

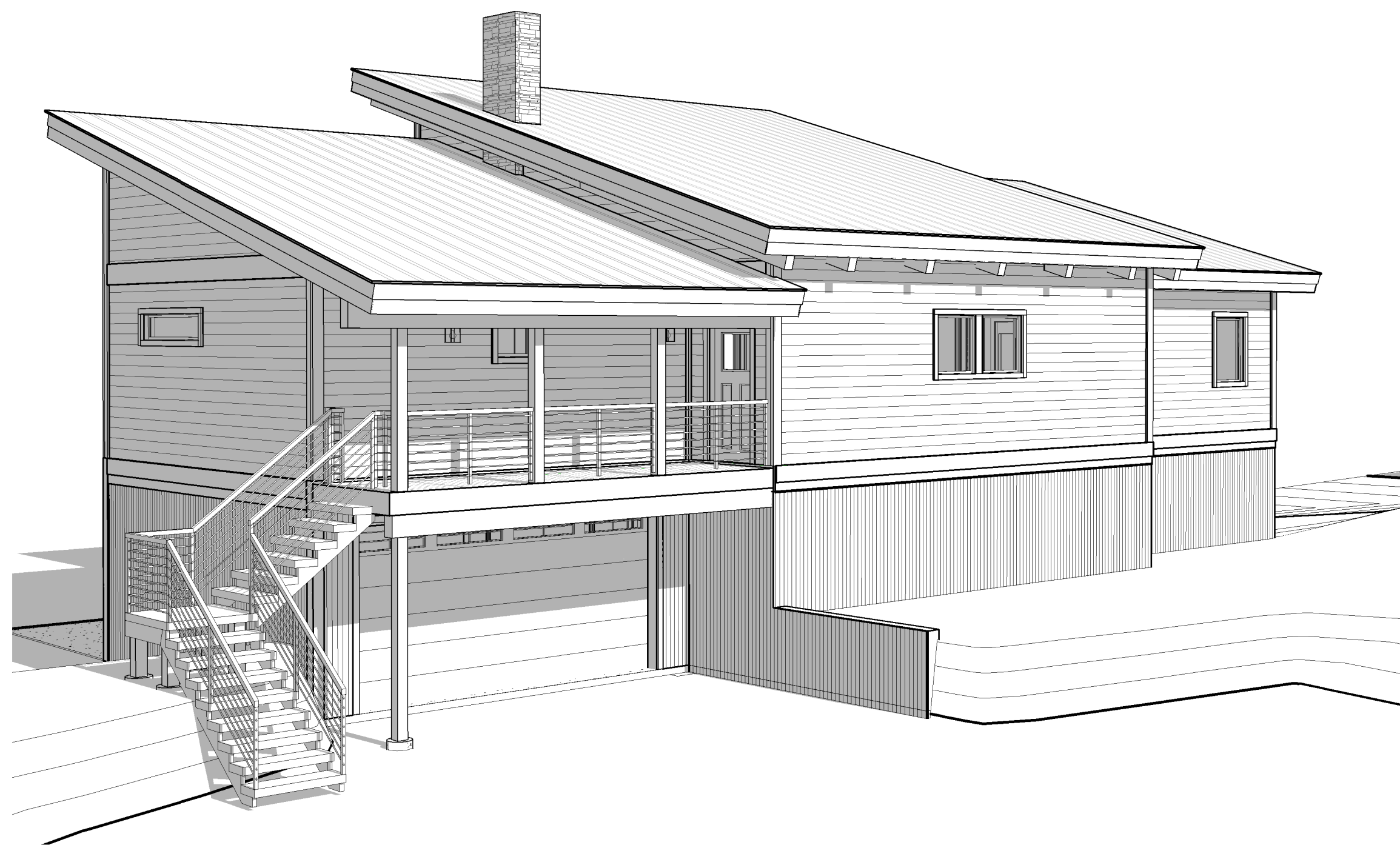


Whisper Creek

By Rocky Mountain Homes



NOTE: WHISPER CREEK LOG HOMES (WCLH) ARE CONSTRUCTED USING NATURAL WOOD PRODUCTS SUBJECT TO DECAY, MAINTENANCE METHODS AND PROCEDURES SET FORTH BY WCLH DOES NOT WARRANTY COMPONENTS INSTALLED LESS THAN 24 INCHES FROM THE GROUND. ANY MATERIAL OR COMPONENTS NOT SPECIFICALLY LISTED IN CONTRACT WITH WCLH ARE TO BE PROVIDED BY THE OWNER CONTRACTOR.



DESIGN CRITERIA

GOVERNING CODES

2018 INTERNATIONAL RESIDENTIAL CODE (IRC)
ASCE/SEI 7-05 MIN DESIGN LOADS FOR BUILDING AND OTHER STRUCTURES

LOADINGS

| | | |
|-------|-------------------|--|
| FLOOR | DEAD LOAD | 12 PSF |
| | LIVE LOAD | 40 PSF |
| ROOF | DEAD LOAD | 15 PSF |
| | LIVE (SNOW) LOAD | 15 PSF |
| | GROUND LOAD | 130 PSF |
| | FLAT ROOF | 100 PSF |
| | EXPOSURE FACTOR | Ce = 1.0 |
| | THERMAL FACTOR | WARM Ct = 1.1 COLD Ct = 1.1 Is = 1.0 |
| | IMPORTANCE FACTOR | |

WIND DESIGN

| | |
|---------------------|----------|
| ULTIMATE WIND SPEED | 115 MPH |
| IMPORTANCE FACTOR | Iw = 1.0 |
| EXPOSURE | C |

SEISMIC

SEISMIC DESIGN CATEGORY B

FROST DEPTH

48"

SOIL

| | |
|--------------------|--------------------------|
| GEOTECHNICAL STUDY | NOT AVAILABLE FOR DESIGN |
| ALLOWABLE BEARING | 1,500 PSF |
| SITE CLASS | D |

WCLH DESIGN CRITERIA
C

ATTENTION:

- SITE PLANS: SITE PLANS SHALL BE PREPARED AND SUBMITTED BY THE OWNER CONTRACTOR AS REQ'D BY THE LOCAL JURISDICTION. ITEMS REQUIRED AND SHOWN MAY INCLUDE BUT ARE NOT LIMITED TO: IDENTIFICATION AND LOCATION OF ALL BUILDINGS, EXISTING AND PROPOSED, LABEL ALL EXISTING AND PROPOSED STREETS, EASEMENTS, FLOOD PLAINS AND ADJACENT PROPERTY LINES (FRONT, REAR, & SIDES.).
- FIRE RESISTIVE CONSTRUCTION: FIRE RESISTIVE CONSTRUCTION AND/OR FIRE SPRINKLER SYSTEMS NOT ADDRESSED ON THESE PLANS AND REQUIRED BY THE LOCAL JURISDICTION AND ADOPTED CODES ARE THE RESPONSIBILITY OF THE OWNER/CONTRACTOR.
- LATERAL DESIGN: BECAUSE OF THE RANDOM AND UNPREDICTABLE NATURE OF WIND AND EARTHQUAKE LOADING EVEN A RELATIVELY COMPLETE ANALYSIS, METHODOLOGY, AND DESIGN CANNOT ENSURE THAT THERE WILL BE NO DAMAGE TO STRUCTURES DURING MAJOR EVENTS. LOCAL ADOPTED CODES ARE BASED ON LIFE SAFETY AND NOT "DAMAGE PROOFING". IT IS EXTREMELY IMPORTANT THAT ATTENTION BE PAID TO THE PLACEMENT OF REINFORCING, HOLDOWN EMBEDS, ETC. IN THE FOUNDATIONS, NAILING OF VERTICAL AND HORIZONTAL SHEATHING (WALLS, FLOORS, AND ROOF) AND TO DETAILING SHOWN ON THE PLANS. PROPER IMPLEMENTATION IS REQUIRED TO ENSURE THE DESIRED DESIGN RESPONSE.
- MODIFICATIONS: STRUCTURAL MODIFICATIONS TO PLANS, FRAMING AND LOADING (DIMENSIONS, MATERIALS, DETAILS, LOCATION AND/ OR SIZE OF OPENINGS IN WALLS, HOT TUB LOADING, ETC.) FROM THAT SHOWN ON THE WCLH PLANS CAN ALTER THE STRUCTURAL PERFORMANCE AND WILL VOID ANY LIABILITY BY WCLH OR A/EOR, WITHOUT ADDITIONAL REVIEW AND ANALYSIS AND PRIOR WRITTEN APPROVAL. NEW AND RELOCATED LOADS CAN CAUSE EXCESSIVE DEFLECTION AND EVEN STRUCTURAL FAILURE. INCREASING THE SIZE, NUMBER OR LOCATION OF OPENINGS IN SHEAR WALLS CAN VARY THE LOADING ON SHEAR PANELS BEYOND THEIR LOAD CARRYING CAPACITIES. THE OWNER AND CONTRACTOR SHALL CAREFULLY REVIEW PLANS AND SPECIFICATIONS PRIOR TO INITIATION OF CONSTRUCTION.
- SOILS INVESTIGATION: WHERE REQUIRED BY THE LOCAL SITE CONDITIONS OR JURISDICTION A GEOTECHNICAL INVESTIGATION (SOILS REPORT) SHALL BE PREPARED BY A QUALIFIED PROFESSIONAL AND SUBMITTED TO THE A/EOR BY THE OWNER/CONTRACTOR FOR REVIEW AND INCORPORATED INTO THE DESIGN. WHEN EXPANSIVE OR COLLAPSE SENSITIVE SOILS ARE PRESENT SPECIAL PROVISIONS MAY BE REQUIRED IN THE FOUNDATION DESIGN. ADDITIONAL FEES WILL BE WARRANTED.

SHEET LIST

| SHEET# | SHEET NAME |
|---------------|-------------------------|
| COVER | |
| A0.0 | COVER SHEET |
| ARCHITECTURAL | |
| A1.0 | WALKOUT PLAN |
| A1.1 | MAIN FLOOR PLAN |
| A2.0 | FRONT & RIGHT ELEVATION |
| A2.1 | BACK & LEFT ELEVATION |
| A3.0 | SCHEDULES |
| A4.0 | COMPONENT ISOMETRIC |
| A5.0 | SECTIONS |
| A5.1 | SECTIONS |
| AG.0 | FRAMING DETAILS |
| AG.1 | FRAMING DETAILS |
| STRUCTURAL | |
| S1.0 | FOUNDATION PLAN |
| S2.0 | MAIN FLOOR FRAMING PLAN |
| S3.0 | ROOF FRAMING PLAN |
| S4.0 | STRUCTURAL DETAILS |
| S4.01 | BRACKET DETAILS |

AREA SCHEDULE

| NAME | AREA |
|-------------|----------------|
| HEATED | |
| MAIN LIVING | 1 600 SF |
| WALK OUT | 1 200 SF |
| GARAGE | 400 SF |
| | 3200 SF |

PLAN NO.: 7014-000
COVER SHEET
SHEET NO.: A0.0

Whisper Creek
By Rocky Mountain Homes
1883 Highway 93 South
Hamilton, MT 59840
ph. 406.363.5680
fx. 406.363.6537
wclhdesign@rnmh.com

THESE PLANS, DRAWINGS, AND DESIGNS ARE THE PROPERTY OF WHISPER CREEK LOG HOMES (WCLH). ALL RIGHTS RESERVED AND SHALL NOT BE REPRODUCED OR COPIED WITHOUT THE EXPRESSED WRITTEN CONSENT FROM AN OFFICER OF WCLH. UNDER PENALTY OF PROSECUTION THESE PLANS ARE RELEASED FOR CONSTRUCTION ON THE SITE DESCRIBED HEREON AND NO OTHER.

THESE DESIGNS AND DETAILS ARE BASED ON MANY YEARS OF CONSTRUCTION DESIGN, AND ENGINEERING PRACTICE IN NUMEROUS DIVERSE JURISDICTIONS. THE PURPOSE IS TO PROVIDE A BASIS FOR THE DESIGNS INCORPORATED IN WHISPER CREEK LOG HOMES (WCLH). HOWEVER, IT IS THE RESPONSIBILITY OF THE OWNER TO CONSULT WITH ARCHITECT OR ENGINEER OF RECORD (E.O.R.) TO REVIEW AND VERIFY ANY AND ALL OF THE ASSUMPTIONS MADE AND DESIGNS PRESENTED. WCLH MAKES NO WARRANTY OR GUARANTEE AS TO THE FINAL SITE SPECIFIC APPLICABILITY OF THE DESIGN. ANY AND ALL PROPOSED CHANGES BY THE E.O.R. SHALL BE COORDINATED WITH WCLH. ALL CHANGES MUST BE APPROVED IN WRITING BY WCLH. IF APPROVED, ALL CHANGES WILL RESULT IN ADDITIONAL COSTS AND MAY REQUIRE MODIFICATIONS TO THE PLANS AND WALLS.

ARCHITECT/ENGINEER OF RECORD:

REVISIONS
No. By: Date:

PROJECT NAME:
SUMMIT

OWNER:
JUSTIN MEYER

ADDRESS:
**CABIN SITE 66
SAN MIGUEL COUNTY, CO**

DRAWING TITLE:
COVER SHEET

PROJECT NO.:
7014-000
DRAWN BY: JCF
CHECKED BY: **MANAGER**
DATE: 10/16/2020 11:58:15 AM
SHEET NO.:
A0.0

WALKOUT PLAN NOTES

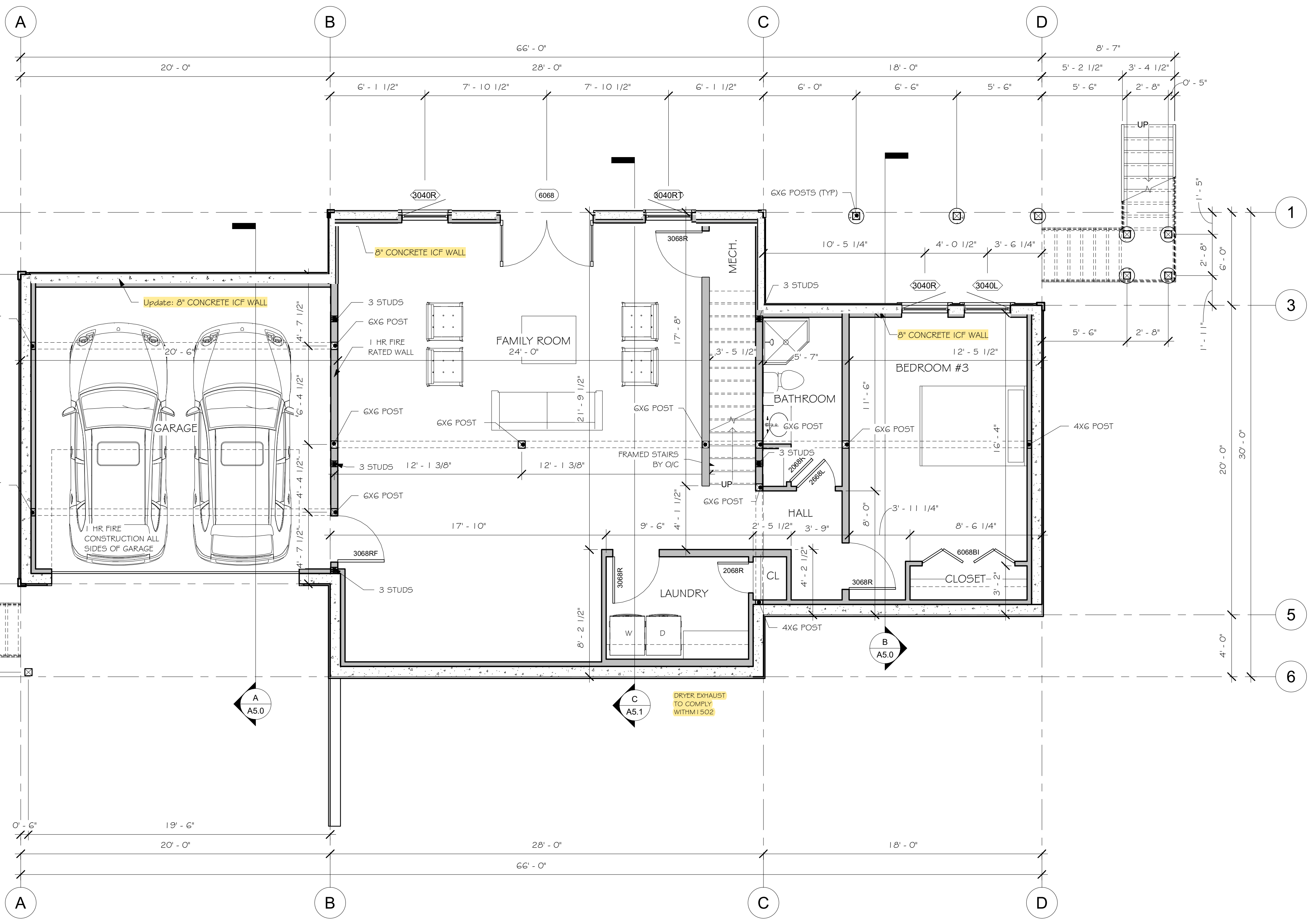
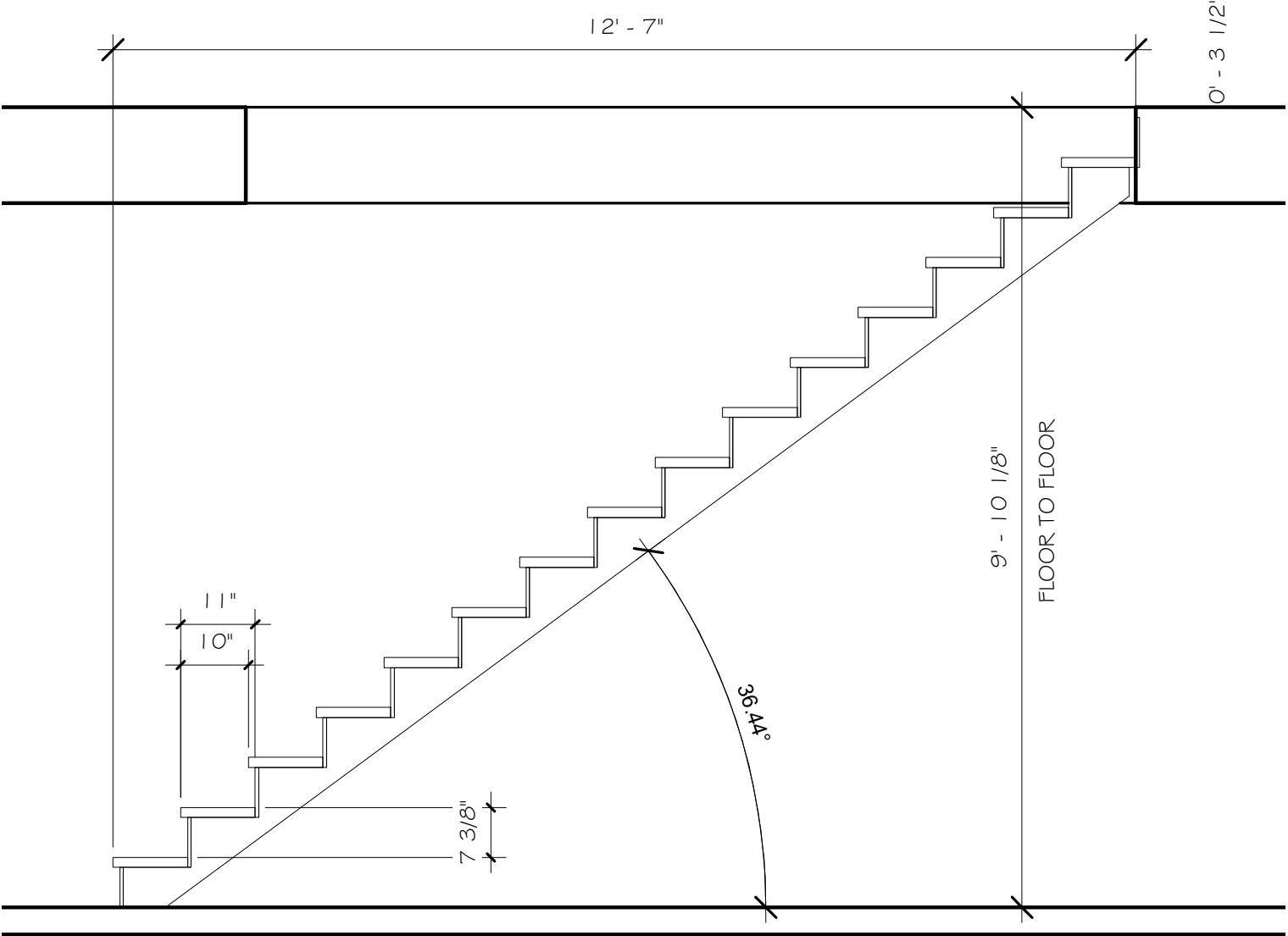
- CONTRACTOR SHALL VERIFY ALL DIMENSIONS & CONDITIONS SHOWN ON THESE PLANS AND W/ BUILDING SITE PRIOR TO COMMENCING ANY WORK ON PROJECT.
- ALL EXTERIOR WALLS ARE DIMENSIONED TO THE FACE OF SHEATHING OR FOUNDATION. ALL INTERIOR WALLS ARE DIMENSIONED TO THE FACE OF STUDS.
- PROVIDE WINDOW WELLS AS REQUIRED BY FINISH GRADE. (CONTRACTOR TO VERIFY). SEE WINDOW WELL DETAIL.
- BASEMENTS ENCLOSING CONDITIONED SPACE SHALL BE INSULATED.
- UNFINISHED AND FINISHED SPACES SHALL BE SEPARATED BY A DOOR.

ABBREVIATIONS

- O/C INDICATES BUILDING COMPONENT PROVIDED BY OWNER/CONTRACTOR
 WC INDICATES BUILDING COMPONENT PROVIDED BY WHISPER CREEK LOG HOMES
 A/EOR INDICATES ARCHITECT/ENGINEER OF RECORD

GARAGE NOTES

- OPENING PROTECTION:** DOORS LEADING FROM A DWELLING TO A GARAGE SHALL BE 1-3/8 INCH MIN, SOLID WOOD OR STEEL OR HONEYCOMB CORE STEEL DOORS, OR 20-MINUTE LABELED FIRE-RATED SELF CLOSING, TIGHT FITTING DOORS. DIRECT OPENINGS FROM GARAGE TO SLEEPING ROOMS ARE NOT PERMITTED.
- FIRE SEPARATION:** 1/2 INCH GYPSUM WALL BOARD BETWEEN THE GARAGE AND RESIDENCE EXTENDING TO GABLE PEAK OR THE RESIDENCE SIDEWALL AND GARAGE BENEATH HABITABLE ROOMS SHALL BE SEPARATED FROM ALL HABITABLE ROOMS BY NO LESS THAN 5/8-INCH TYPE X GYPSUM BOARD OR EQUIVALENT ON CEILING, 1/2-INCH GYPSUM ON ALL SUPPORTING STRUCTURE. OPENINGS BETWEEN THE GARAGE AND RESIDENCE SHALL BE EQUIPPED WITH A 1-3/8-INCH-THICK SOLID OR A 20-MINUTE FIRE RATED DOOR.
- ELECTRICAL PANELS:** ELECTRICAL PANELS SHALL NOT PENETRATE THE GARAGE SIDE GYPSUM BOARD MEMBRANE OR SHALL BE WRAPPED WITH 5/8 INCH TYPE "X" GYPSUM BOARD ON THE TOP, BOTTOM, SIDES AND BACK.
- SLOPED FLOOR:** GARAGE FLOORS SHALL BE SLOPED TO DRAIN TO THE GARAGE DOOR.
- ATTIC ACCESS:** WHEN REQUIRED PROVIDE ATTIC ACCESS DOORS (22 INCH X 30 INCH MIN OPENING) WITH A 30 INCH MIN UNOBSTRUCTED HEADROOM. ACCESS DOOR SHALL BE A MIN OF 20 MINUTE RATED WITH LABEL, OR EQUIVALENT CONSTRUCTION WITH POSITIVE LATCH AND HINGE.
- APPLIANCES IN GARAGE:** PROVIDE PROTECTION FROM AUTOMOTIVE IMPACT. APPLIANCES HAVING AN IGNITION SOURCE SHALL BE ELEVATED SUCH THAT THE SOURCE IS NOT LESS THAN 18 INCH ABOVE THE GARAGE FLOOR.
- PENETRATIONS:** PLUMBING PENETRATIONS THROUGH GARAGE WALL SHALL BE WITH METAL PIPING. INCLUDING WASTE LINES, VACUUM LINES, ETC. AN APPROVED FIRE STOP MATERIAL MUST BE USED. DUCT PENETRATIONS SHALL BE BY MIN 26 GAUGE SHEET METAL, WITH ANY OPENINGS INTO THE GARAGE PROTECTED BY FIRE DAMPERS. NO WINDOWS ARE PERMITTED IN GARAGE FIRE WALL OR IN DOOR BETWEEN THE HOUSE AND GARAGE.
- ELECTRICAL OUTLETS:** FIRE-RESISTIVE WALLS AND PARTITIONS MAY HAVE OPENINGS FOR STEEL ELECTRICAL OUTLET BOXES NOT EXCEEDING 16 SQUARE INCHES IN AREA, PROVIDED THE AGGREGATE AREA OF SUCH OPENINGS IS NOT MORE THAN 100 SQUARE INCHES FOR ANY 100 SQUARE FEET OF WALL OR PARTITION AREA. OUTLET BOXES ON OPPOSITE SIDES OF WALLS AND PARTITIONS SHALL BE SEPARATED BY A HORIZONTAL DISTANCE OF AT LEAST 24 INCHES. ELECTRICAL BOXES IN WALL BETWEEN HOUSE AND GARAGE SHALL BE STEEL OR RATED FOR AT LEAST 1-HOUR CONSTRUCTION BY AN APPROVED TESTING AGENCY.



WALK OUT PLAN
 1/4" = 1'-0"

PLAN NO.: 7014-000
A1.0

Whisper Creek
 By Rocky Mountain Homes
 1983 Highway 93 South
 Hamilton, MT 59840
 ph. 406.363.5680
 fx. 406.363.6537
 wchdesign@rmtlh.com

THESE PLANS, DRAWINGS, AND DESIGNS ARE THE PROPERTY OF WHISPER CREEK LOG HOMES (WCLH). ALL RIGHTS RESERVED AND SHALL NOT BE REPRODUCED OR COPIED WITHOUT THE EXPRESSED WRITTEN CONSENT FROM AN OFFICER OF WCLH. UNDER PENALTY OF PROSECUTION, THESE PLANS ARE RELEASED FOR CONSTRUCTION ON THE SITE DESCRIBED HEREON AND NO OTHER.

THESE DESIGNS AND DETAILS ARE BASED ON MANY YEARS OF CONSTRUCTION DESIGN, AND ENGINEERING PRACTICE IN NUMEROUS DIVERSE JURISDICTIONS. THE PURPOSE IS TO PROVIDE A BASIS FOR THE DESIGNS INCORPORATED IN WHISPER CREEK LOG HOMES (WCLH). HOWEVER, IT IS THE RESPONSIBILITY OF THE OWNER TO CONSULT WITH ARCHITECT OR ENGINEER OF RECORD (E.O.R.) TO REVIEW AND VERIFY ANY AND ALL OF THE ASSUMPTIONS MADE AND DESIGNS PRESENTED. WCLH MAKES NO WARRANTY OR GUARANTEE AS TO THE FINAL SITE SPECIFIC APPLICABILITY OF THE DESIGN. ANY AND ALL PROPOSED CHANGES BY THE E.O.R. SHALL BE COORDINATED WITH WCLH. ALL CHANGES MUST BE APPROVED IN WRITING BY WCLH. IF APPROVED, ALL CHANGES WILL RESULT IN ADDITIONAL COSTS AND MAY REQUIRE MODIFICATIONS TO THE PLANS AND WALLS.

ARCHITECT/ENGINEER OF RECORD:

| REVISIONS | No. | By: | Date: |
|-----------|-----|-----|-------|
| | | | |

PROJECT NAME:
SUMMIT

OWNER:
JUSTIN MEYER

ADDRESS:
**CABIN SITE 66
 SAN MIGUEL COUNTY, CO**

DRAWING TITLE:
WALKOUT PLAN

PROJECT NO.: **7014-000**
 DRAWN BY: JCF
 CHECKED BY: **MANAGER**
 DATE: 10/16/2020 11:58:16 AM
 SHEET NO.: **A1.0**

10/16/2020 11:58:16 AM
 H:\Tools\Manual\Consulting\Work\Bobby Mountain Homes\WCLH_Finished\Projects\2020\7014\WCLH-Summit\Review\Myer-Summit_2021.rvt

FLOOR PLAN NOTES

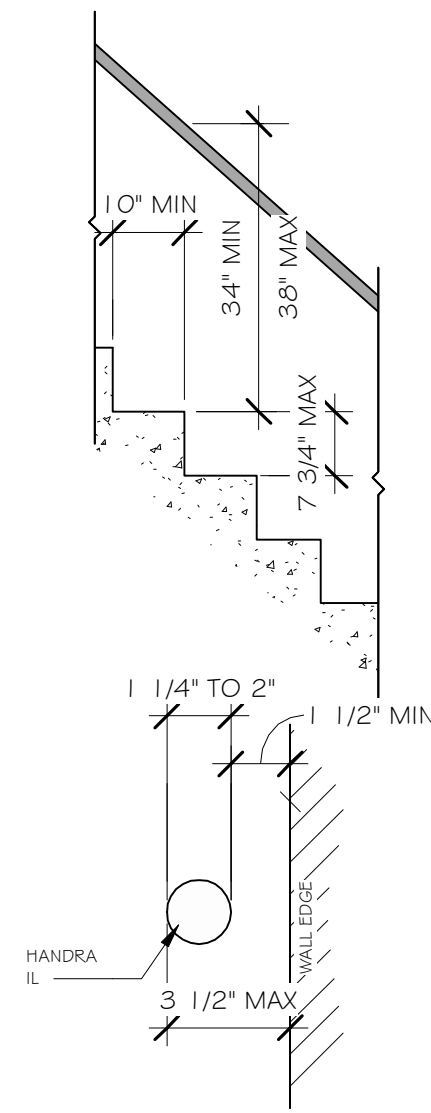
- CONTRACTOR WILL VERIFY ALL DIMENSIONS & CONDITIONS SHOWN ON THESE PLANS AND W/ BUILDING SITE PRIOR TO COMMENCING ANY WORK ON PROJECT.
- ALL EXTERIOR WALLS ARE DIMENSIONED TO THE FACE OF SHEATHING OR FOUNDATION. ALL INTERIOR WALLS ARE DIMENSIONED TO THE FACE OF STUDS.
- THERE SHALL BE A FLOOR OR LANDING ON EACH SIDE OF EXTERIOR DOORS. WIDTH NOT LESS THAN THE DOOR SERVED. MIN DIMENSION 36 INCH MEASURED IN THE DIRECTION OF TRAVEL.

ABBREVIATIONS

- O/C INDICATES BUILDING COMPONENT PROVIDED BY OWNER/CONTRACTOR
- WC INDICATES BUILDING COMPONENT PROVIDED BY WHISPER CREEK LOG HOMES
- AEOR INDICATES ARCHITECT/ENGINEER OF RECORD

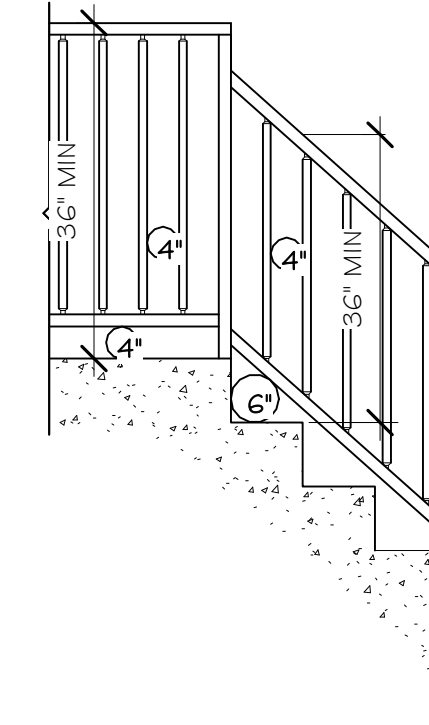
HANDRAIL NOTES:

- RESIDENTIAL STAIRS REQUIRE HANDRAILS ON A MINIMUM OF ONE SIDE.
- HANDRAIL SHALL BE CONTINUOUS THE FULL LENGTH OF THE STAIRS WITH ENDS RETURNED TO NEWEL POST OR WALL.
- THE HANDGRIP PORTION OF THE HANDRAILS SHALL NOT BE LESS THAN 1 1/4" INCHES NOR MORE THAN 2 INCHES IN CROSS-SECTIONAL DIMENSION OR THE SHAPE SHALL PROVIDE AN EQUIVALENT GRIPPING SURFACE. THE HANDGRIP PORTION OF THE HANDRAILS SHALL HAVE A SMOOTH SURFACE WITH NO SHARP CORNERS. HANDRAILS PROJECT FROM A WALL SHALL HAVE A SPACE OF NOT LESS THAN 1 1/2 INCHES BETWEEN THE HANDRAIL AND ANY ABUTTING CONSTRUCTION SO AS TO AVOID INJURY TO FINGERS.



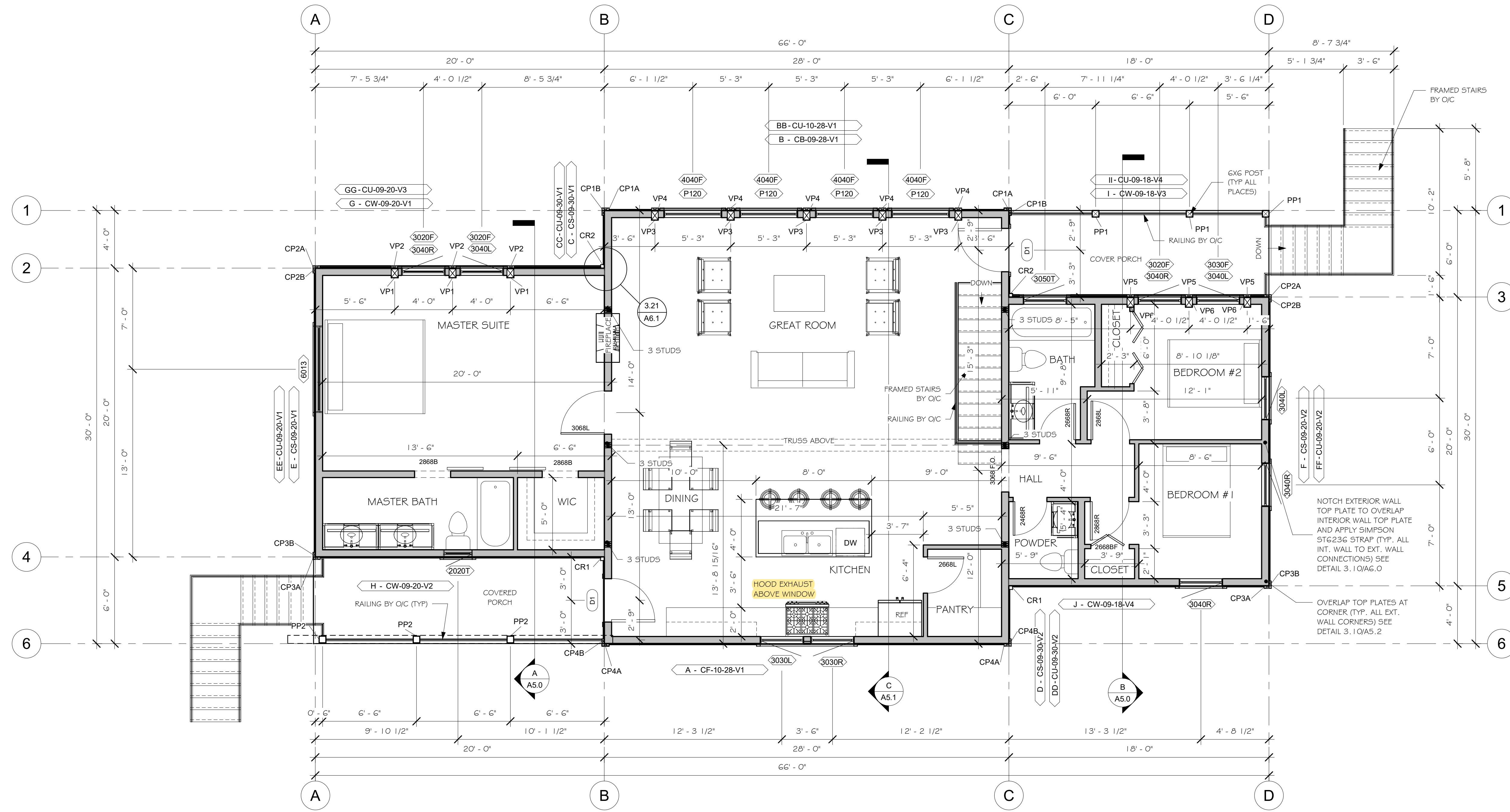
GUARDRAIL NOTES:

- 36" (MIN) HIGH GUARDRAILS ARE REQUIRED FOR UNENCLOSED FLOOR AND ROOF OPENINGS, OPEN AND GLAZED SIDES OF STAIRWAYS, LANDINGS, DECKS, RAMPS, AND PORCHES, WHICH ARE MORE THAN 30 INCHES ABOVE GRADE OR A FLOOR OR OTHER SURFACE BELOW.
- OPEN GUARDRAILS SHALL HAVE INTERMEDIATE RAIL SPACING OR PATTERN SUCH THAT A 4-INCH SPHERE CANNOT PASS THROUGH AND THE TRIANGULAR AREA FORMED BY TREAD, RISER AND GUARDRAIL SO THAT 6-INCH SPHERE CANNOT PASS THROUGH



STAIRWAY NOTES:

- STAIRWAYS SHALL NOT BE LESS THAN 36 INCHES IN WIDTH.
- THE RISE OF STEPS SHALL NOT BE LESS THAN 4 INCHES OR GREATER THAN 7-3/4 INCHES. THE GREATEST RISER HEIGHT WITHIN ANY FLIGHT OF STAIRS SHALL NOT EXCEED THE SMALLEST BY MORE THAN 3/8 INCH.
- THE RUN SHALL NOT BE LESS THAN 11 INCHES AS MEASURED HORIZONTALLY BETWEEN THE VERTICAL PLANES OF THE FURTHER MOST PROJECTION OF ADJACENT TREADS. THE LARGEST TREAD RUN WITHIN ANY FLIGHT OF STAIRS SHALL NOT EXCEED THE SMALLEST BY 3/8 INCH.
- WINDER TREADS SHALL HAVE A MINIMUM OF TREAD DEPTH OF 10" MEASURED AT A POINT 1 2" FROM THE NARROW SIDE OF THE TREAD, AND HAVE A MINIMUM DEPTH OF 6". WITHIN ANY FLIGHT OF STAIRS THE GREATEST WINDER TREAD DEPTH AT THE 1 2" WALK LINE SHALL NOT EXCEED THE SMALLEST BY MORE THAN 3/8".



MAIN FLOOR PLAN

1/4" = 1'-0"

PLAN NO: 7014-000
SHEET NO: A1.1
SHEET TITLE: MAIN FLOOR PLAN

Whisper Creek
By Rocky Mountain Homes
1983 Highway 93 South
Hamilton, MT 59840
ph. 406.363.5680
fx. 406.363.6537
wchdesign@rmtlh.com

THESE PLANS, DRAWINGS, AND DESIGNS ARE THE PROPERTY OF WHISPER CREEK LOG HOMES (WCLH). ALL RIGHTS RESERVED AND SHALL NOT BE REPRODUCED OR COPIED WITHOUT THE EXPRESSED WRITTEN CONSENT FROM AN OFFICER OF WCLH. UNDER PENALTY OF PROSECUTION THESE PLANS ARE RELEASED FOR CONSTRUCTION ON THE SITE DESCRIBED HEREON AND NO OTHER.

THESE DESIGNS AND DETAILS ARE BASED ON MANY YEARS OF CONSTRUCTION DESIGN, AND ENGINEERING PRACTICE IN NUMEROUS DIVERSE JURISDICTIONS. THE PURPOSE IS TO PROVIDE A BASIS FOR THE DESIGNS INCORPORATED IN WHISPER CREEK LOG HOMES (WCLH). HOWEVER, IT IS THE RESPONSIBILITY OF THE OWNER TO CONSULT WITH ARCHITECT OR ENGINEER OF RECORD (E.O.R.) TO REVIEW AND VERIFY ANY AND ALL OF THE ASSUMPTIONS MADE AND DESIGNS PRESENTED. WCLH MAKES NO WARRANTY OR GUARANTEE AS TO THE FINAL SITE SPECIFIC APPLICABILITY OF THE DESIGN. ANY AND ALL PROPOSED CHANGES BY THE E.O.R. SHALL BE COORDINATED WITH WCLH. ALL CHANGES MUST BE APPROVED IN WRITING BY WCLH. IF APPROVED, ALL CHANGES WILL RESULT IN ADDITIONAL COSTS AND MAY REQUIRE MODIFICATIONS TO THE PLANS AND WALLS.

ARCHITECT/ENGINEER OF RECORD:
SUMMIT

| No. | By: | Date: |
|-----|-----|-------|
| | | |

PROJECT NAME:
SUMMIT

OWNER:
JUSTIN MEYER

ADDRESS:
**CABIN SITE 66
SAN MIGUEL COUNTY, CO**

DRAWING TITLE:
MAIN FLOOR PLAN

PROJECT NO: 7014-000
DRAWN BY: JCF
CHECKED BY: MANAGER
DATE: 10/16/2020 11:58:17 AM
SHEET NO: A1.1

10/16/2020 11:58:17 AM H:\Work\Main\Consulting\Work\Rocky Mountain Homes\WCLH_Finished\Projects\2020\Justin Meyer - Summit\Rev\Main\Summit_2021.rvt

FILE PATH: H:\Work\Main\Consulting\Work\Rocky Mountain Homes\WCLH_Finished\Projects\2020\Justin Meyer - Summit\Rev\Main\Summit_2021.rvt

ELEVATION NOTES

- CONTRACTOR WILL VERIFY ANY AND ALL STEPS IN FOOTINGS & FOUNDATION AS REQUIRED BY EXISTING FINISH GRADES.
- MODIFICATIONS TO THE STRUCTURE MUST BE APPROVED BY THE AEOR IN WRITING PRIOR TO MAKING ANY CHANGES. GRADES INDICATED ARE APPROXIMATE AND MAY BE MODIFIED SUBJECT TO FINAL SITE CONDITIONS. DRAINAGE AWAY FROM THE STRUCTURE MUST BE MAINTAINED.
- LOTS SHALL BE GRADED TO DRAW SURFACE WATER AWAY FROM FOUNDATION WALLS. THE GRADE SHALL FALL A MINIMUM OF 6 INCHES WITHIN THE FIRST 10 FEET.
- CONTRACTOR TO INSTALL SNOW STOPS ON ROOF.

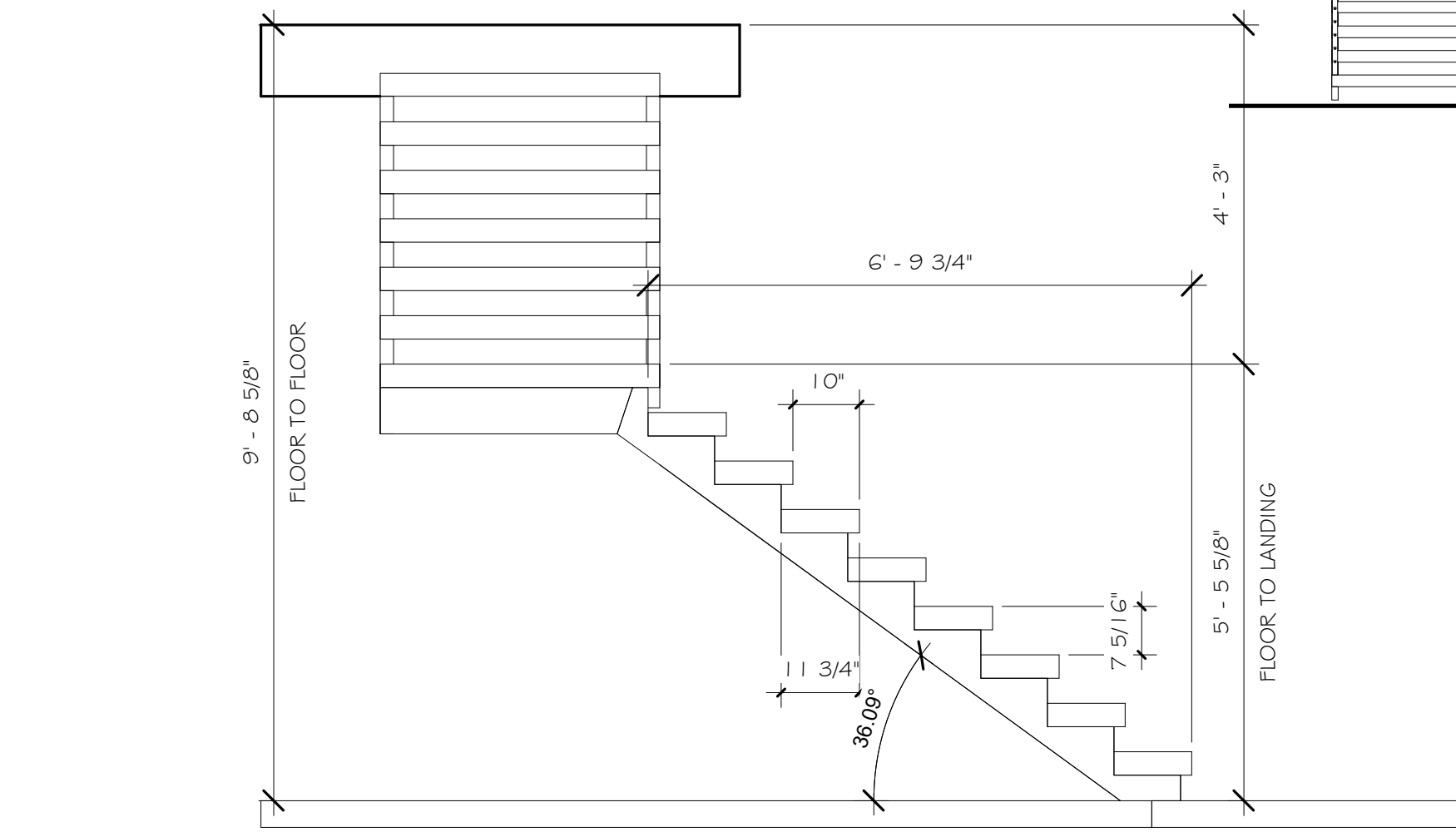
ABBREVIATIONS

- O/C INDICATES BUILDING COMPONENT PROVIDED BY OWNER/CONTRACTOR
 WC INDICATES BUILDING COMPONENT PROVIDED BY WHISPER CREEK LOG HOMES
 AEOR INDICATES ARCHITECT/ENGINEER OF RECORD

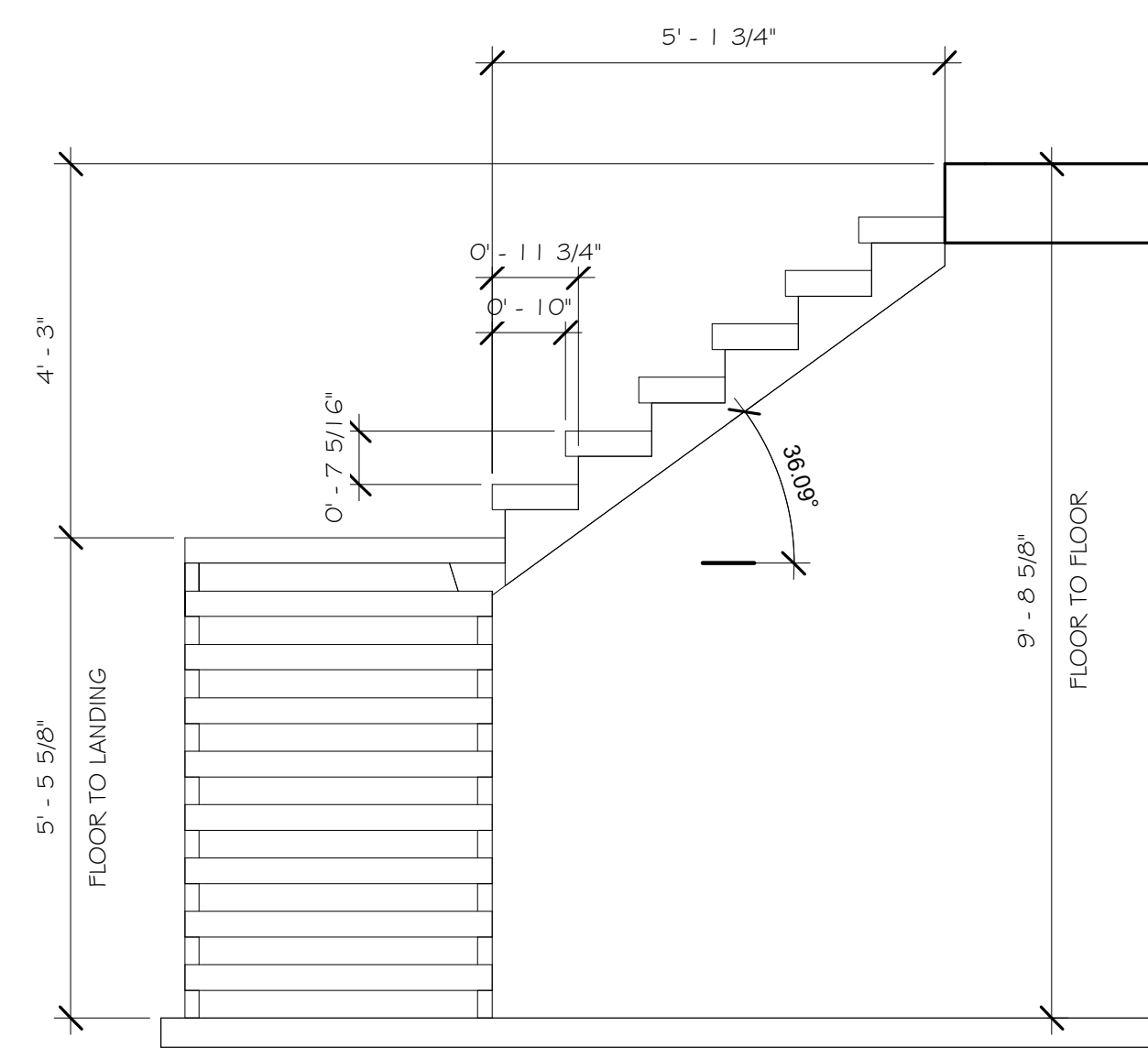
NOTES

EXTERIOR: ROOF AND ALL GROUND LEVEL EXTERIOR WILL BE 100% METAL AND R328 WILDFIRE RESISTENT MATERIALS. REMAINING EXTERIOR SURFACES WILL BE A MIX OF REAL WOOD SIDING AND METAL.

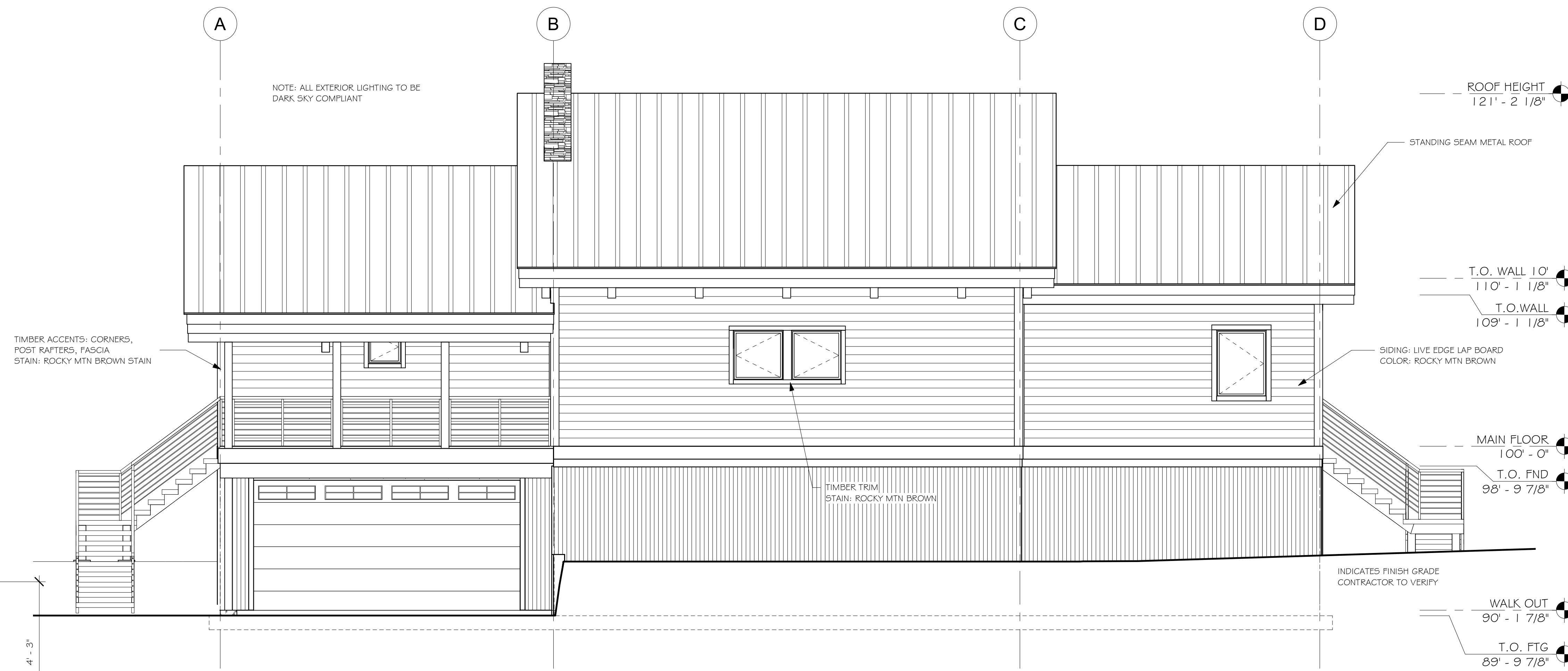
EACH SLEEPING AREA, OUTSIDE EACH SLEEPING AREA, AND HABITABLE AREAS WILL HAVE AN INTERCONNECTED LISTED SMOKE + CO ALARM INSTALLED TO COMPLY WITH R314.2 ALSO INTEGRATING WITH A MONITORED SYSTEM PER TELLURIDE FDS REQUEST



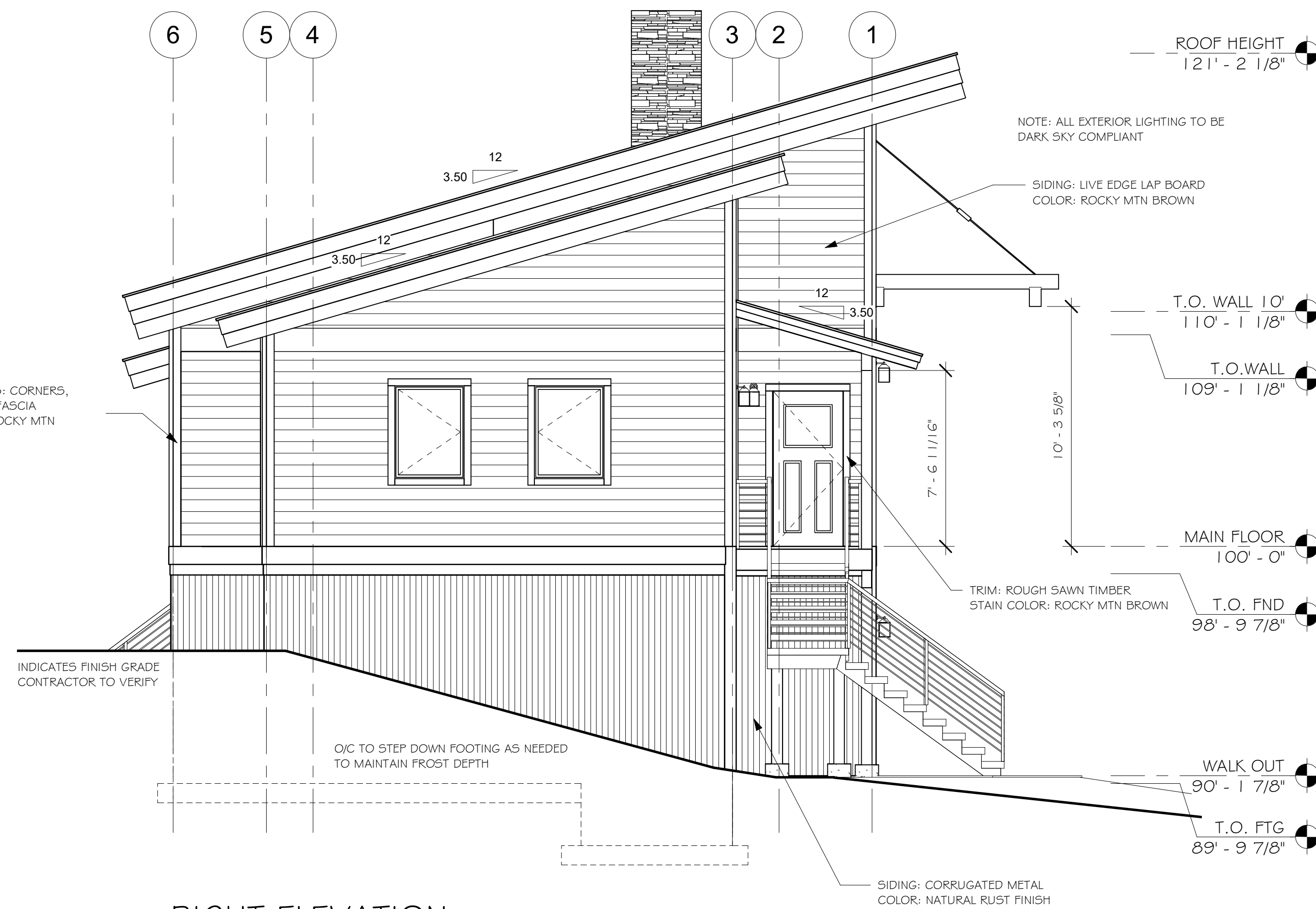
3 EXTERIOR STAIR SECTION - BOTTOM
 1/2" = 1'-0"



4 EXTERIOR STAIRS SECTION - TOP
 1/2" = 1'-0"



FRONT ELEVATION
 1/4" = 1'-0"



RIGHT ELEVATION
 1/4" = 1'-0"

PLAN NO.: 7014-000
FRONT & RIGHT ELEVATION
 SHEET NO.: **A2.0**

Whisper Creek
 By Rocky Mountain Homes
 1983 Highway 93 South
 Hamilton, MT 59840
 ph. 406.363.6680
 fx. 406.363.6537
 wclhdesign@rmtlh.com

THESE PLANS, DRAWINGS, AND DESIGNS ARE THE PROPERTY OF WHISPER CREEK LOG HOMES (WCLH). ALL RIGHTS RESERVED AND SHALL NOT BE REPRODUCED OR COPIED WITHOUT THE EXPRESSED WRITTEN CONSENT FROM AN OFFICER OF WCLH. UNDER PENALTY OF PROSECUTION THESE PLANS ARE RELEASED FOR CONSTRUCTION ON THE SITE DESCRIBED HEREON AND NO OTHER.

THESE DESIGNS AND DETAILS ARE BASED ON MANY YEARS OF CONSTRUCTION DESIGN, AND ENGINEERING PRACTICE IN NUMEROUS DIVERSE JURISDICTIONS. THE PURPOSE IS TO PROVIDE A BASIS FOR THE DESIGNS INCORPORATED IN WHISPER CREEK LOG HOMES (WCLH). HOWEVER, IT IS THE RESPONSIBILITY OF THE OWNER TO CONSULT WITH ARCHITECT OR ENGINEER OF RECORD (E.O.R.) TO REVIEW AND VERIFY ANY AND ALL OF THE ASSUMPTIONS MADE AND DESIGNS PRESENTED. WCLH MAKES NO WARRANTY OR GUARANTEE AS TO THE FINAL SITE SPECIFIC APPLICABILITY OF THE DESIGN. ANY AND ALL PROPOSED CHANGES BY THE E.O.R. SHALL BE COORDINATED WITH WCLH. ALL CHANGES MUST BE APPROVED IN WRITING BY WCLH. IF APPROVED, ALL CHANGES WILL RESULT IN ADDITIONAL COSTS AND MAY REQUIRE MODIFICATIONS TO THE PLANS AND WALLS.

ARCHITECT/ENGINEER OF RECORD:

| REVISIONS | | |
|-----------|-----|-------|
| No. | By: | Date: |
| | | |
| | | |

PROJECT NAME:
SUMMIT

OWNER:
JUSTIN MEYER

ADDRESS:
**CABIN SITE 66
 SAN MIGUEL COUNTY, CO**

DRAWING TITLE:
FRONT & RIGHT ELEVATION

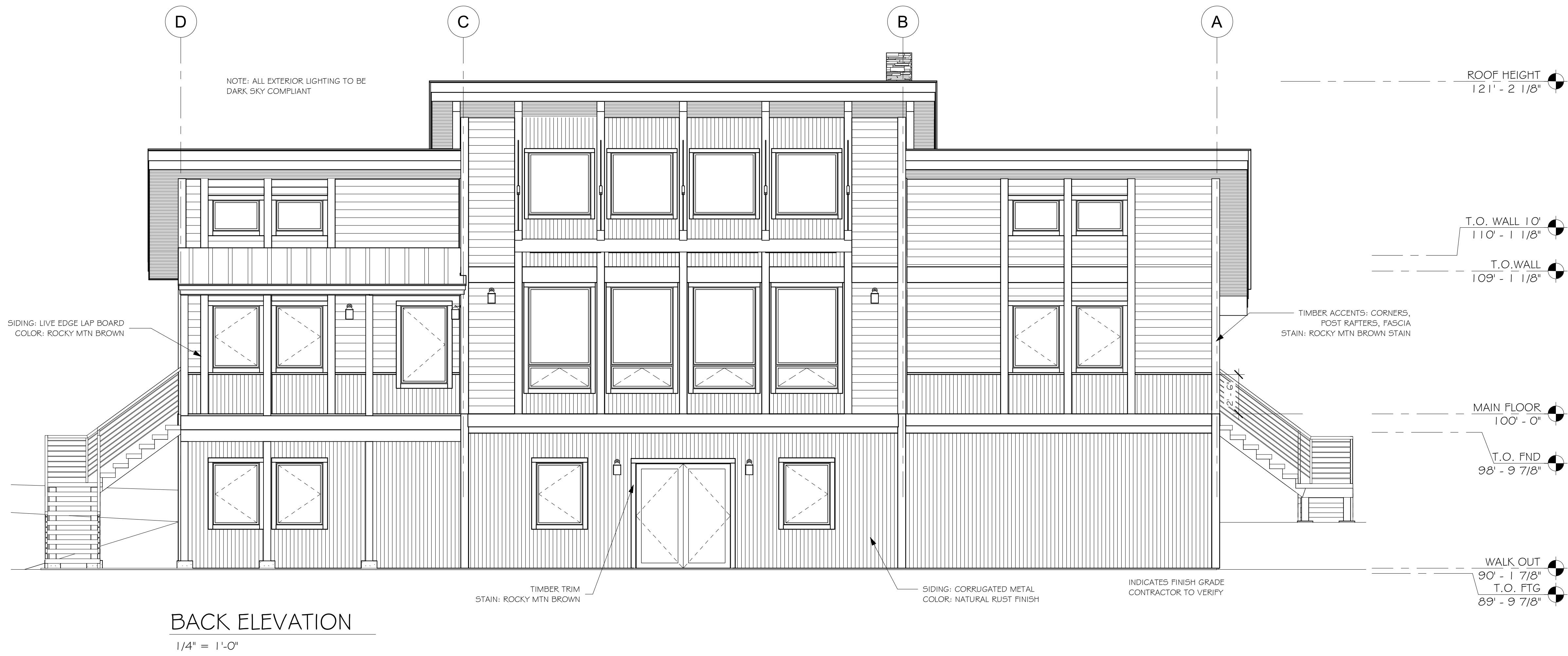
PROJECT NO.: **7014-000**
 DRAWN BY: JCF
 CHECKED BY: **MANAGER**
 DATE: 10/16/2020 11:58:18 AM
 SHEET NO.: **A2.0**

ELEVATION NOTES

1. CONTRACTOR WILL VERIFY ANY AND ALL STEPS IN FOOTINGS & FOUNDATION AS REQUIRED BY EXISTING FINISH GRADES.
2. MODIFICATIONS TO THE STRUCTURE MUST BE APPROVED BY THE A/EOR IN WRITING PRIOR TO MAKING ANY CHANGES. GRADES INDICATED ARE APPROXIMATE AND MAY BE MODIFIED SUBJECT TO FINAL SITE CONDITIONS. DRAINAGE AWAY FROM THE STRUCTURE MUST BE MAINTAINED.
3. LOTS SHALL BE GRADED TO DRAW SURFACE WATER AWAY FROM FOUNDATION WALLS. THE GRADE SHALL FALL A MINIMUM OF 6 INCHES WITHIN THE FIRST 10 FEET.
4. CONTRACTOR TO INSTALL SNOW STOPS ON ROOF.

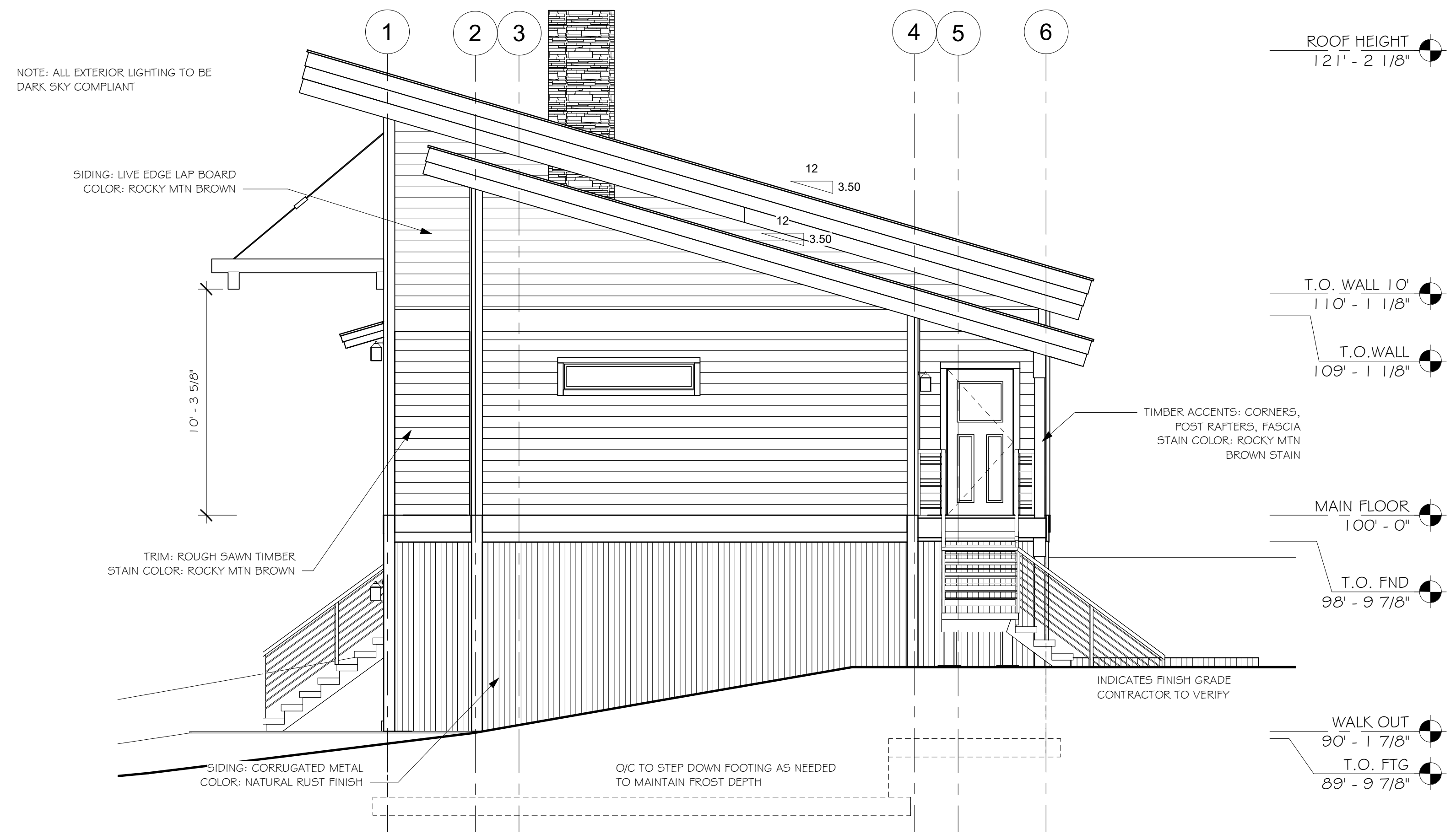
ABBREVIATIONS

- O/C INDICATES BUILDING COMPONENT PROVIDED BY OWNER/CONTRACTOR
 WC INDICATES BUILDING COMPONENT PROVIDED BY WHISPER CREEK LOG HOMES
 A/EOR INDICATES ARCHITECT/ENGINEER OF RECORD



BACK ELEVATION

1/4" = 1'-0"



LEFT ELEVATION

1/4" = 1'-0"

PLAN NO.: 7014-000
 SHEET TITLE: BACK & LEFT ELEVATION
 SHEET NO.: A2.1

Whisper Creek
 By Rocky Mountain Homes
 1893 Highway 93 South
 Hamilton, MT 59840
 ph. 406.363.5680
 fx. 406.363.6537
 wchdesign@rmtlh.com

THESE PLANS, DRAWINGS, AND DESIGNS ARE THE PROPERTY OF WHISPER CREEK LOG HOMES (WCLH). ALL RIGHTS RESERVED AND SHALL NOT BE REPRODUCED OR COPIED WITHOUT THE EXPRESSED WRITTEN CONSENT FROM AN OFFICER OF WCLH. UNDER PENALTY OF PROSECUTION, THESE PLANS ARE RELEASED FOR CONSTRUCTION ON THE SITE DESCRIBED HEREON AND NO OTHER.

THESE DESIGNS AND DETAILS ARE BASED ON MANY YEARS OF CONSTRUCTION DESIGN, AND ENGINEERING PRACTICE IN NUMEROUS DIVERSE JURISDICTIONS. THE PURPOSE IS TO PROVIDE A BASIS FOR THE DESIGNS INCORPORATED IN WHISPER CREEK LOG HOMES (WCLH). HOWEVER, IT IS THE RESPONSIBILITY OF THE OWNER TO CONSULT WITH ARCHITECT OR ENGINEER OF RECORD (E.O.R.) TO REVIEW AND VERIFY ANY AND ALL OF THE ASSUMPTIONS MADE AND DESIGNS PRESENTED. WCLH MAKES NO WARRANTY OR GUARANTEE AS TO THE FINAL SITE SPECIFIC APPLICABILITY OF THE DESIGN. ANY AND ALL PROPOSED CHANGES BY THE E.O.R. SHALL BE COORDINATED WITH WCLH. ALL CHANGES MUST BE APPROVED IN WRITING BY WCLH. IF APPROVED, ALL CHANGES WILL RESULT IN ADDITIONAL COSTS AND MAY REQUIRE MODIFICATIONS TO THE PLANS AND WALLS.

ARCHITECT/ENGINEER OF RECORD:

| REVISIONS | | |
|-----------|-----|-------|
| No. | By: | Date: |
| | | |

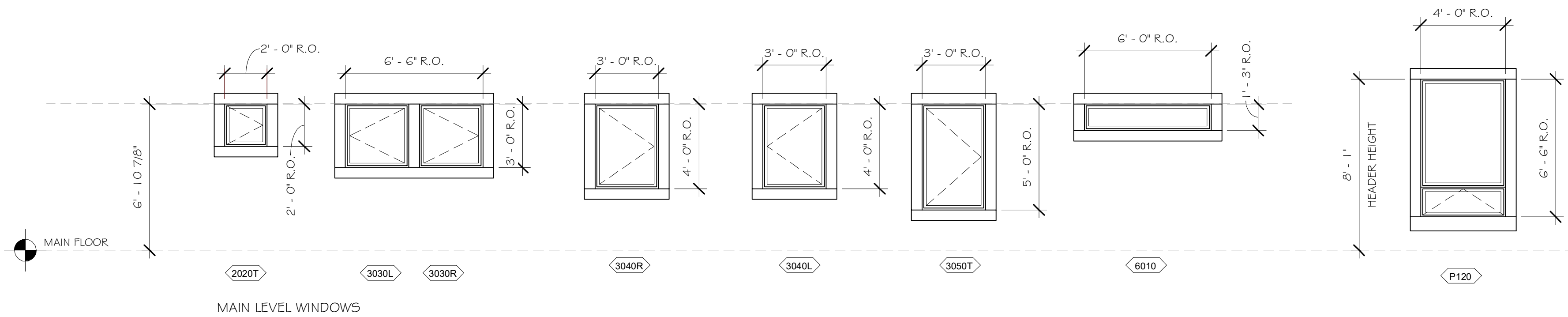
PROJECT NAME: **SUMMIT**

OWNER: **JUSTIN MEYER**

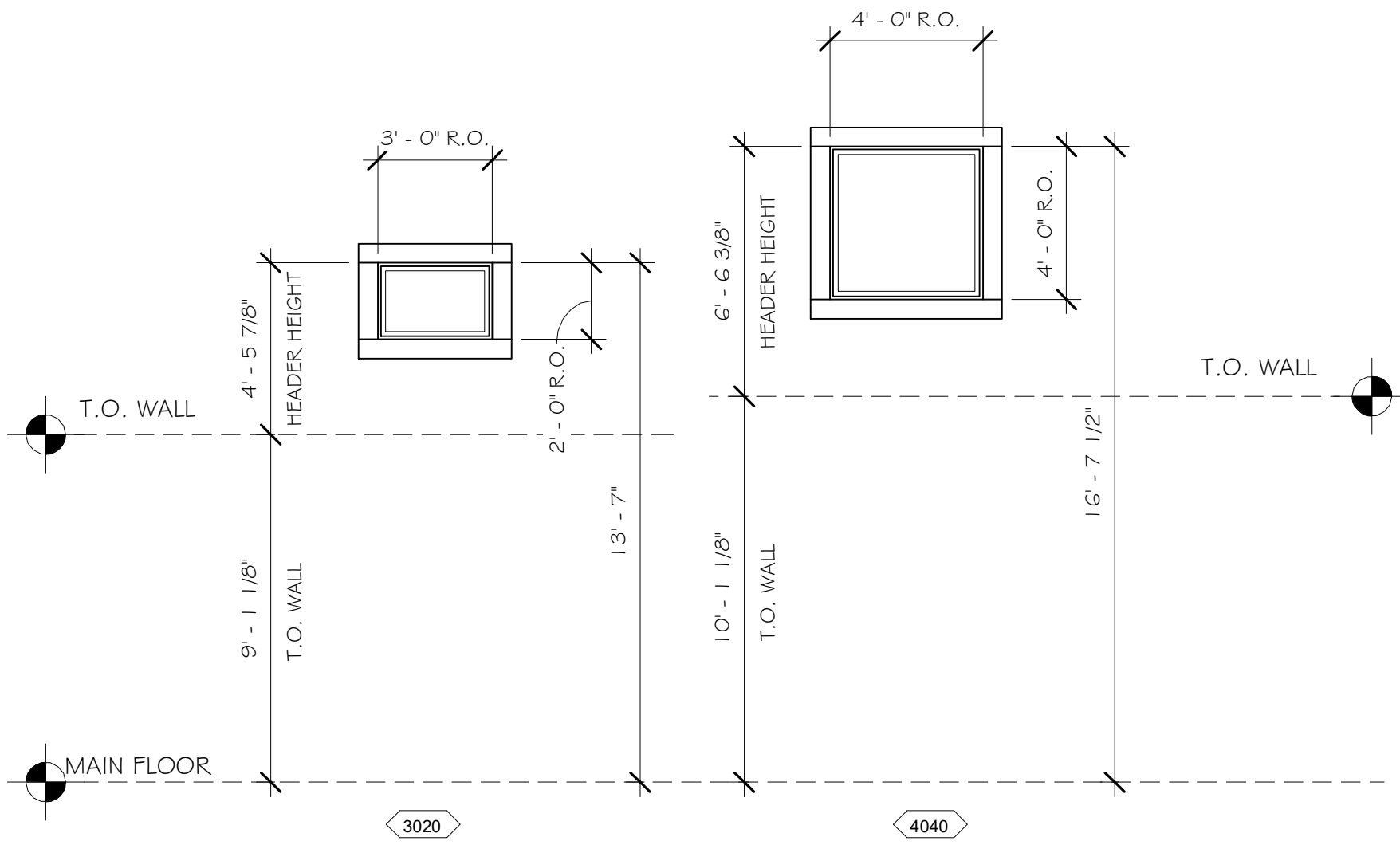
ADDRESS: **CABIN SITE 66
SAN MIGUEL COUNTY, CO**

DRAWING TITLE: **BACK & LEFT ELEVATION**

PROJECT NO.: **7014-000**
 DRAWN BY: JCF
 CHECKED BY: **MANAGER**
 DATE: 10/16/2020 11:58:19 AM
 SHEET NO.: **A2.1**



MAIN LEVEL WINDOWS



UPPER WINDOWS

WINDOW ELEVATIONS

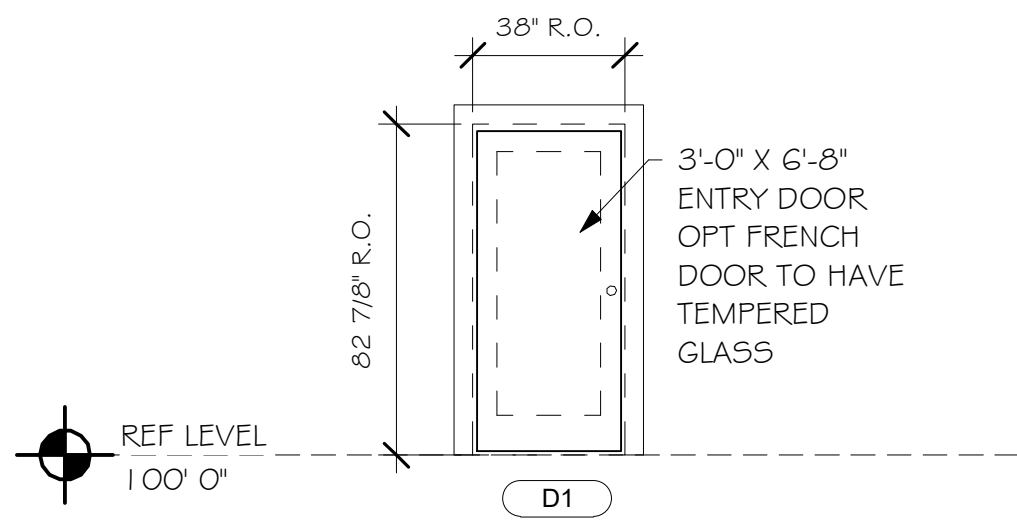
SCALE: 1/4" = 1'-0"

ALL WINDOWS NEED TO BE RATED FOR HIGH ALTITUDE

| WINDOW SCHEDULE | | | | | | | | | | | | |
|-----------------|-------|------------|------------|-------------|--------------|----------------|-----------|--------|--------|----------|---------|--|
| ITEM # | COUNT | WIDTH | HEIGHT | ROUGH WIDTH | ROUGH HEIGHT | STYLE | MATERIAL | FINISH | EGRESS | TEMPERED | U-VALUE | |
| MAIN FLOOR | | | | | | | | | | | | |
| 2020T | 1 | 1'-11 1/2" | 1'-11 1/2" | 2'-0" | 2'-0" | RIGHT CASEMENT | VINYL (1) | ALMOND | No | Yes | 0.29 | |
| 3020 | 4 | 2'-11 1/2" | 1'-11 1/2" | 3'-0" | 2'-0" | FIXED | VINYL (1) | ALMOND | No | No | 0.26 | |
| 3030L | 1 | 2'-11 1/2" | 2'-11 1/2" | 3'-0" | 3'-0" | LEFT CASEMENT | VINYL (1) | ALMOND | No | No | 0.29 | |
| 3030R | 1 | 2'-11 1/2" | 2'-11 1/2" | 3'-0" | 3'-0" | RIGHT CASEMENT | VINYL (1) | ALMOND | No | No | 0.29 | |
| 3040L | 3 | 2'-11 1/2" | 3'-11 1/2" | 3'-0" | 4'-0" | LEFT CASEMENT | VINYL (1) | ALMOND | Yes | No | 0.29 | |
| 3040R | 4 | 2'-11 1/2" | 3'-11 1/2" | 3'-0" | 4'-0" | RIGHT CASEMENT | VINYL (1) | ALMOND | Yes | No | 0.29 | |
| 3050T | 1 | 2'-11 1/2" | 4'-11 1/2" | 3'-0" | 5'-0" | RIGHT CASEMENT | VINYL (1) | ALMOND | No | Yes | 0.29 | |
| 4040F | 4 | 3'-11 1/2" | 3'-11 1/2" | 4'-0" | 4'-0" | FIXED | VINYL (1) | ALMOND | No | No | 0.26 | |
| 6013 | 1 | 5'-11 1/2" | 1'-2 1/2" | 6'-0" | 1'-3" | FIXED | VINYL (1) | ALMOND | No | No | 0.26 | |
| P120 | 4 | 3'-11 1/2" | 6'-5 1/2" | 4'-0" | 6'-6" | AWNING | VINYL (1) | ALMOND | No | No | 0.30 | |
| WALKOUT | | | | | | | | | | | | |
| 3040L | 1 | 2'-11 1/2" | 3'-11 1/2" | 3'-0" | 4'-0" | LEFT CASEMENT | VINYL (1) | ALMOND | Yes | No | 0.29 | |
| 3040R | 2 | 2'-11 1/2" | 3'-11 1/2" | 3'-0" | 4'-0" | RIGHT CASEMENT | VINYL (1) | ALMOND | Yes | No | 0.29 | |
| 3040RT | 1 | 2'-11 1/2" | 3'-11 1/2" | 3'-0" | 4'-0" | RIGHT CASEMENT | VINYL (1) | ALMOND | No | Yes | 0.29 | |

NOTE:

- ALL WALKOUT LEVEL WINDOWS PROVIDED BY OWNER/CONTRACTOR U.N.O. IN CONTRACT
- ALL WALKOUT LEVEL WINDOWS LESS THAN 18" ABOVE FINISH GRADE (SUCH AS IN WINDOW WELLS) ARE REQUIRED TO BE TEPERED
- WINDOWS IN HAZARDOUS AREAS SUCH AS DOOR SWINGS ARE INDICATED TO BE TEMPERED ABOVE TO COMPLY WITH R308.4
- AN EGRESS WINDOW WILL BE INSTALLED IN THE LOWER LEVEL SLEEPING ROOM TO COMPLY WITH R310
- ALL EGRESS PATHS, SUCH AS BALCONYS, WILL HAVE GUARDS INSTALLED TO COMPLY WITH R312



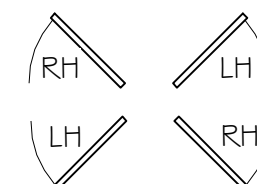
DOOR ELEVATION

1/4" = 1'-0"

| DOOR SCHEDULE | | | | | | |
|---------------|--------|-------|--------------------|--------|-----------------|-----------------|
| DOOR # | WIDTH | COUNT | SWING | HEIGHT | R.O. WIDTH | R.O. HEIGHT |
| Exterior | | | | | | |
| 10XB | 16'-0" | 1 | OVERHEAD | 8'-0" | PER MFG'S SPECS | PER MFG'S SPECS |
| D1 | 3'-0" | 2 | RIGHT HAND | 6'-8" | 3'-2" | 6'-8" |
| Interior | | | | | | |
| 2068R | 2'-0" | 2 | RIGHT HAND | 6'-8" | PER MFG'S SPECS | PER MFG'S SPECS |
| 2468R | 2'-4" | 1 | RIGHT HAND | 6'-8" | PER MFG'S SPECS | PER MFG'S SPECS |
| 2668BF | 2'-8" | 1 | BI-FOLD | 6'-8" | PER MFG'S SPECS | PER MFG'S SPECS |
| 2668L | 2'-6" | 2 | LEFT HAND | 6'-8" | PER MFG'S SPECS | PER MFG'S SPECS |
| 2668R | 2'-6" | 1 | RIGHT HAND | 6'-8" | PER MFG'S SPECS | PER MFG'S SPECS |
| 2868B | 2'-8" | 2 | SLIDER "BAR" STYLE | 6'-8" | PER MFG'S SPECS | PER MFG'S SPECS |
| 2868L | 2'-8" | 1 | LEFT HAND | 6'-8" | PER MFG'S SPECS | PER MFG'S SPECS |
| 2868R | 2'-8" | 1 | RIGHT HAND | 6'-8" | PER MFG'S SPECS | PER MFG'S SPECS |
| 3068L | 3'-0" | 1 | LEFT HAND | 6'-8" | PER MFG'S SPECS | PER MFG'S SPECS |
| 3068R | 3'-0" | 3 | RIGHT HAND | 6'-8" | PER MFG'S SPECS | PER MFG'S SPECS |
| 3068RF | 3'-0" | 1 | RIGHT HAND | 6'-8" | PER MFG'S SPECS | PER MFG'S SPECS |
| 5068BI | 5'-0" | 1 | BI-FOLD | 7'-0" | PER MFG'S SPECS | PER MFG'S SPECS |
| 6068 | 6'-0" | 1 | DOUBLE | 6'-8" | PER MFG'S SPECS | PER MFG'S SPECS |
| 6068BI | 6'-0" | 1 | BI-FOLD | 6'-8" | PER MFG'S SPECS | PER MFG'S SPECS |

NOTE:

- ALL DOORS PROVIDED BY OWNER/CONTRACTOR U.N.O. IN CONTRACT
- ALL DOORS PURCHASED FOR PRE-MANUFACTURED WALLS SHOULD MATCH ROUGH OPENING SIZES PROVIDED IN SCHEDULE ABOVE



| WALL SCHEDULE | | |
|---------------|-------------|------------------------------|
| WALL LOCATION | WALL NUMBER | WALL CONTENTS |
| A | CF-10-28-V1 | 3030R, 3030L |
| B | CB-09-28-V1 | (4) X P120 |
| BB | CU-10-28-V1 | (4) X 4040 |
| C | C5-09-30-V1 | 3068, D1 |
| CC | CU-10-30-V1 | SHED UPPER WALL MAIN SECTION |
| D | C5-09-30-V2 | 3068FO, D1 |
| DD | CU-10-30-V2 | SHED UPPER WALL MAIN SECTION |
| E | C5-09-20-V1 | 6013 |
| EE | CU-09-20-V1 | SHED UPPER WALL |
| F | C5-09-20-V2 | 3040R, 3040L |
| FF | CU-09-20-V2 | SHED UPPER WALL |
| G | CW-09-20-V1 | 3040R, 3040L |
| GG | CU-09-20-V3 | (2) X 3020 |
| H | CW-09-20-V2 | 2020 |
| I | CW-09-18-V3 | 3040R, 3040L, 3050L |
| II | CU-09-20-V4 | (2) X 3020 |
| J | CW-09-18-V4 | 3040L, 3040R |

PLAN NO.: 7014-000

SHEET TITLE: SCHEDULES

SHEET NO.: A3.0

Whisper Creek
By Rocky Mountain Homes

1883 Highway 83 South
Hamilton, MT 59840
ph. 406.363.5680
fx. 406.363.6537
wchdesign@rnmh.com

THESE PLANS, DRAWINGS, AND DESIGNS ARE THE PROPERTY OF WHISPER CREEK LOG HOMES (WCLH). ALL RIGHTS RESERVED AND SHALL NOT BE REPRODUCED OR COPIED WITHOUT THE EXPRESSED WRITTEN CONSENT FROM AN OFFICER OF WCLH. UNDER PENALTY OF PROSECUTION, THESE PLANS ARE RELEASED FOR CONSTRUCTION ON THE SITE DESCRIBED HEREON AND NO OTHER.

THESE DESIGNS AND DETAILS ARE BASED ON MANY YEARS OF CONSTRUCTION DESIGN AND ENGINEERING PRACTICE IN NUMEROUS DIVERSE JURISDICTIONS. THE PURPOSE IS TO PROVIDE A BASIS FOR THE DESIGNS INCORPORATED IN WHISPER CREEK LOG HOMES (WCLH). HOWEVER, IT IS THE RESPONSIBILITY OF THE OWNER TO CONSULT WITH ARCHITECT OR ENGINEER OF RECORD (E.O.R.) TO REVIEW AND VERIFY ANY AND ALL OF THE ASSUMPTIONS MADE AND DESIGNS PRESENTED. WCLH MAKES NO WARRANTY OR GUARANTEE AS TO THE FINAL SITE SPECIFIC APPLICABILITY OF THE DESIGN. ANY AND ALL PROPOSED CHANGES BY THE E.O.R. SHALL BE COORDINATED WITH WCLH. ALL CHANGES MUST BE APPROVED IN WRITING BY WCLH. IF APPROVED, ALL CHANGES WILL RESULT IN ADDITIONAL COSTS AND MAY REQUIRE MODIFICATIONS TO THE PLANS AND WALLS.

ARCHITECT/ENGINEER OF RECORD:

| REVISIONS | | |
|-----------|-----|-------|
| No. | By: | Date: |
| | | |

PROJECT NAME:
SUMMIT

OWNER:
JUSTIN MEYER

ADDRESS:
**CABIN SITE 66
SAN MIGUEL COUNTY, CO**

DRAWING TITLE:
SCHEDULES

PROJECT NO.: **7014-000**

FINALS

DRAWN BY: JCF

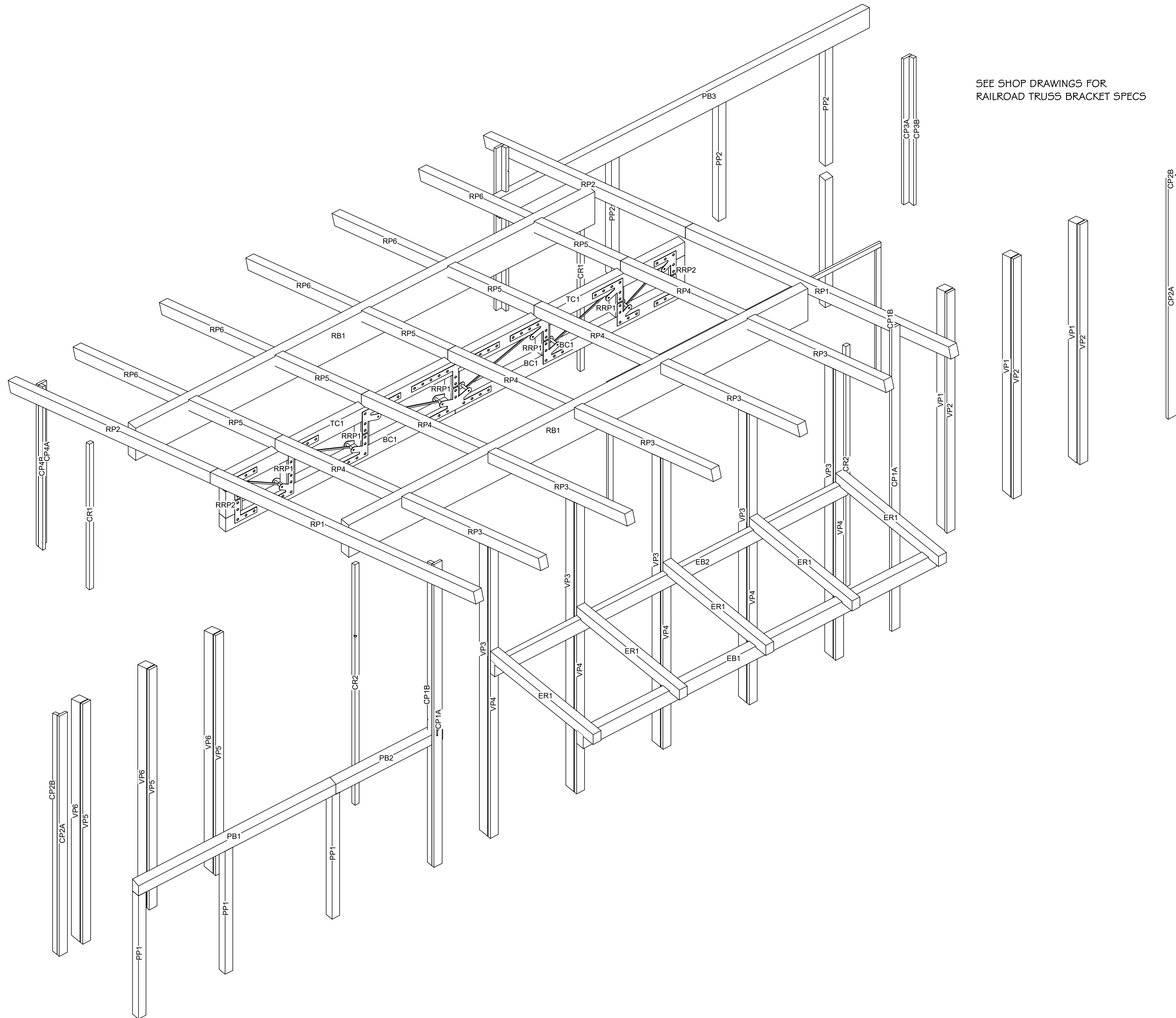
CHECKED BY: **MANAGER**

DATE: 10/16/2020 11:58:20 AM

SHEET NO.: **A3.0**

| COMPONENT SCHEDULE | | | |
|--------------------------|-------|----------------|---|
| ITEM # | COUNT | LENGTH | DESCRIPTION |
| CORNER TRIM | | | |
| CP1A | 2 | 18' - 10 1/16" | 2X6 R.S. TIMBER W/ PITCH CUT TOP |
| CP1B | 2 | 18' - 10 1/8" | 2X4 R.S. TIMBER W/ PITCH CUT TOP |
| CP2A | 2 | 14' - 11 1/16" | 2X6 R.S. TIMBER W/ PITCH CUT TOP |
| CP2B | 2 | 14' - 11 1/8" | 2X4 R.S. TIMBER W/ PITCH CUT TOP |
| CP3A | 2 | 9' - 1 1/8" | 2X6 R.S. TIMBER W/ PITCH CUT TOP |
| CP3B | 2 | 9' - 2 5/16" | 2X4 R.S. TIMBER W/ PITCH CUT TOP |
| CP4A | 2 | 10' - 1 1/8" | 2X6 R.S. TIMBER W/ PITCH CUT TOP |
| CP4B | 2 | 10' - 2 5/16" | 2X4 R.S. TIMBER W/ PITCH CUT TOP |
| EYEBROW BEAM | | | |
| EB1 | 1 | 21' - 5 3/4" | 6X10 R.S. TIMBER BEAM |
| EB2 | 1 | 21' - 5 3/4" | 4X10 R.S. TIMBER BEAM |
| EYEBROW RAFTER | | | |
| ER1 | 5 | 7' - 10" | 5 3/4" X 8" R.S. TIMBER BEAM |
| INTERIOR CORNER POST | | | |
| CR1 | 2 | 9' - 1 1/8" | 3X3 R.S. TIMBER POST W/ PITCH CUT TOP |
| CR2 | 2 | 15' - 0" | 3X3 R.S. TIMBER POST W/ PITCH CUT TOP |
| PORCH BEAM | | | |
| PB1 | 1 | 12' - 0" | 5 1/2" X 8" R.S. TIMBER BEAM W/ PITCH CUT TOP |
| PB2 | 1 | 6' - 6" | 5 1/2" X 8" R.S. TIMBER BEAM W/ PITCH CUT TOP |
| PB3 | 1 | 22' - 6" | 6 3/4" X 15" R.S. GLB BEAM W/ PITCH CUT TOP |
| PORCH POST | | | |
| PP1 | 1 | 7' - 11 3/8" | 5 1/2 X 5 1/2 R.S. TIMBER POST |
| PP2 | 3 | 8' - 6 15/16" | 5 1/2 X 5 1/2 R.S. TIMBER POST |
| PP3 | 3 | 7' - 3 3/8" | 5 1/2 X 5 1/2 R.S. TIMBER POST |
| RAILROAD TRUSS | | | |
| BC1 | 1 | 13' - 11 1/2" | 6X10 TIMBER BEAM |
| RRP1 | 5 | 1' - 7 7/8" | 6X6 R.S. TIMBER POST |
| RRP2 | 2 | 1' - 7 7/8" | 6X12 R.S. TIMBER POST |
| TC1 | 1 | 13' - 11 1/2" | 6X10 TIMBER BEAM |
| ROOF RAFTER | | | |
| RP1 | 2 | 21' - 1 3/8" | 5 3/4" X 8" R.S. TIMBER RAFTER |
| RP2 | 2 | 16' - 0 9/16" | 5 3/4" X 8" R.S. TIMBER RAFTER |
| RP3 | 5 | 11' - 0 5/8" | 5 3/4" X 8" R.S. TIMBER RAFTER |
| RP4 | 5 | 9' - 5 1/16" | 5 3/4" X 8" R.S. TIMBER BEAM |
| RP5 | 5 | 6' - 10 7/16" | 5 3/4" X 8" R.S. TIMBER RAFTER |
| RP6 | 5 | 8' - 7 1/8" | 5 3/4" X 8" R.S. TIMBER RAFTER |
| ROOF SUPPORT BEAM | | | |
| RB1 | 2 | 27' - 11" | 6 3/4" X 24" GLULAM BEAM |
| VERTICAL POST - EXTERIOR | | | |
| VP2 | 3 | 14' - 11 1/16" | 5 3/4" X 2 R.S. TIMBER POST W/ PITCH CUT TOP |
| VP4 | 5 | 18' - 1 5/8" | 5 3/4" X 2 R.S. TIMBER POST W/ PITCH CUT TOP |
| VP5 | 3 | 14' - 11 3/4" | 5 3/4" X 2 R.S. TIMBER POST W/ PITCH CUT TOP |
| VERTICAL POST - INTERIOR | | | |
| VP1 | 3 | 14' - 11" | 5 3/4" X 7 1/2" R.S. TIMBER POST W/ PITCH CUT TOP |
| VP3 | 5 | 18' - 0 7/8" | 5 3/4" X 7 1/2" R.S. TIMBER POST W/ PITCH CUT TOP |
| VP6 | 3 | 14' - 11" | 5 3/4" X 7 1/2" R.S. TIMBER POST W/ PITCH CUT TOP |

NOTE: COMPONENTS SHOWN ARE INCLUDED IN PACKAGE



COMPONENT ISOMETRIC

PLAN NO.: 7014-000

COMPONENT ISOMETRIC

SHEET NO.: **A4.0**

Whisper Creek
By Rocky Mountain Homes

1983 Highway 93 South
Hamilton, MT 59840
ph. 406.363.5680
fx. 406.363.6537
wchdesign@rmtlh.com

THESE PLANS, DRAWINGS, AND DESIGNS ARE THE PROPERTY OF WHISPER CREEK LOG HOMES (WCLH). ALL RIGHTS RESERVED AND SHALL NOT BE REPRODUCED OR COPIED WITHOUT THE EXPRESSED WRITTEN CONSENT FROM AN OFFICER OF WCLH. UNDER PENALTY OF PROSECUTION THESE PLANS ARE RELEASED FOR CONSTRUCTION ON THE SITE DESCRIBED HEREON AND NO OTHER.

THESE DESIGNS AND DETAILS ARE BASED ON MANY YEARS OF CONSTRUCTION, DESIGN, AND ENGINEERING PRACTICE IN NUMEROUS DIVERSE JURISDICTIONS. THE PURPOSE IS TO PROVIDE A BASIS FOR THE DESIGNS INCORPORATED IN WHISPER CREEK LOG HOMES (WCLH). HOWEVER, IT IS THE RESPONSIBILITY OF THE OWNER TO CONSULT WITH ARCHITECT OR ENGINEER OF RECORD (E.O.R.) TO REVIEW AND VERIFY ANY AND ALL OF THE ASSUMPTIONS MADE AND DESIGNS PRESENTED. WCLH MAKES NO WARRANTY OR GUARANTEE AS TO THE FINAL SITE SPECIFIC APPLICABILITY OF THE DESIGN. ANY AND ALL PROPOSED CHANGES BY THE E.O.R. SHALL BE COORDINATED WITH WCLH. ALL CHANGES MUST BE APPROVED IN WRITING BY WCLH. IF APPROVED, ALL CHANGES WILL RESULT IN ADDITIONAL COSTS AND MAY REQUIRE MODIFICATIONS TO THE PLANS AND WALLS.

ARCHITECT/ENGINEER OF RECORD:
JUL 26, 2023 4:54PM

STATE OF COLORADO
KIMLY C. MANGUM
ARC-305652
LICENSED ARCHITECT

STRUCTURAL ONLY

| REVISIONS | | |
|-----------|-----|-------|
| No. | By: | Date: |
| | | |

PROJECT NAME:
SUMMIT

OWNER:
JUSTIN MEYER

ADDRESS:
**CABIN SITE 66
SAN MIGUEL COUNTY, CO**

DRAWING TITLE:
COMPONENT ISOMETRIC

PROJECT NO.: **7014-000**

FINALS

DRAWN BY: JCF

CHECKED BY: **MANAGER**

DATE: 10/16/2020 11:58:21 AM

SHEET NO.: **A4.0**

H:\Tools\Manual\Consulting\Work\Rocky Mountain Homes\WCLH_Finished\Project\2017\Myer - Summit\Review\Myer - Summit_2021.rvt

FILE PATH: H:\Tools\Manual\Consulting\Work\Rocky Mountain Homes\WCLH_Finished\Project\2017\Myer - Summit\Review\Myer - Summit_2021.rvt

SECTION NOTES

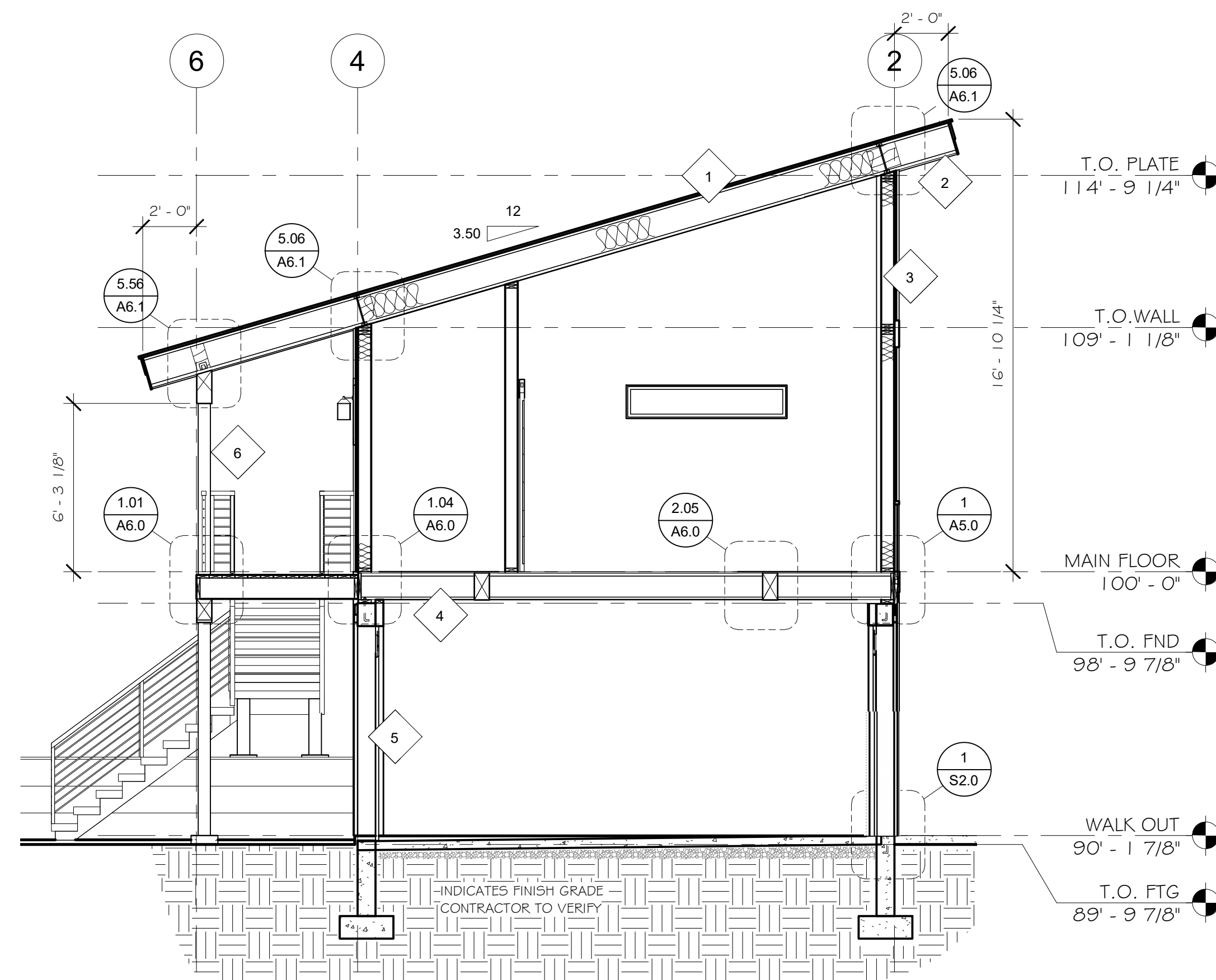
- CONTRACTOR WILL VERIFY ANY AND ALL STEPS IN FOOTINGS & FOUNDATION AS REQUIRED BY EXISTING FINISH GRADES.
- MODIFICATIONS TO THE STRUCTURE MUST BE APPROVED BY THE A/EOR IN WRITING PRIOR TO MAKING ANY CHANGES. GRADES INDICATED ARE APPROXIMATE AND MAY BE MODIFIED SUBJECT TO FINAL SITE CONDITIONS. DRAINAGE AWAY FROM THE STRUCTURE MUST BE MAINTAINED.
- CONTRACTOR TO INSTALL SNOW STOPS ON ROOF.

ABBREVIATIONS

- O/C INDICATES BUILDING COMPONENT PROVIDED BY OWNER/CONTRACTOR
 WC INDICATES BUILDING COMPONENT PROVIDED BY WHISPER CREEK LOG HOMES
 A/EOR INDICATES ARCHITECT/ENGINEER OF RECORD

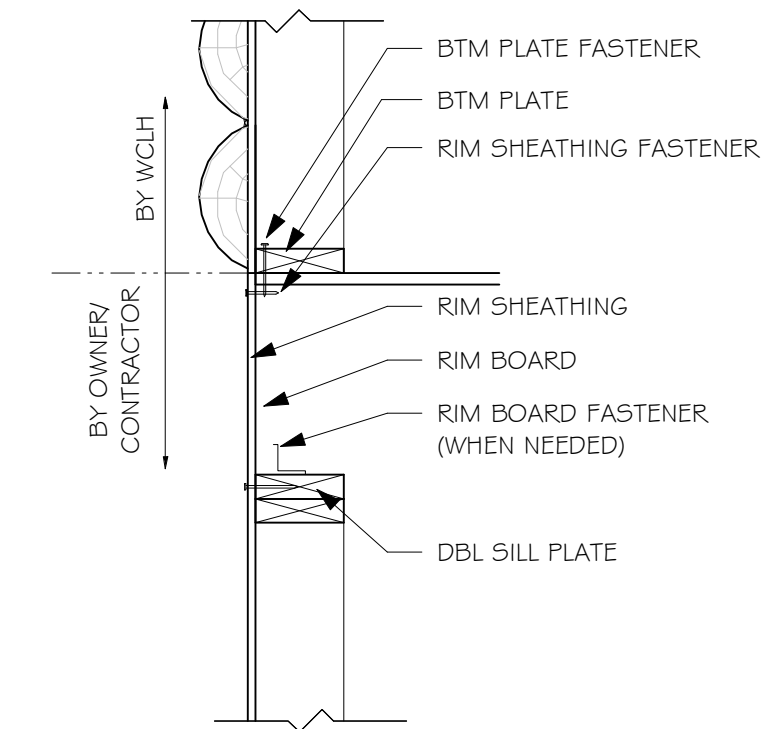
DECK NOTES

- CLEARANCE: NO WOOD SHALL BE NEARER THAN 6 INCH TO EARTH UNLESS SEPARATED BY CONCRETE AT LEAST 3 INCH THICK WITH IMPERVIOUS MEMBRANE INSTALLED BETWEEN THE EARTH AND THE CONCRETE UNLESS PRESERVATIVELY TREATED WOOD IS USED.
- DECKING: 2 INCH NOMINAL THICK MIN PLANKS SHALL BE USED FOR PLANKING WHERE DECK JOIST SPACING IS 16 INCH O.C. OR GREATER. 1 INCH NOMINAL THICK PLANKING SHALL NOT BE USED WHERE DECK JOISTS ARE SPACED GREATER THAN 12 INCH O.C. DECKS AND TERRACES SHALL BE CONSTRUCTED TO SUPPORT APPLICABLE HORIZONTAL AND VERTICAL LOADING, INCLUDING A MIN LIVE LOAD OF 60 PSF.



SECTION A

1/4" = 1'-0"



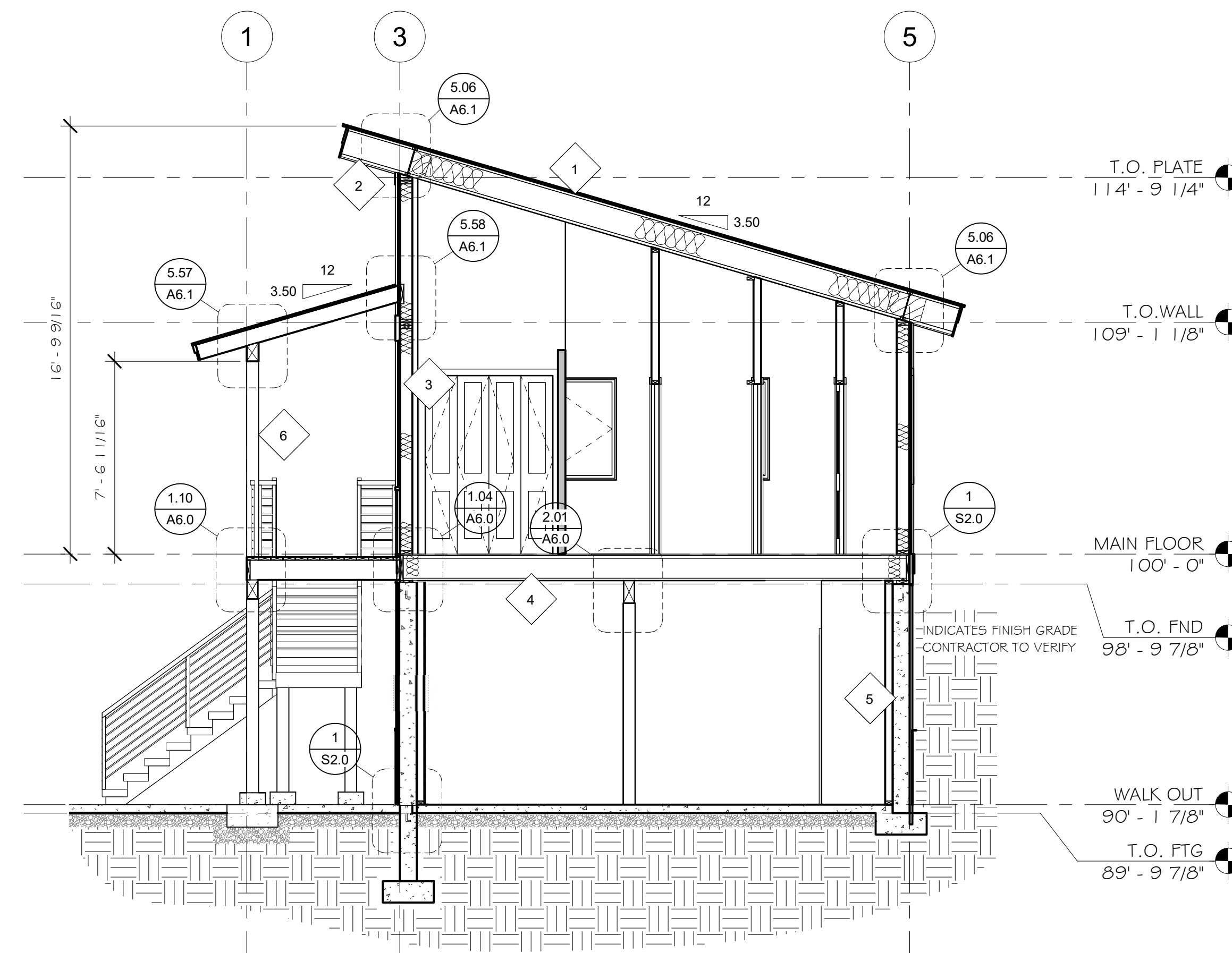
WALL BASE CONNECTION SCHEDULE

| LOCATION | FASTENER OR MEMBER |
|-------------------------------------|--|
| BOTTOM PLATE | 2X6 X CONT |
| FASTENER | 16d NAILS @ EA JST, BLKG & CONT @ 3-1/2" O.C. |
| RIM SHEATHING | 7/16" APA 2 4/16 EXT SHTG |
| FASTENER | 8d NAILS @ 3-1/8" O.C. ALL EDGES |
| RIM BOARD | 1-1/8" MIN LVL RIM BOARD |
| FASTENER TO SILL PLATE OR TOP PLATE | A355 @ 24" O.C. (ONLY REQD W/GABLE END DOOR OR WINDOW FEATURE WALLS) STAINLESS T5TL OR Z-MAS @ TREATED PLATE |

1 FRAMED WALL TO FLOOR TO FRAMED WALL
1" = 1'-0"

MATERIAL BREAKDOWN

- | | |
|---|--|
| <p>1 ROOF SYSTEM</p> <ul style="list-style-type: none"> STANDING SEAM METAL ROOFING - O/C 30# FELT - O/C ICE & WATER SHIELD - O/C 1/9/32" APA RATED ROOF SHEATHING - WCLH 1 1/4" I-JOIST ROOF FRAMING (PER PLAN) - WCLH INSULATION BAFFLES - O/C R-49 MIN INSULATION - O/C 5/8" GYPSUM BOARD (VERIFY FINISH W/ OWNER) - O/C LATEX PAINT VAPOR BARRIER (VERIFY FINISH W/ OWNER) - O/C <p>2 SOFFIT/ FASCIA SYSTEM</p> <ul style="list-style-type: none"> ALUMINUM DRIP EDGE - O/C ROUGH CUT WOOD FASCIA - O/C 3/4" OSB FASCIA BACKER - WCLH VENTED SOFFIT (VERIFY TYPE W/ OWNER) - O/C <p>3 EXTERIOR WALL SYSTEM</p> <ul style="list-style-type: none"> LIVE EDGE LAP SIDING (ROCKY MTN BROWN) - WCLH CORRUGATED METAL (NATURAL RUST FINISH) - WCLH TYPAR BUILDING PAPER - WCLH APA RATED SHEATHING - WCLH 2X6 FRAMING - WCLH R-20 BLOWN IN CELLULOSE INSULATION - O/C 4 MIL (MIN) VAPOR BARRIER - O/C 1/2" GYPSUM BOARD (VERIFY FINISH W/ OWNER) - O/C | <p>4 MAIN FLOOR SYSTEM</p> <ul style="list-style-type: none"> T&G OSB FLOOR SHEATHING - O/C 1 1/8" (MIN) X 11 7/8" RIM BOARD - O/C 1 1/8" I-JOIST FLOOR FRAMING (PER PLAN) - O/C CULTURED STONE VENEER @ RIM JOIST - O/C <p>5 FOUNDATION SYSTEM</p> <ul style="list-style-type: none"> 2X6 TREATED SILL PLATE - O/C 8" CONCRETE FOUNDATION WALLS - O/C R-10 CONTINUOUS INSULATION OR R-13 CAVITY INSULATION - O/C CLEAN GRAVEL FILL 12" ABOVE TOP OF FOOTING & 8" CLEAR AROUND SIDES OF FOOTING - O/C FRENCH DRAIN PIPED TO STORM DRAIN SYSTEM - O/C CONCRETE FOOTING - O/C <p>6 PORCH SYSTEM</p> <ul style="list-style-type: none"> STANDING SEAM METAL ROOFING - O/C 1/9/32" APA RATED ROOF SHEATHING - WCLH ROUGH CUT WOOD FASCIA - O/C 3/4" OSB SUB-FASCIA BACKER - WCLH VENTED T&G CEDAR SOFFIT - O/C 2X ROOF FRAMING (PER PLAN) - WCLH TIMBER BEAM (PER PLAN) - WCLH TIMBER POST (PER PLAN) - WCLH 2X DECK FRAMING (PER PLAN) - WCLH 2X B.U. BEAM - WCLH CONCRETE PIER (PER PLAN) - O/C CONCRETE FOOTING (PER PLAN) - O/C |
|---|--|



SECTION B

1/4" = 1'-0"

PLAN NO.: 7014-000
 SHEET TITLE: SECTIONS
 SHEET NO.: A5.0

Whisper Creek
 By Rocky Mountain Homes
 1983 Highway 93 South
 Hamilton, MT 59840
 ph. 406.363.5680
 fx. 406.363.6537
 wclhdesign@rmtlh.com

THESE PLANS, DRAWINGS, AND DESIGNS ARE THE PROPERTY OF WHISPER CREEK LOG HOMES (WCLH). ALL RIGHTS RESERVED AND SHALL NOT BE REPRODUCED OR COPIED WITHOUT THE EXPRESSED WRITTEN CONSENT FROM AN OFFICER OF WCLH. UNDER PENALTY OF PROSECUTION, THESE PLANS ARE RELEASED FOR CONSTRUCTION ON THE SITE DESCRIBED HEREON AND NO OTHER.

THESE DESIGNS AND DETAILS ARE BASED ON MANY YEARS OF CONSTRUCTION DESIGN, AND ENGINEERING PRACTICE IN NUMEROUS DIVERSE JURISDICTIONS. THE PURPOSE IS TO PROVIDE A BASIS FOR THE DESIGNS INCORPORATED IN WHISPER CREEK LOG HOMES (WCLH). HOWEVER, IT IS THE RESPONSIBILITY OF THE OWNER TO CONSULT WITH ARCHITECT OR ENGINEER OF RECORD (E.O.R.) TO REVIEW AND VERIFY ANY AND ALL OF THE ASSUMPTIONS MADE AND DESIGNS PRESENTED. WCLH MAKES NO WARRANTY OR GUARANTEE AS TO THE FINAL SITE SPECIFIC APPLICABILITY OF THE DESIGN. ANY AND ALL PROPOSED CHANGES BY THE E.O.R. SHALL BE COORDINATED WITH WCLH. ALL CHANGES MUST BE APPROVED IN WRITING BY WCLH. IF APPROVED, ALL CHANGES WILL RESULT IN ADDITIONAL COSTS AND MAY REQUIRE MODIFICATIONS TO THE PLANS AND WALLS.

ARCHITECT/ENGINEER OF RECORD:

REVISIONS

| No. | By: | Date: |
|-----|-----|-------|
| | | |

PROJECT NAME:
SUMMIT

OWNER:
JUSTIN MEYER

ADDRESS:
**CABIN SITE 66
SAN MIGUEL COUNTY, CO**

DRAWING TITLE:
SECTIONS

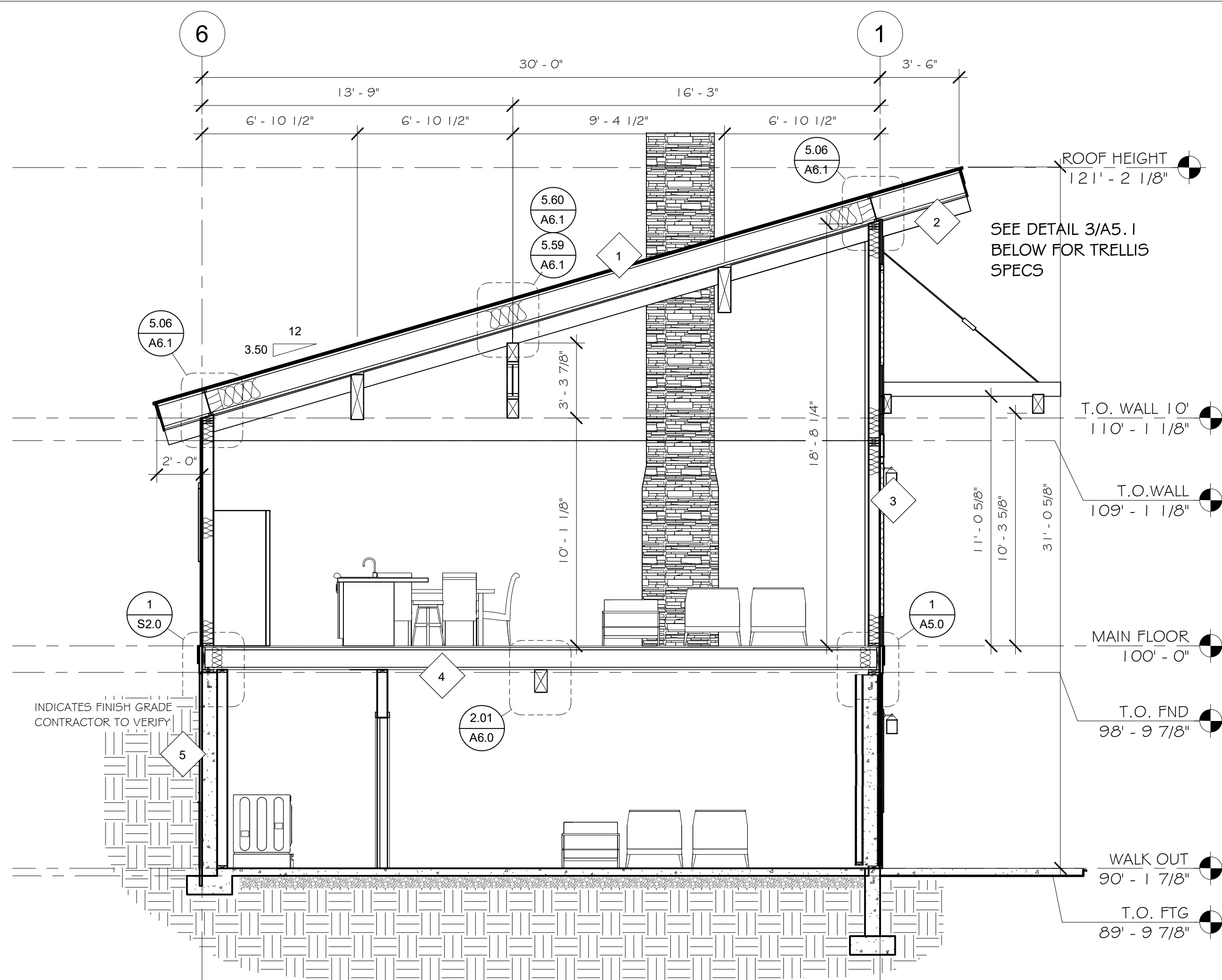
PROJECT NO.: **FINALS**
 DRAWN BY: JCF
 CHECKED BY: **MANAGER**
 DATE: 10/16/2020 11:58:23 AM
 SHEET NO.: **A5.0**

SECTION NOTES

- CONTRACTOR WILL VERIFY ANY AND ALL STEPS IN FOOTINGS & FOUNDATION AS REQUIRED BY EXISTING FINISH GRADES.
- MODIFICATIONS TO THE STRUCTURE MUST BE APPROVED BY THE AEOR IN WRITING PRIOR TO MAKING ANY CHANGES. GRADES INDICATED ARE APPROXIMATE AND MAY BE MODIFIED SUBJECT TO FINAL SITE CONDITIONS. DRAINAGE AWAY FROM THE STRUCTURE MUST BE MAINTAINED.
- CONTRACTOR TO INSTALL SNOW STOPS ON ROOF.

ABBREVIATIONS

- O/C INDICATES BUILDING COMPONENT PROVIDED BY OWNER/CONTRACTOR
 WC INDICATES BUILDING COMPONENT PROVIDED BY WHISPER CREEK LOG HOMES
 AEOR INDICATES ARCHITECT/ENGINEER OF RECORD

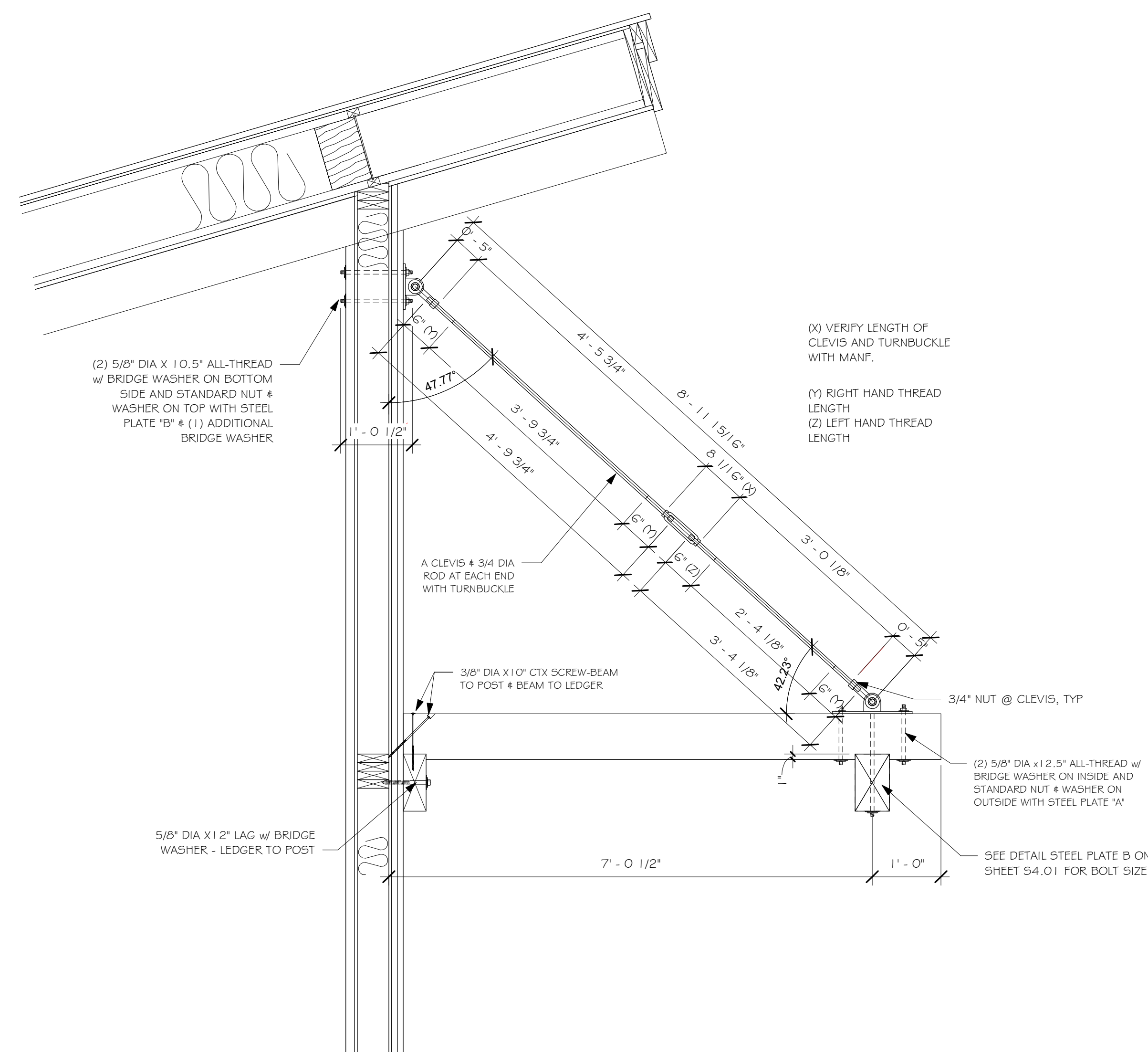


SECTION C

1/4" = 1'-0"

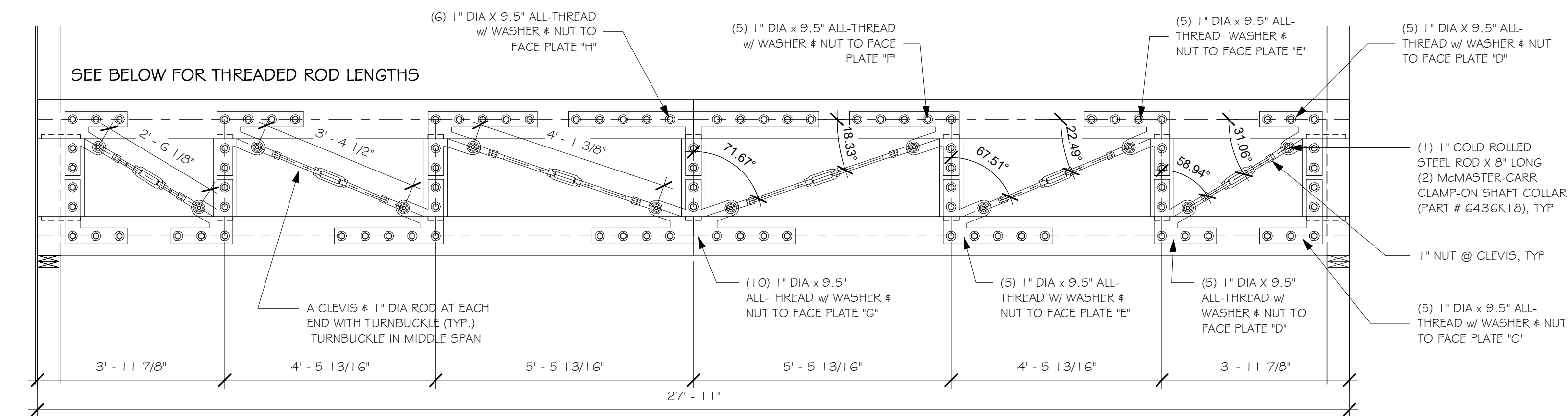
MATERIAL BREAKDOWN

- 1 ROOF SYSTEM**
 - STANDING SEAM METAL ROOFING - O/C
 - 30# FELT - O/C
 - ICE & WATER SHIELD - O/C
 - 1 9/32" APA RATED ROOF SHEATHING - WCLH
 - 1 4" I-JOIST ROOF FRAMING (PER PLAN) - WCLH
 - INSULATION BATTLES - O/C
 - R-49 MIN INSULATION - O/C
 - 5/8" GYPSUM BOARD (VERIFY FINISH W/ OWNER) - O/C
 - LATEX PAINT VAPOR BARRIER (VERIFY FINISH W/ OWNER) - O/C
- 2 SOFFIT/ FASCIA SYSTEM**
 - ALUMINUM DRIP EDGE - O/C
 - ROUGH CUT WOOD FASCIA - O/C
 - 3/4" OSB FASCIA BACKER - WCLH
 - VENTED SOFFIT (VERIFY TYPE W/ OWNER) - O/C
- 3 EXTERIOR WALL SYSTEM**
 - LIVE EDGE LAP SIDING (ROCKY MTN BROWN) - WCLH
 - CORRUGATED METAL (NATURAL RUST FINISH) - WCLH
 - TYPAR BUILDING PAPER - WCLH
 - APA RATED SHEATHING - WCLH
 - 2X6 FRAMING - WCLH
 - R-20 BLOWN IN CELLULOSE INSULATION - O/C
 - 4 MIL (MIN) VAPOR BARRIER - O/C
 - 1/2" GYPSUM BOARD (VERIFY FINISH W/ OWNER) - O/C
- 4 MAIN FLOOR SYSTEM**
 - T4G OSB FLOOR SHEATHING - O/C
 - 1 1/8" (MIN) X 11 7/8" RIM BOARD - O/C
 - 1 1 7/8" I-JOIST FLOOR FRAMING (PER PLAN) - O/C
 - CULTURED STONE VENEER @ RIM JOIST - O/C
- 5 FOUNDATION SYSTEM**
 - 2X6 TREATED SILL PLATE - O/C
 - 8" CONCRETE FOUNDATION WALLS - O/C
 - R-10 CONTINUOUS INSULATION OR R-13 CAVITY INSULATION - O/C
 - CLEAN GRAVEL FILL 12" ABOVE TOP OF FOOTING & 8" CLEAR AROUND SIDES OF FOOTING - O/C
 - FRENCH DRAIN PIPED TO STORM DRAIN SYSTEM - O/C
 - CONCRETE FOOTING - O/C
- 6 PORCH SYSTEM**
 - STANDING SEAM METAL ROOFING - O/C
 - 1 9/32" APA RATED ROOF SHEATHING - WCLH
 - ROUGH CUT WOOD FASCIA - O/C
 - 3/4" OSB SUB-FASCIA BACKER - WCLH
 - VENTED T4G CEDAR SOFFIT - O/C
 - 2X ROOF FRAMING (PER PLAN) - WCLH
 - TIMBER BEAM (PER PLAN) - WCLH
 - TIMBER POST (PER PLAN) - WCLH
 - 2X DECK FRAMING (PER PLAN) - WCLH
 - 2X D.U. BEAM - WCLH
 - CONCRETE PIER (PER PLAN) - O/C
 - CONCRETE FOOTING (PER PLAN) - O/C



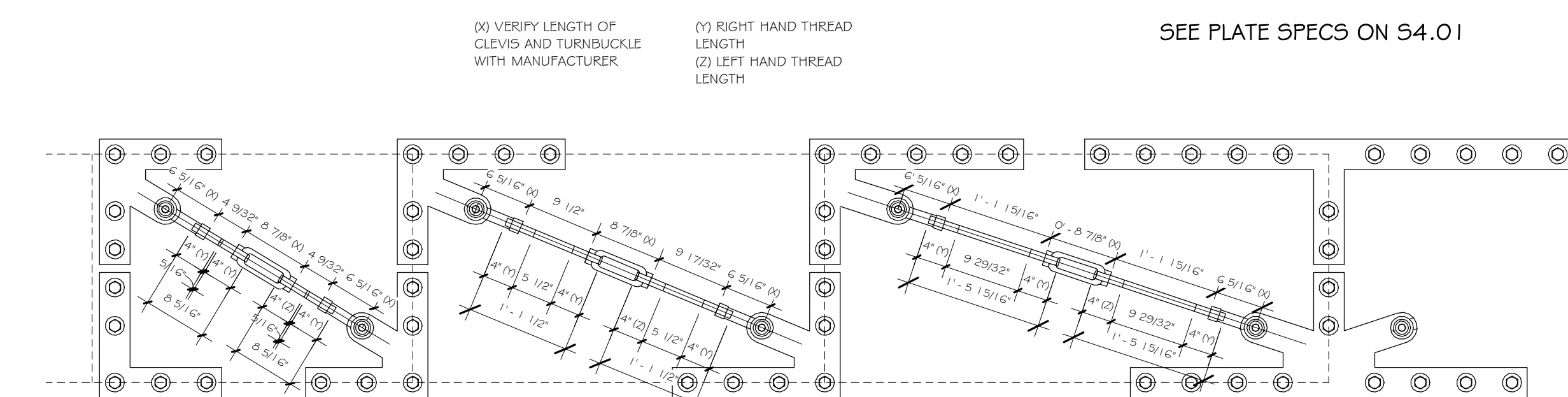
TRELLIS DETAIL

3/4" = 1'-0"



2 RAILROAD TRUSS CONNECTIONS

1/2" = 1'-0"



4 THREADED ROD LENGTHS

3/4" = 1'-0"

SECTION TITLE: **A5.1**

PROJECT NO: **7014-000**

Whisper Creek
By Rocky Mountain Homes

1953 Highway 93 South
Hamilton, MT 59840
ph. 406.363.5680
fx. 406.363.6537
wclhdesign@rmtlh.com

THESE PLANS, DRAWINGS, AND DESIGNS ARE THE PROPERTY OF WHISPER CREEK LOG HOMES (WCLH). ALL RIGHTS RESERVED AND SHALL NOT BE REPRODUCED OR COPIED WITHOUT THE EXPRESSED WRITTEN CONSENT FROM AN OFFICER OF WCLH. UNDER PENALTY OF PROSECUTION, THESE PLANS ARE RELEASED FOR CONSTRUCTION ON THE SITE DESCRIBED HEREON AND NO OTHER.

THESE DESIGNS AND DETAILS ARE BASED ON MANY YEARS OF CONSTRUCTION DESIGN, AND ENGINEERING PRACTICE IN NUMEROUS DIVERSE JURISDICTIONS. THE PURPOSE IS TO PROVIDE A BASIS FOR THE DESIGNS INCORPORATED IN WHISPER CREEK LOG HOMES (WCLH). HOWEVER, IT IS THE RESPONSIBILITY OF THE OWNER TO CONSULT WITH ARCHITECT OR ENGINEER OF RECORD (E.O.R.) TO REVIEW AND VERIFY ANY AND ALL OF THE ASSUMPTIONS MADE AND DESIGNS PRESENTED. WCLH MAKES NO WARRANTY OR GUARANTEE AS TO THE FINAL SITE SPECIFIC APPLICABILITY OF THE DESIGN. ANY AND ALL PROPOSED CHANGES BY THE E.O.R. SHALL BE COORDINATED WITH WCLH. ALL CHANGES MUST BE APPROVED IN WRITING BY WCLH. IF APPROVED, ALL CHANGES WILL RESULT IN ADDITIONAL COSTS AND MAY REQUIRE MODIFICATIONS TO THE PLANS AND WALLS.

ARCHITECT/ENGINEER OF RECORD:

REVISIONS

| No. | By: | Date: |
|-----|-----|-------|
| | | |

PROJECT NAME: **SUMMIT**

OWNER: **JUSTIN MEYER**

ADDRESS: **CABIN SITE 66
SAN MIGUEL COUNTY, CO**

DRAWING TITLE: **SECTIONS**

PROJECT NO: **7014-000**

FINALS

DRAWN BY: **JCF**

CHECKED BY: **MANAGER**

DATE: **10/16/2020 11:58:25 AM**

SHEET NO: **A5.1**

H:\Work\Manual\Consulting\WhisperCreek\Rocky Mountain Homes\WCLH_Finished\Project\2021\7014\Summits\Revised\Main\Summits_2021.rvt
 10/16/2020 11:58:25 AM



Whisper Creek
By Rocky Mountain Homes

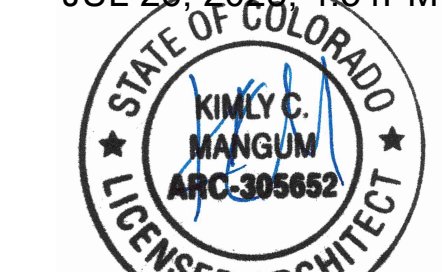
1853 Highway 93 South
Hamilton, MT 59840
ph. 406.363.5680
fx. 406.363.6537
wclhdesign@rhm.com

THESE PLANS, DRAWINGS, AND DESIGNS ARE THE PROPERTY OF WHISPER CREEK LOG HOMES (WCLH). ALL RIGHTS RESERVED AND SHALL NOT BE REPRODUCED OR COPIED WITHOUT THE EXPRESSED WRITTEN CONSENT FROM AN OFFICER OF WCLH. UNDER PENALTY OF PROSECUTION THESE PLANS ARE RELEASED FOR CONSTRUCTION ON THE SITE DESCRIBED HEREON AND NO OTHER.

THESE DESIGNS AND DETAILS ARE BASED ON MANY YEARS OF CONSTRUCTION DESIGN AND ENGINEERING PRACTICE IN NUMEROUS DIVERSE JURISDICTIONS. THE PURPOSE IS TO PROVIDE A BASIS FOR THE DESIGNS INCORPORATED IN WHISPER CREEK LOG HOMES (WCLH). HOWEVER, IT IS THE RESPONSIBILITY OF THE OWNER TO CONSULT WITH ARCHITECT OR ENGINEER OF RECORD (E.O.R.) TO REVIEW AND VERIFY ANY AND ALL OF THE ASSUMPTIONS MADE AND DESIGNS PRESENTED. WCLH MAKES NO WARRANTY OR GUARANTEE AS TO THE FINAL SITE SPECIFIC APPLICABILITY OF THE DESIGN. ANY AND ALL PROPOSED CHANGES BY THE E.O.R. SHALL BE COORDINATED WITH WCLH. ALL CHANGES MUST BE APPROVED IN WRITING BY WCLH. IF APPROVED, ALL CHANGES WILL RESULT IN ADDITIONAL COSTS AND MAY REQUIRE MODIFICATIONS TO THE PLANS AND WALLS.

ARCHITECT ENGINEER OF RECORD:

JUL 26, 2023 4:54PM



STRUCTURAL ONLY

REVISIONS

| No. | By: | Date: |
|-----|-----|-------|
| | | |

PROJECT NAME:

SUMMIT

OWNER:

JUSTIN MEYER

ADDRESS:

CABIN SITE 66
SAN MIGUEL COUNTY, CO

DRAWING TITLE:

FRAMING DETAILS

PROJECT NO.:

7014-000

DRAWN BY:

JCF

CHECKED BY:

MANAGER

DATE:

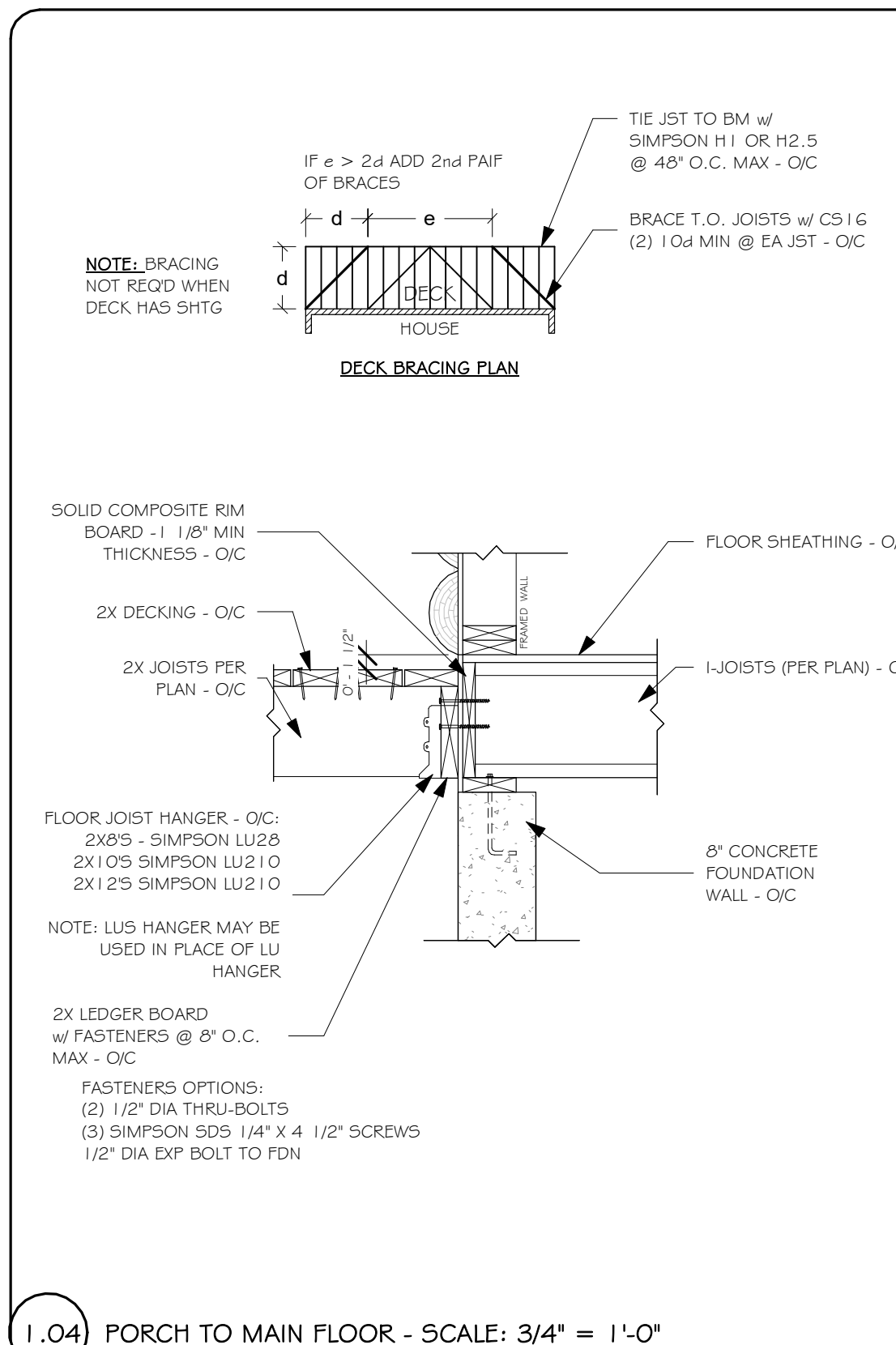
10/16/2020 11:58:26 AM

SHEET NO.:

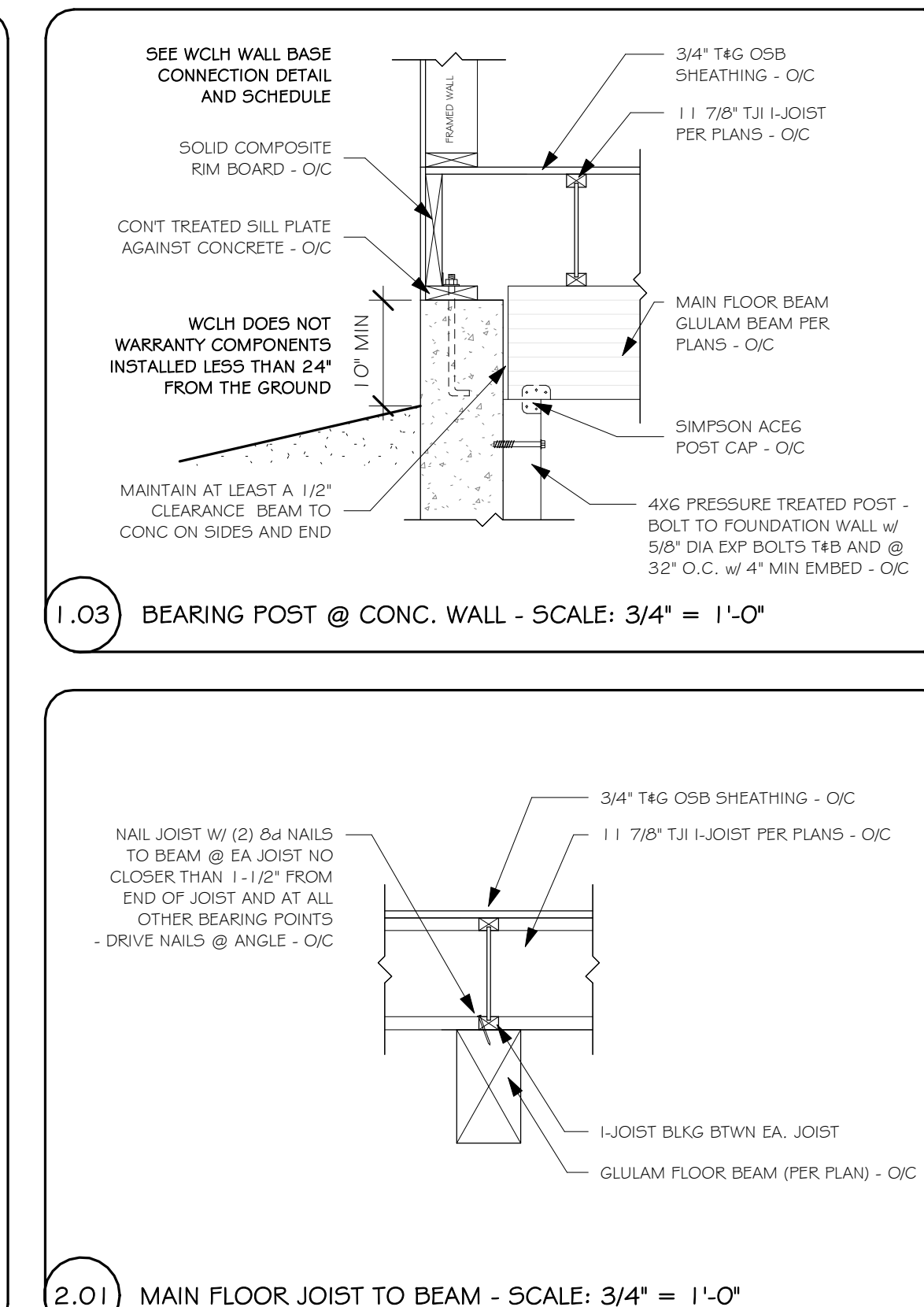
A6.0

PLANNING:

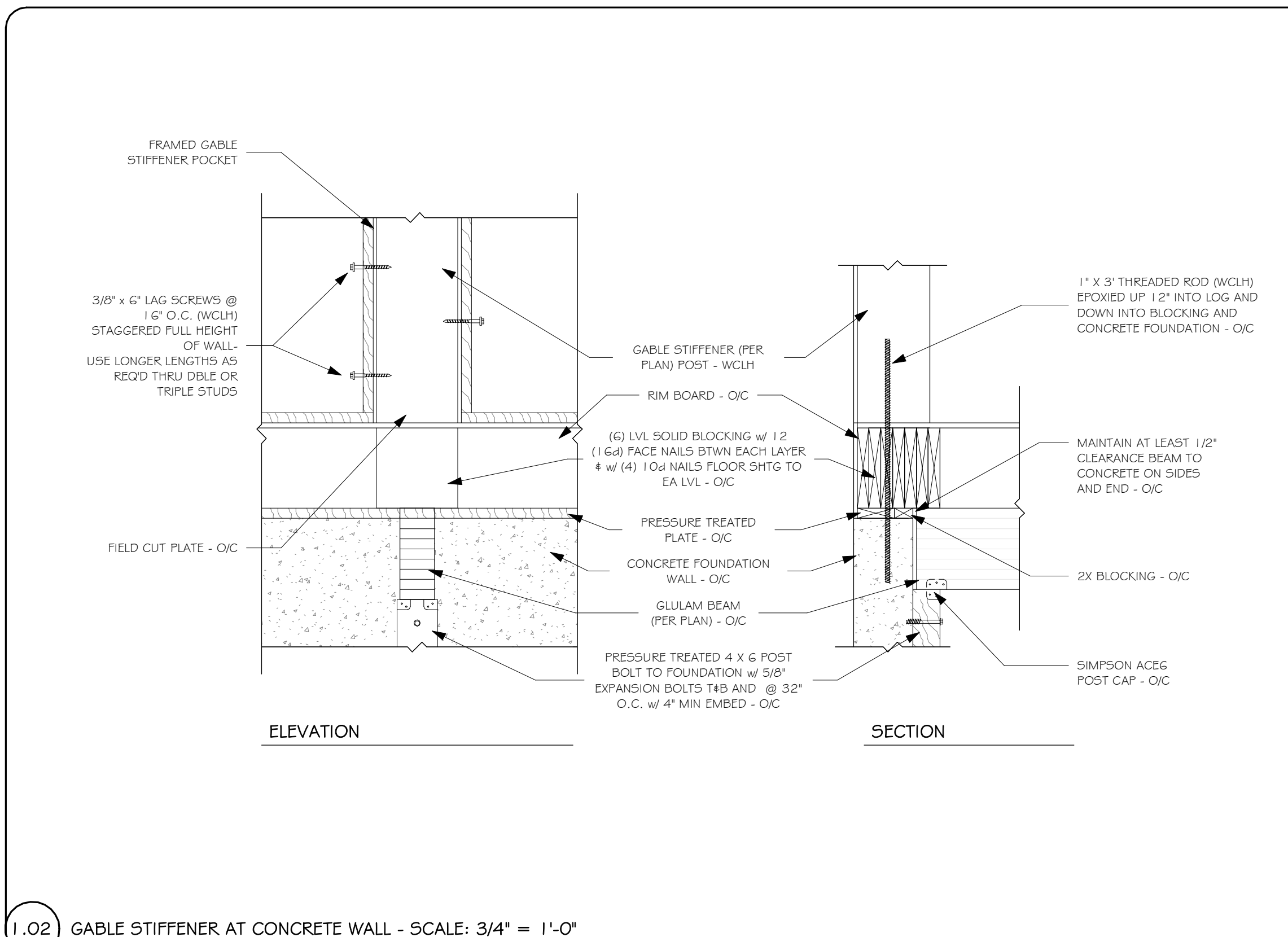
7014-000



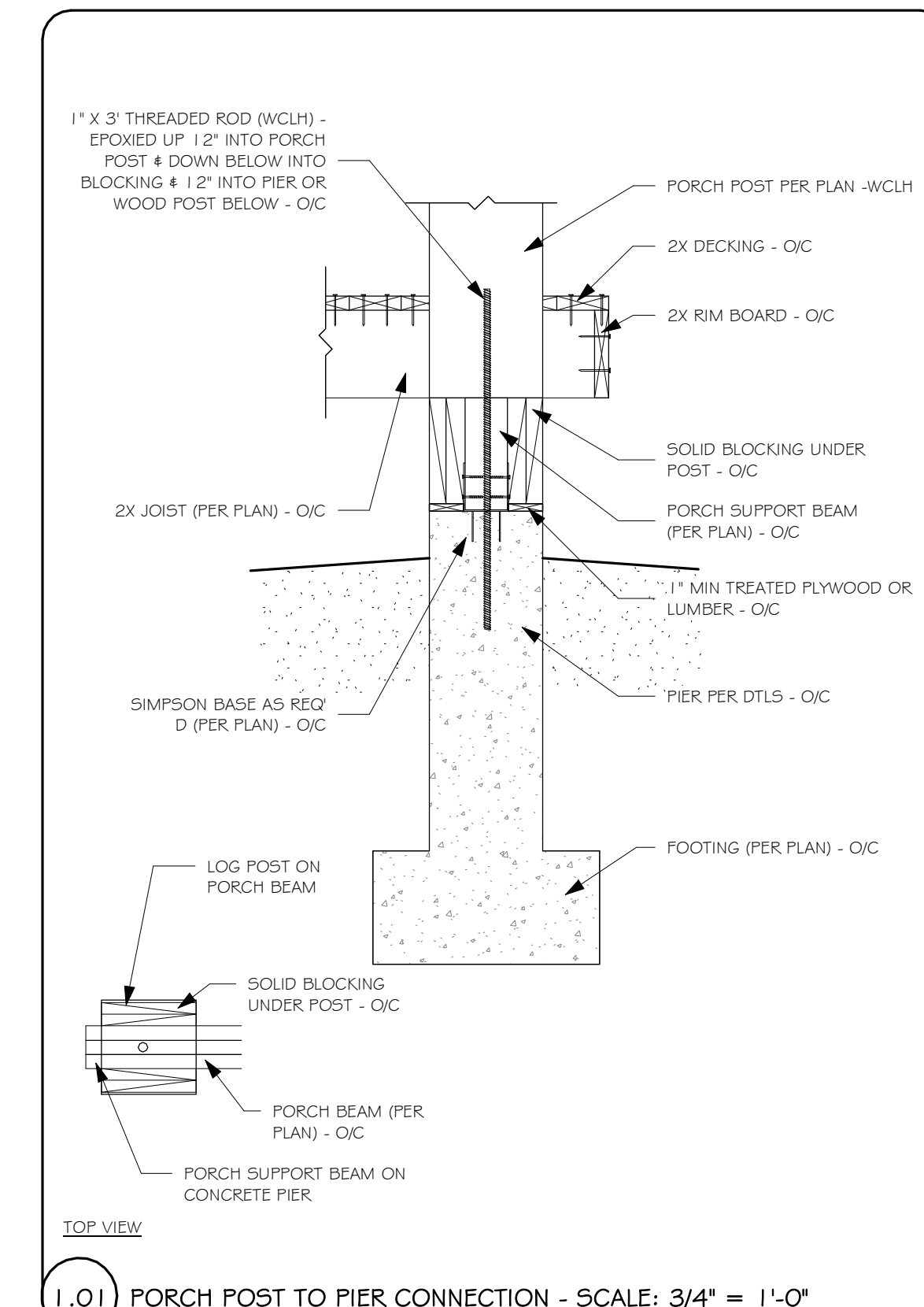
1.04 PORCH TO MAIN FLOOR - SCALE: 3/4" = 1'-0"



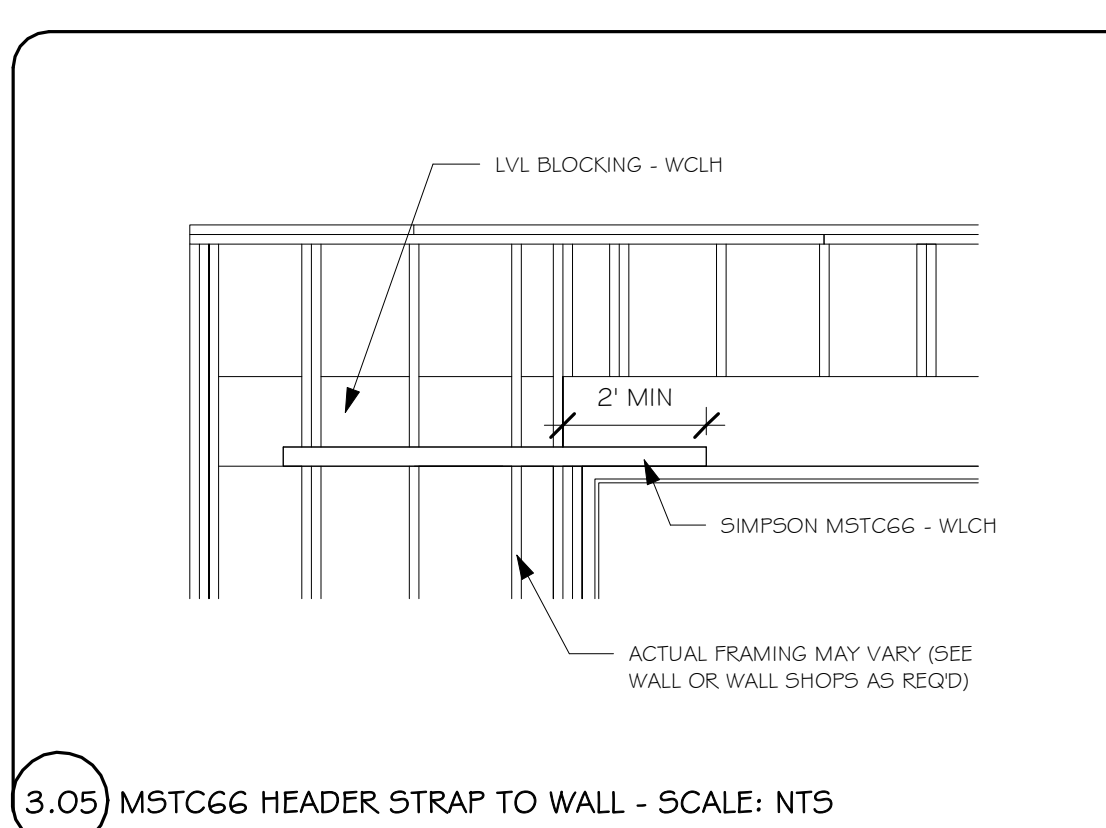
1.03 BEARING POST @ CONC. WALL - SCALE: 3/4" = 1'-0"



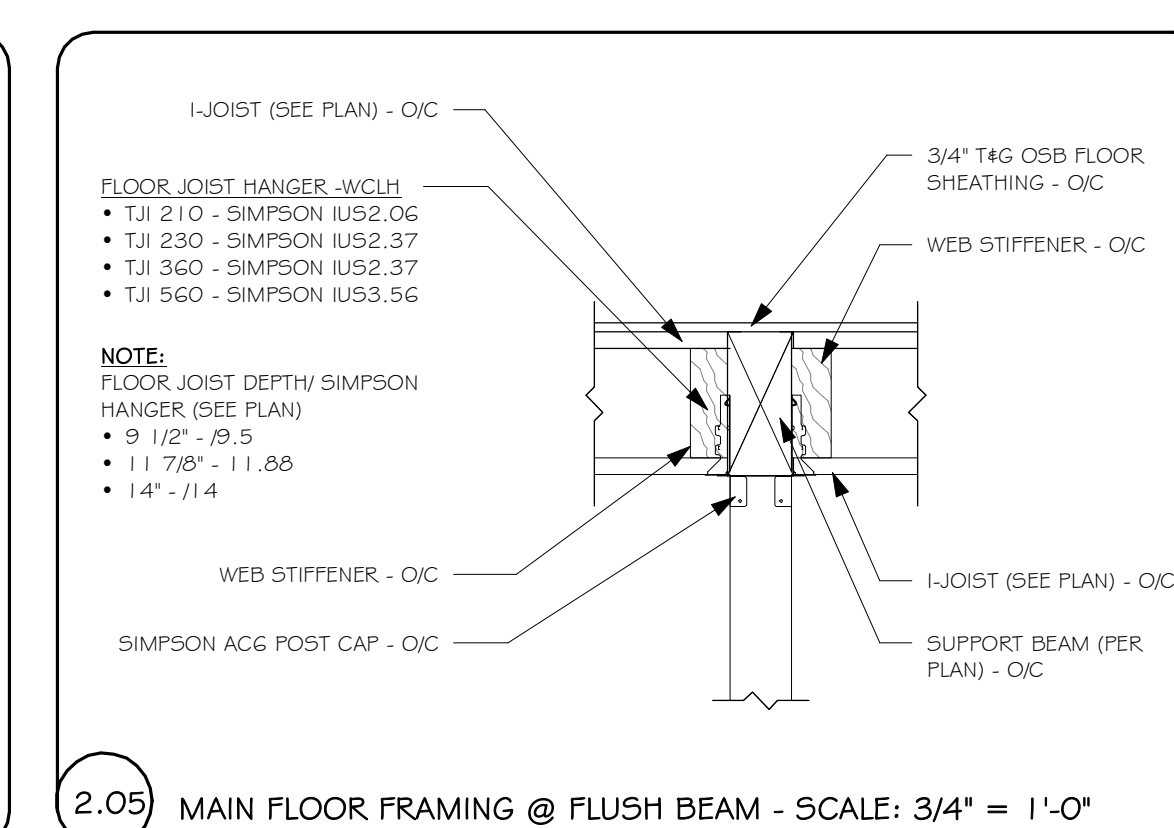
1.02 GABLE STIFFENER AT CONCRETE WALL - SCALE: 3/4" = 1'-0"



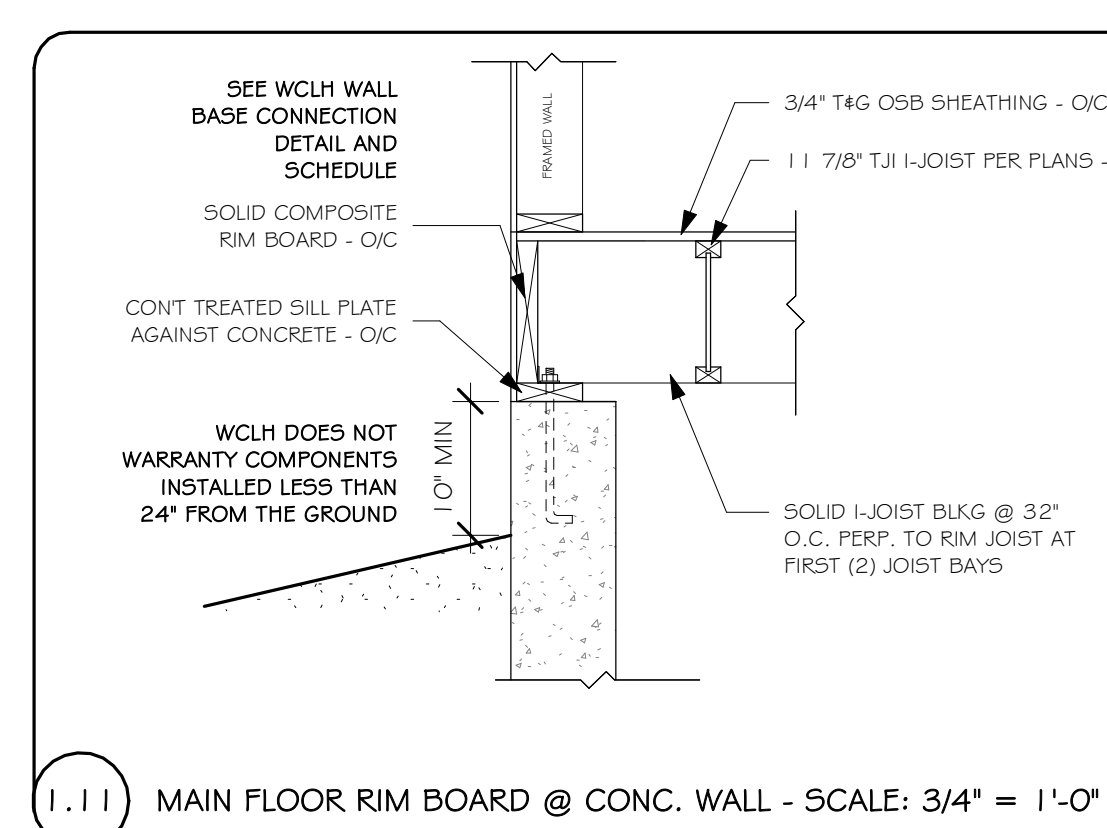
1.01 PORCH POST TO PIER CONNECTION - SCALE: 3/4" = 1'-0"



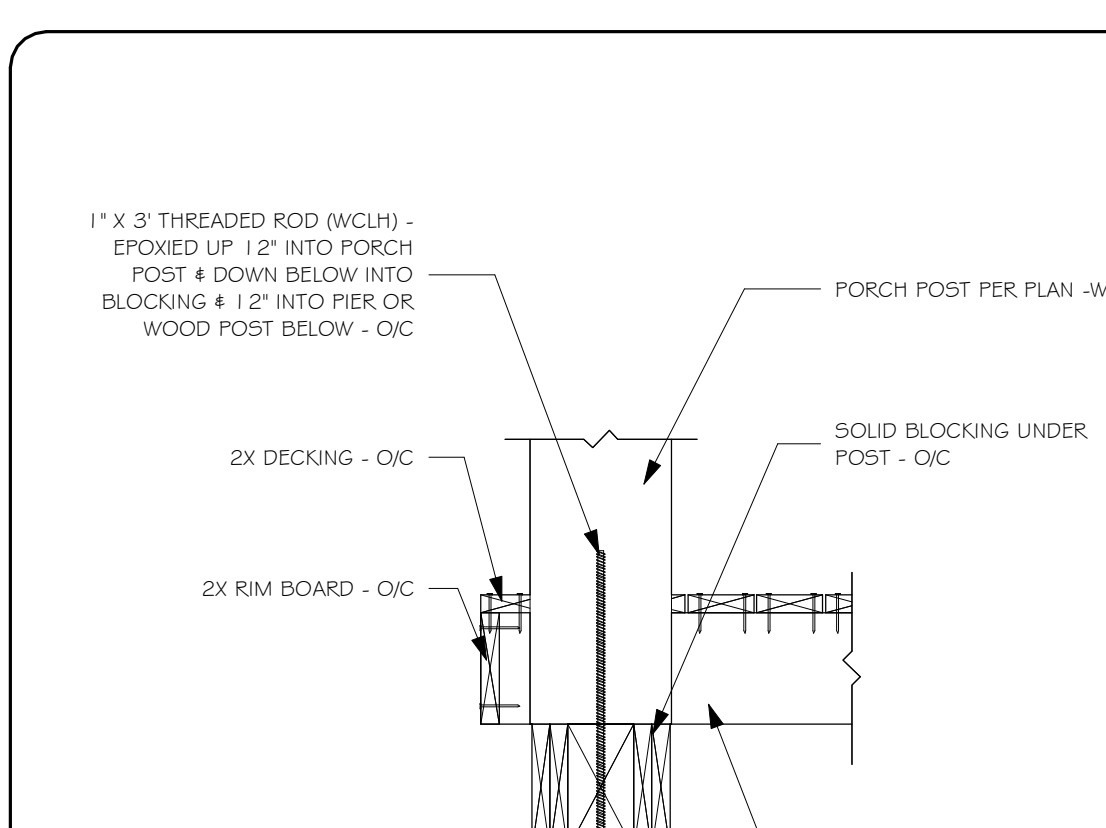
3.05 MSTCG6 HEADER STRAP TO WALL - SCALE: NTS



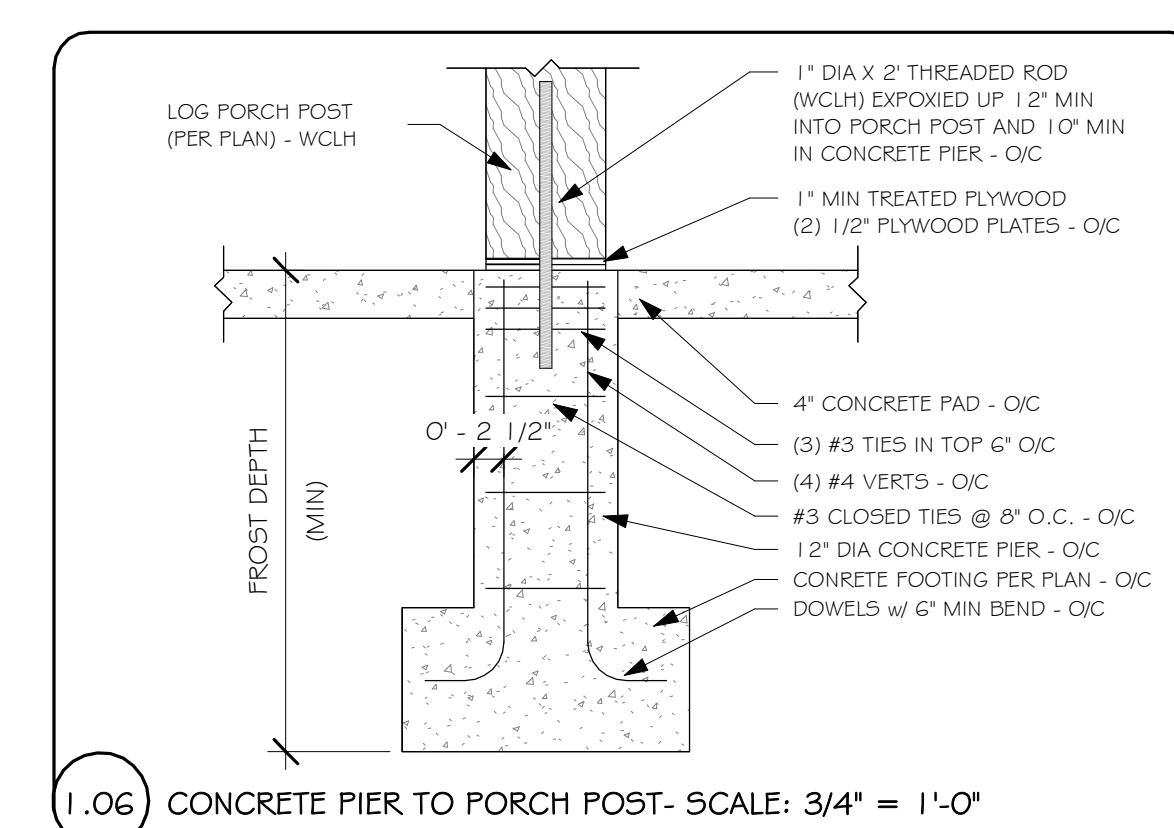
2.05 MAIN FLOOR FRAMING @ FLUSH BEAM - SCALE: 3/4" = 1'-0"



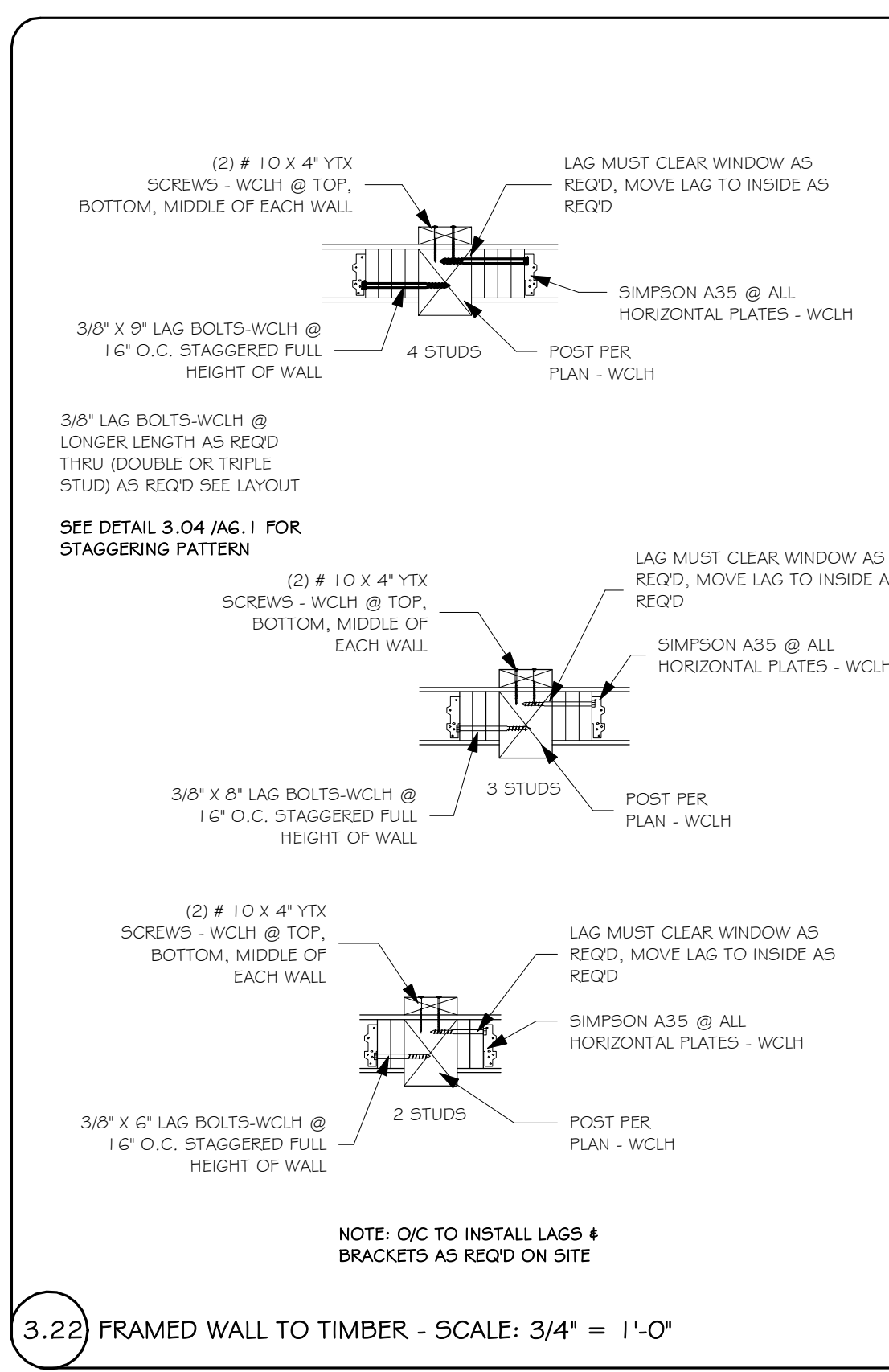
1.11 MAIN FLOOR RIM BOARD @ CONC. WALL - SCALE: 3/4" = 1'-0"



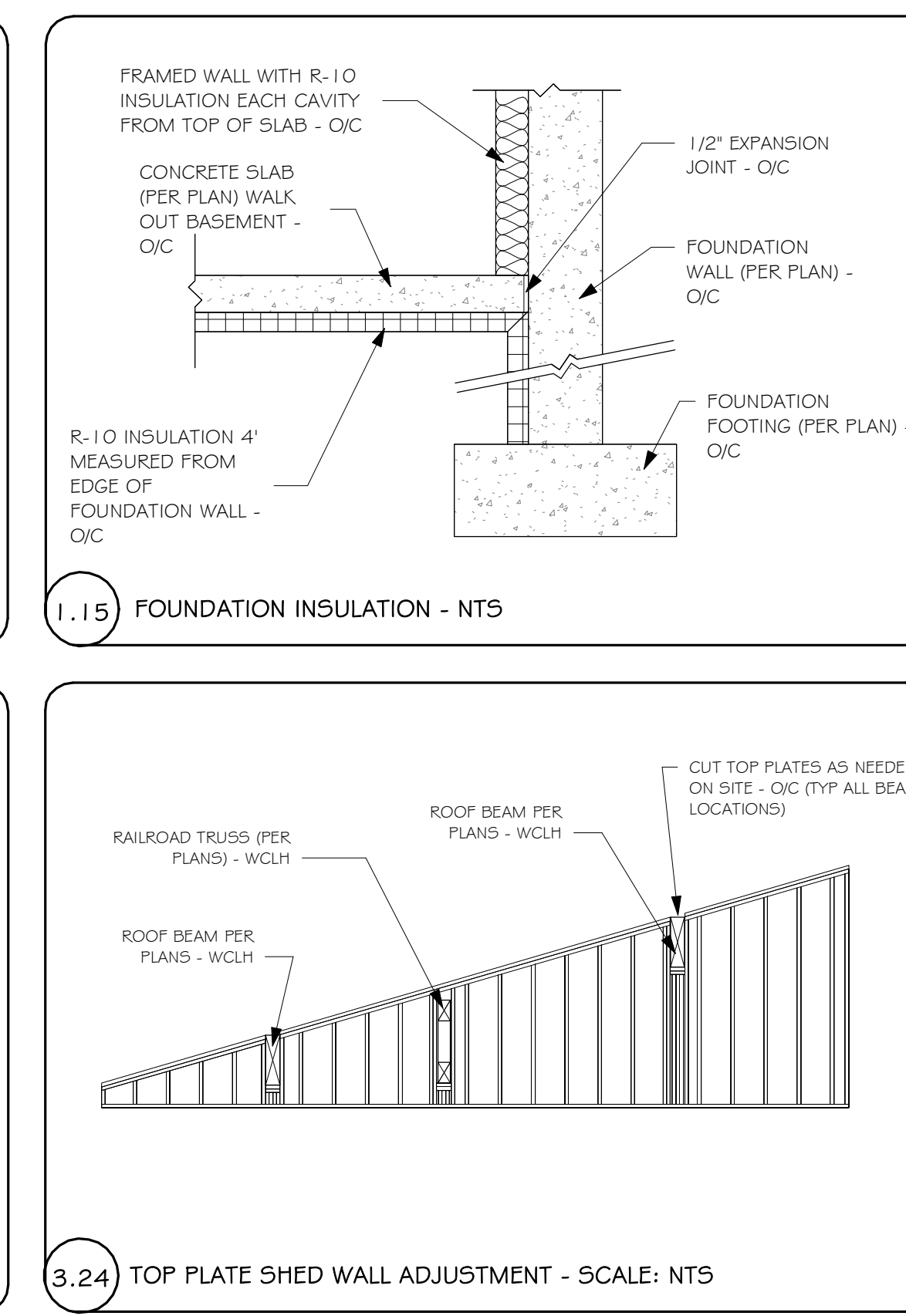
1.10 PORCH POST TO LOWER PORCH POST - SCALE: 3/4" = 1'-0"



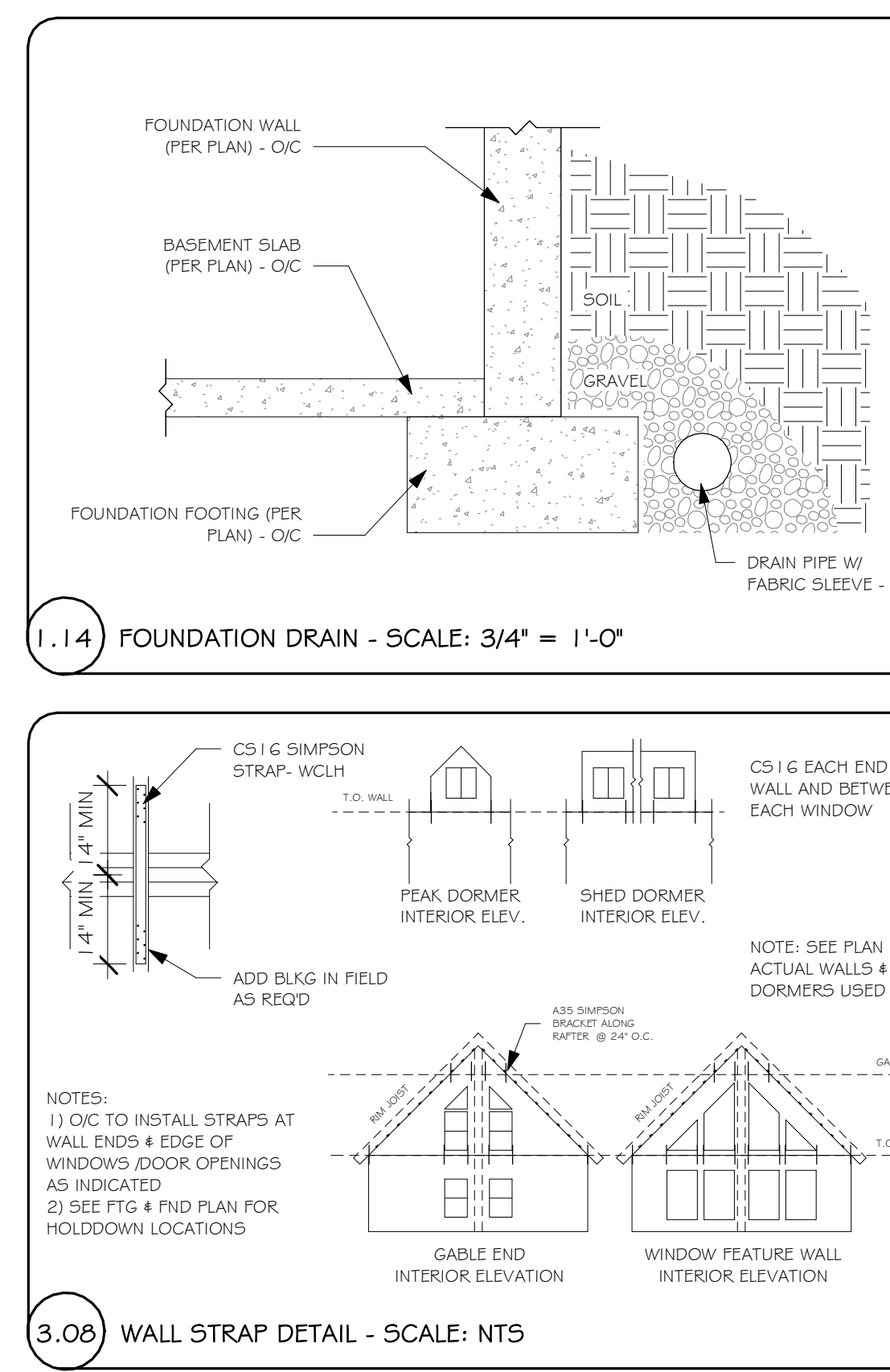
1.06 CONCRETE PIER TO PORCH POST - SCALE: 3/4" = 1'-0"



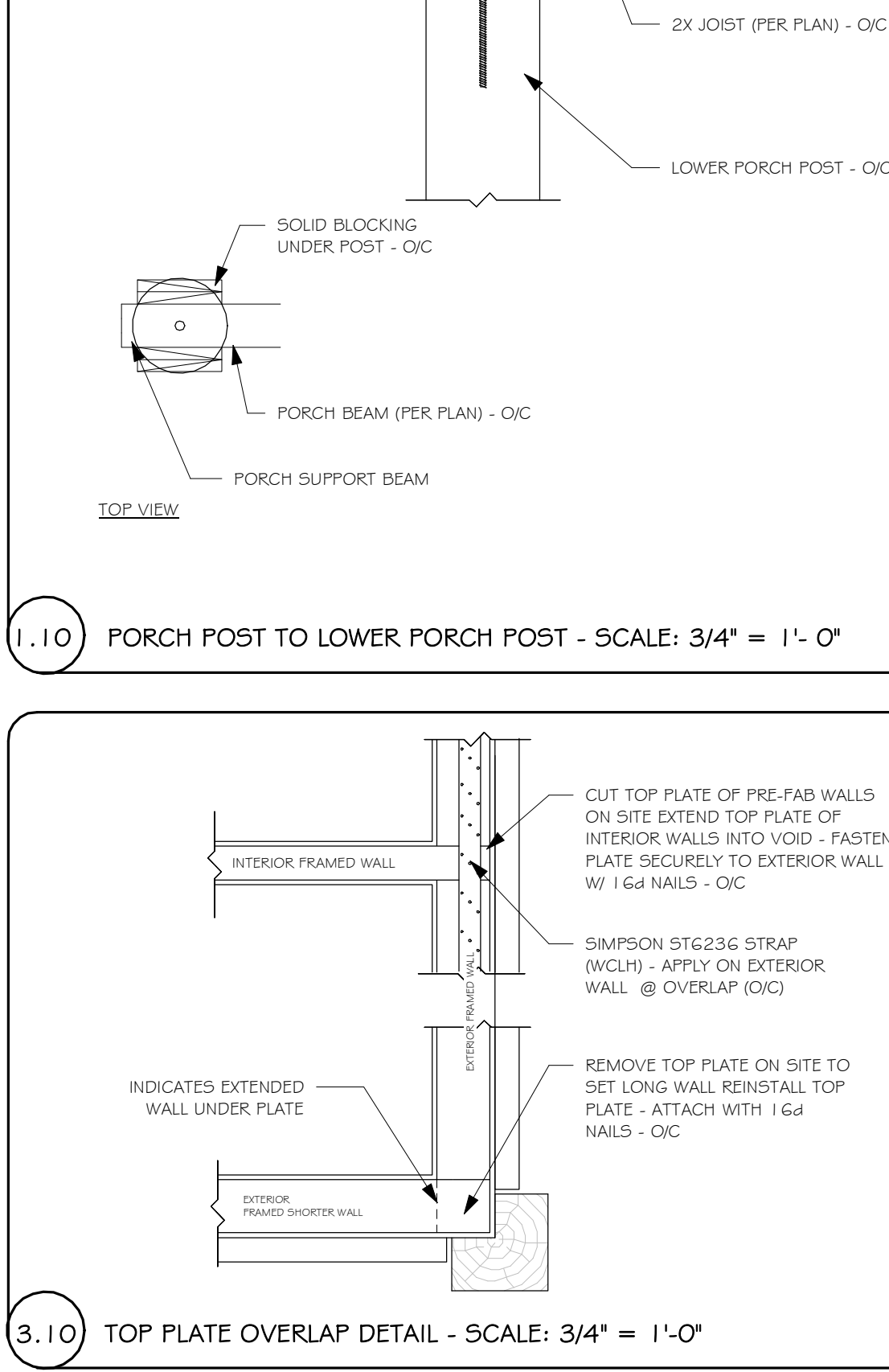
3.22 FRAMED WALL TO TIMBER - SCALE: 3/4" = 1'-0"



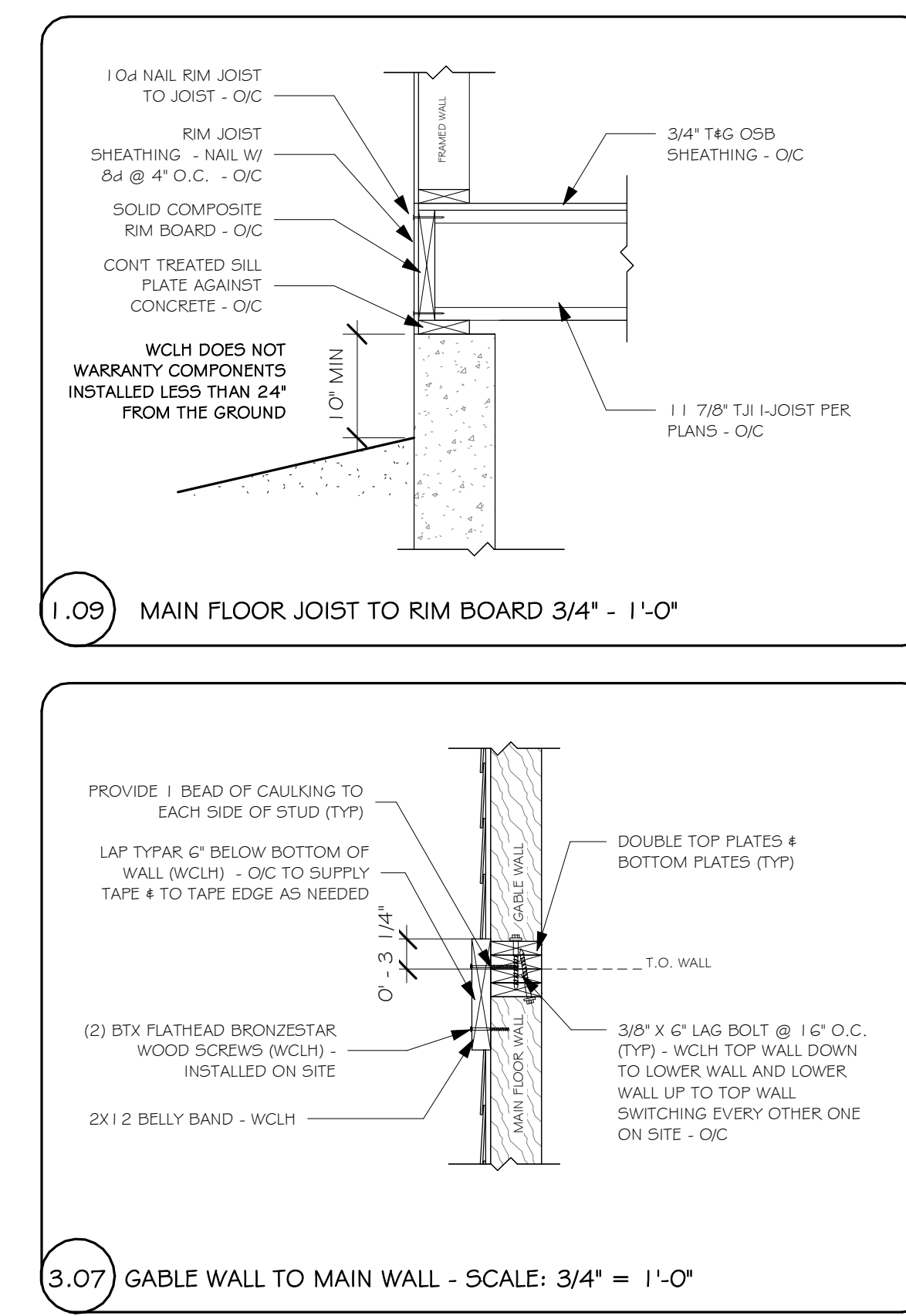
3.24 TOP PLATE SHED WALL ADJUSTMENT - SCALE: NTS



3.08 WALL STRAP DETAIL - SCALE: NTS



3.10 TOP PLATE OVERLAP DETAIL - SCALE: 3/4" = 1'-0"



3.07 GABLE WALL TO MAIN WALL - SCALE: 3/4" = 1'-0"

10/16/2020 11:58:26 AM



Whisper Creek
By Rocky Mountain Homes

1993 Highway 93 South
Hamilton, MT 59840
ph. 406.363.5680
fx. 406.363.6537
wchdesign@rhm.com

THESE PLANS, DRAWINGS, AND DESIGNS ARE THE PROPERTY OF WHISPER CREEK LOG HOMES (WCLH). ALL RIGHTS RESERVED AND SHALL NOT BE REPRODUCED OR COPIED WITHOUT THE EXPRESSED WRITTEN CONSENT FROM AN OFFICER OF WCLH. UNDER PENALTY OF PROSECUTION THESE PLANS ARE RELEASED FOR CONSTRUCTION ON THE SITE DESCRIBED HEREON AND NO OTHER.

THESE DESIGNS AND DETAILS ARE BASED ON MANY YEARS OF CONSTRUCTION, DESIGN, AND ENGINEERING PRACTICE IN NUMEROUS DIVERSE JURISDICTIONS. THE PURPOSE IS TO PROVIDE A BASIS FOR THE DESIGNS INCORPORATED IN WHISPER CREEK LOG HOMES (WCLH). HOWEVER, IT IS THE RESPONSIBILITY OF THE OWNER TO CONSULT WITH ARCHITECT OR ENGINEER OF RECORD (E.O.R.) TO REVIEW AND VERIFY ANY AND ALL OF THE ASSUMPTIONS MADE AND DESIGNS PRESENTED. WCLH MAKES NO WARRANTY OR GUARANTEE AS TO THE FINAL SITE SPECIFIC APPLICABILITY OF THE DESIGN. ANY AND ALL PROPOSED CHANGES BY THE E.O.R. SHALL BE COORDINATED WITH WCLH. ALL CHANGES MUST BE APPROVED IN WRITING BY WCLH. IF APPROVED, ALL CHANGES WILL RESULT IN ADDITIONAL COSTS AND MAY REQUIRE MODIFICATIONS TO THE PLANS AND WALLS.

ARCHITECT/ENGINEER OF RECORD:

JUL 26, 2023 4:54PM



STRUCTURAL ONLY

REVISIONS

| No. | By: | Date: |
|-----|-----|-------|
| | | |
| | | |

PROJECT NAME:

SUMMIT

OWNER:

JUSTIN MEYER

ADDRESS:

CABIN SITE 66
SAN MIGUEL COUNTY, CO

DRAWING TITLE:

FRAMING DETAILS

PROJECT NO.:

FINALS

DRAWN BY: JCF

CHECKED BY: MANAGER

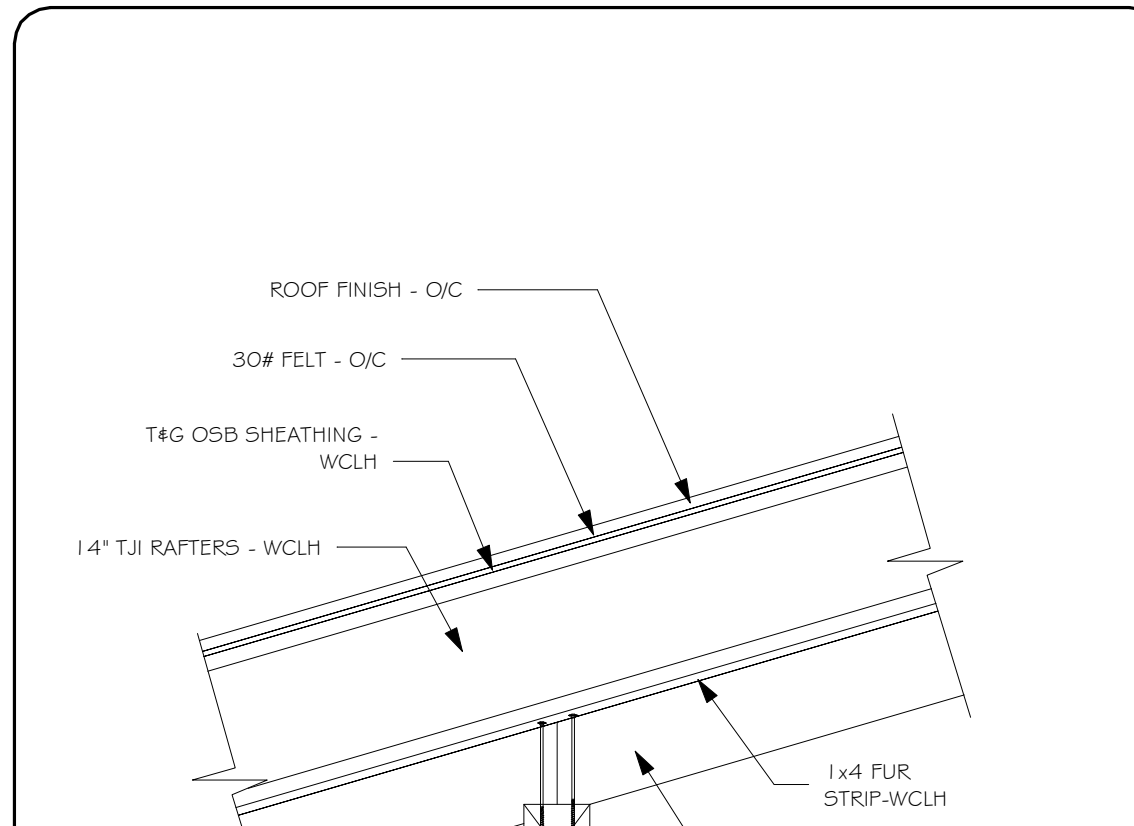
DATE: 10/16/2020 11:58:28 AM

SHEET NO.:

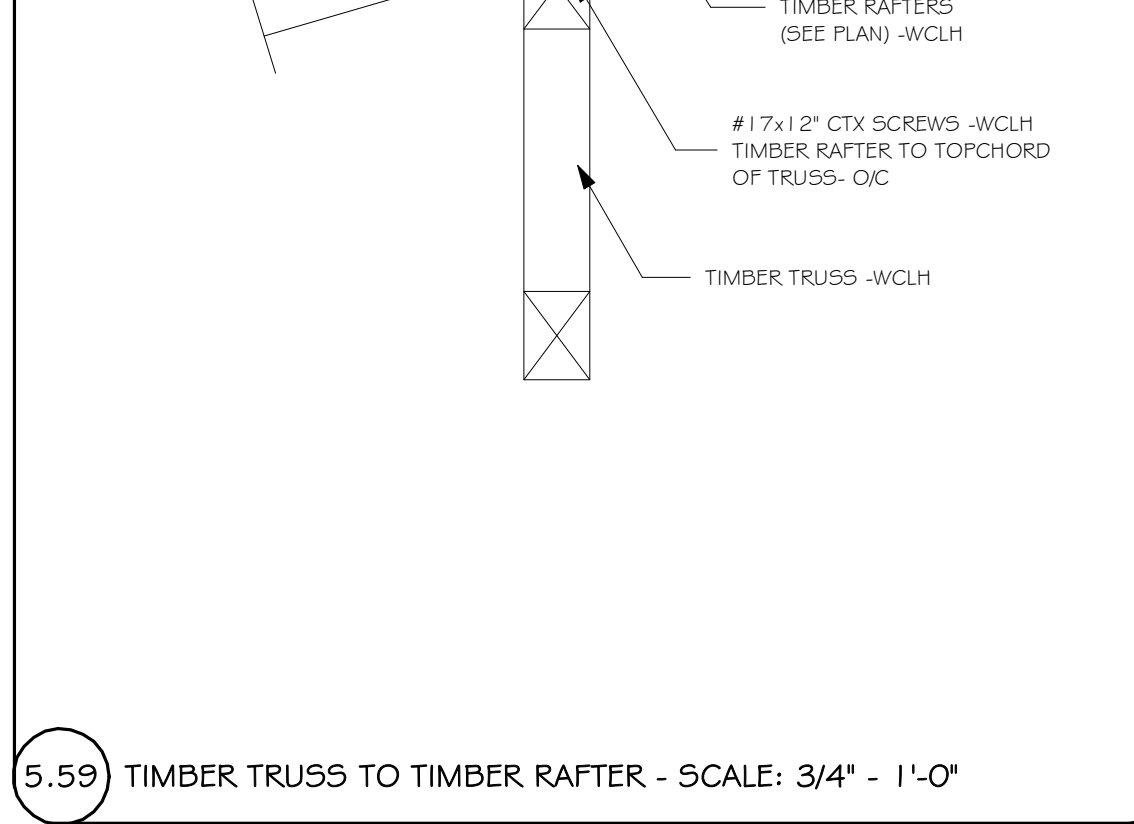
A6.1

7014-000

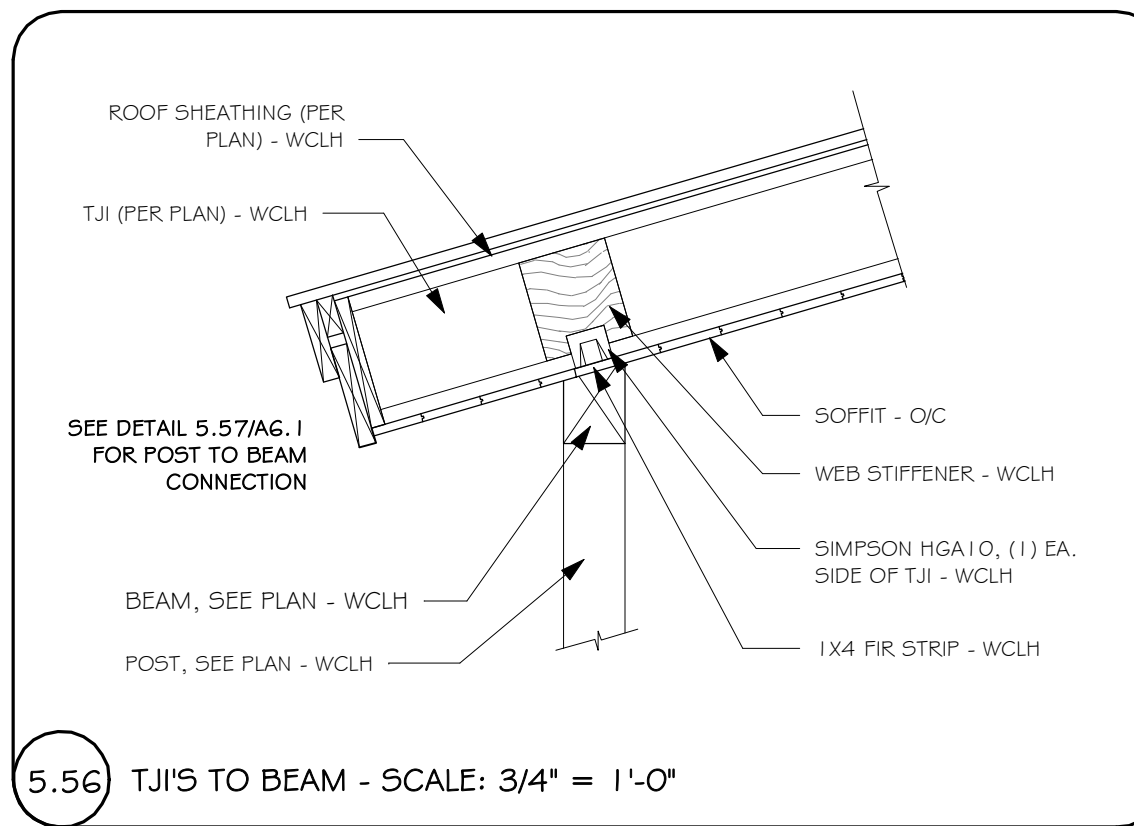
PLANNING



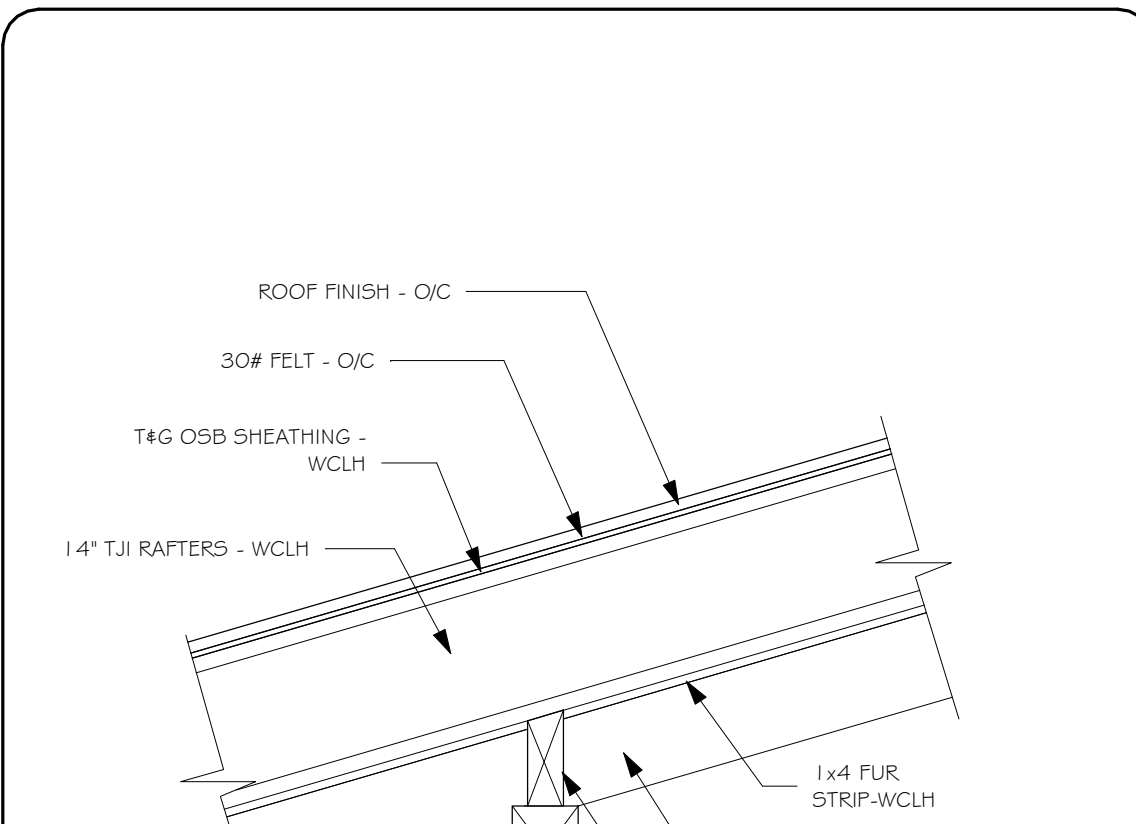
5.58 2X PORCH RAFTERS @ WALL - SCALE 3/4" = 1' - 0"



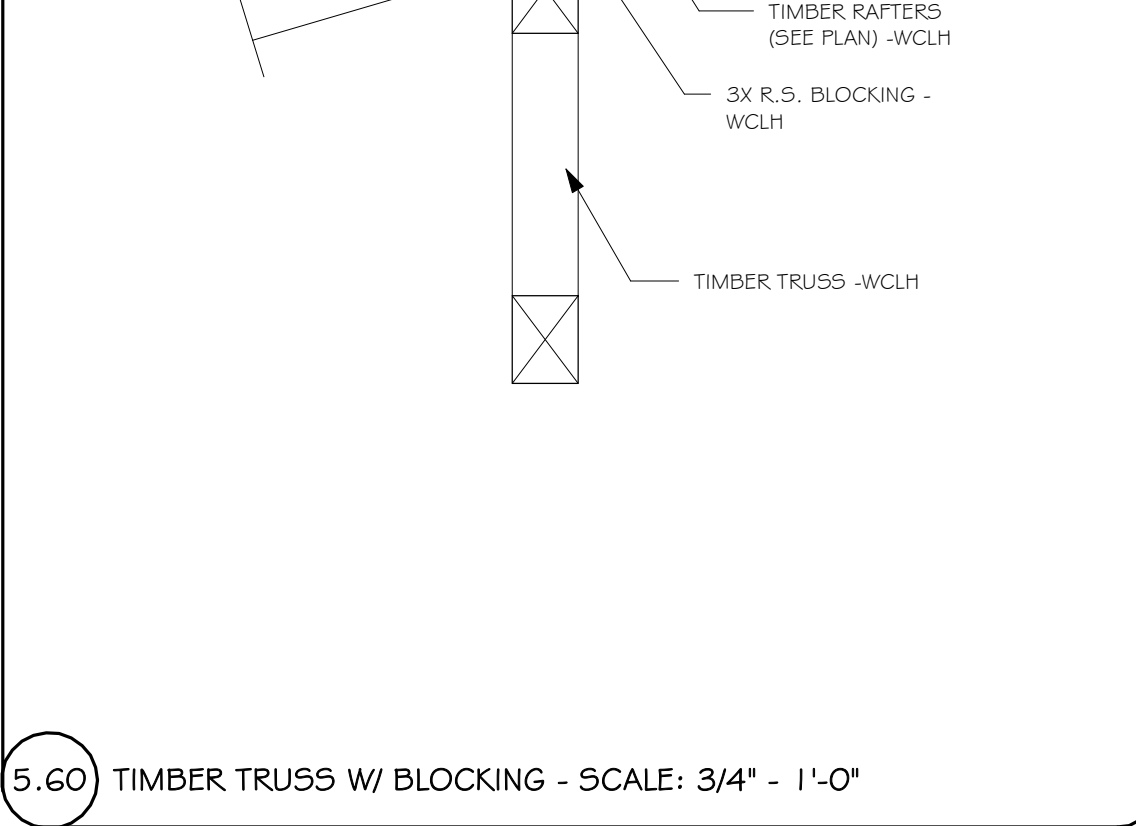
5.59 TIMBER TRUSS TO TIMBER RAFTER - SCALE: 3/4" - 1'-0"



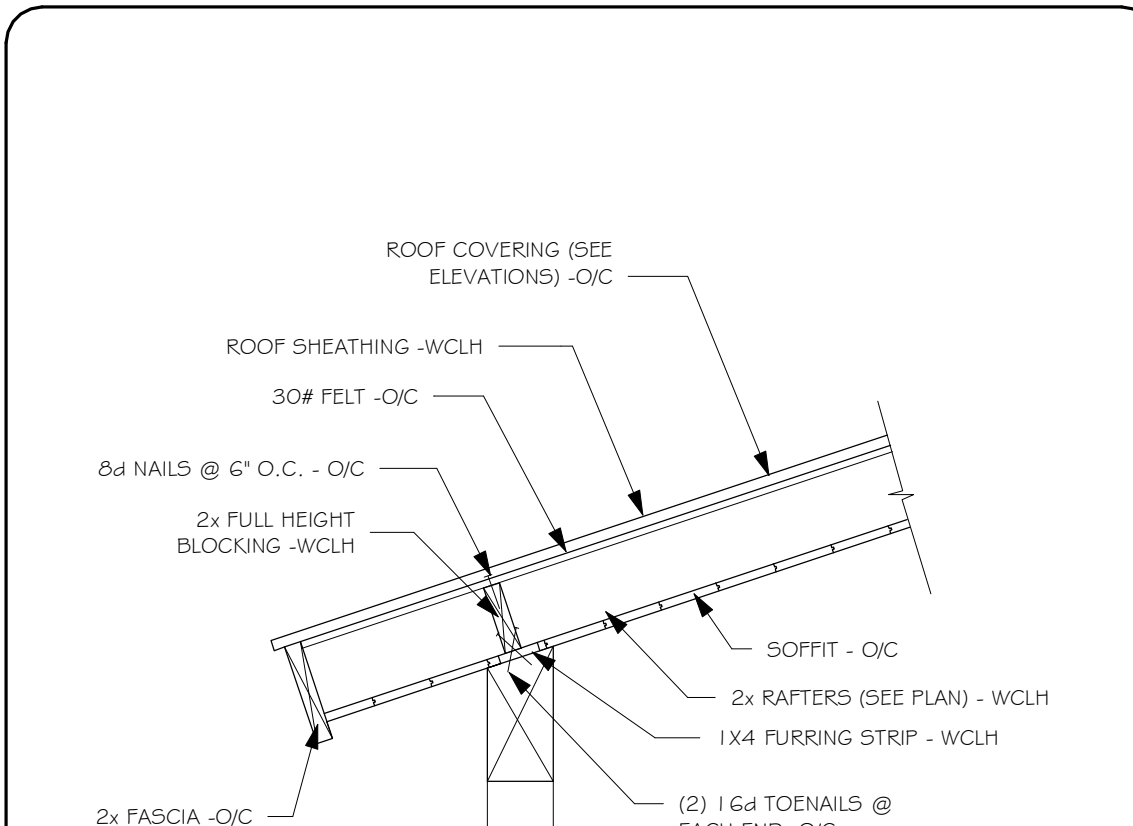
5.56 TJI'S TO BEAM - SCALE: 3/4" = 1'-0"



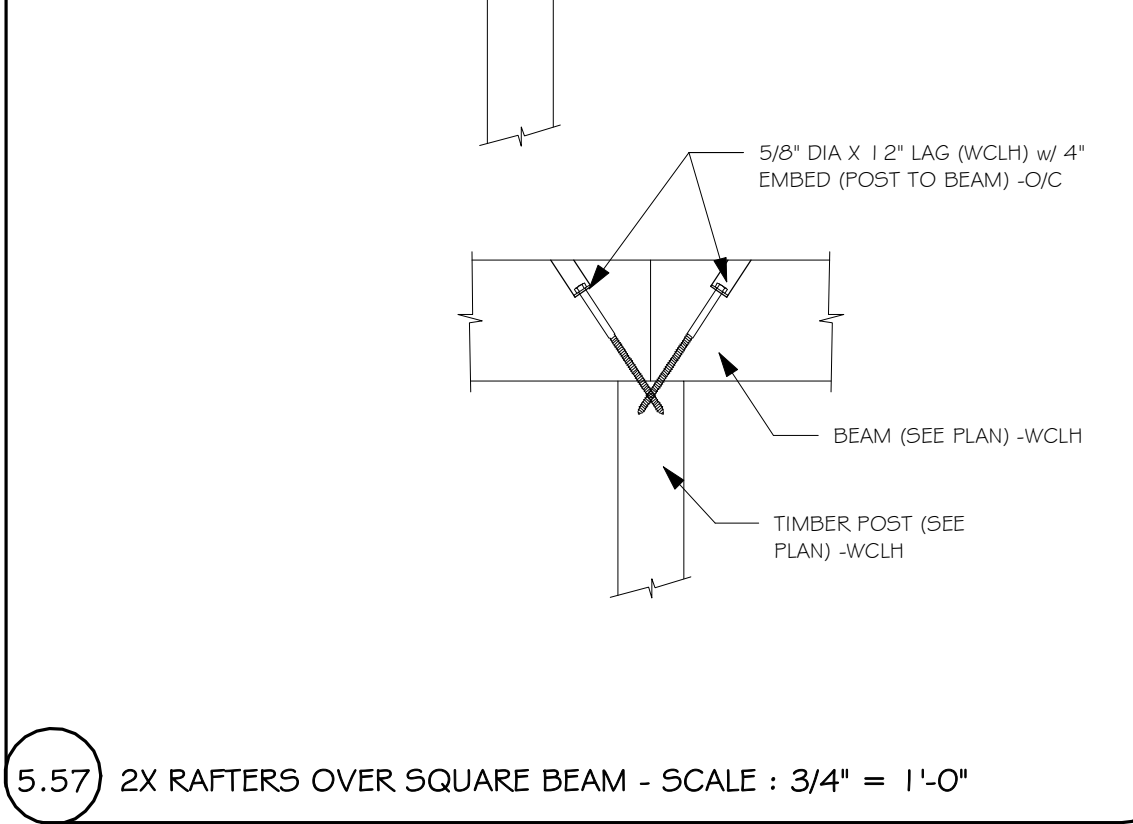
5.57 2X RAFTERS OVER SQUARE BEAM - SCALE: 3/4" = 1'-0"



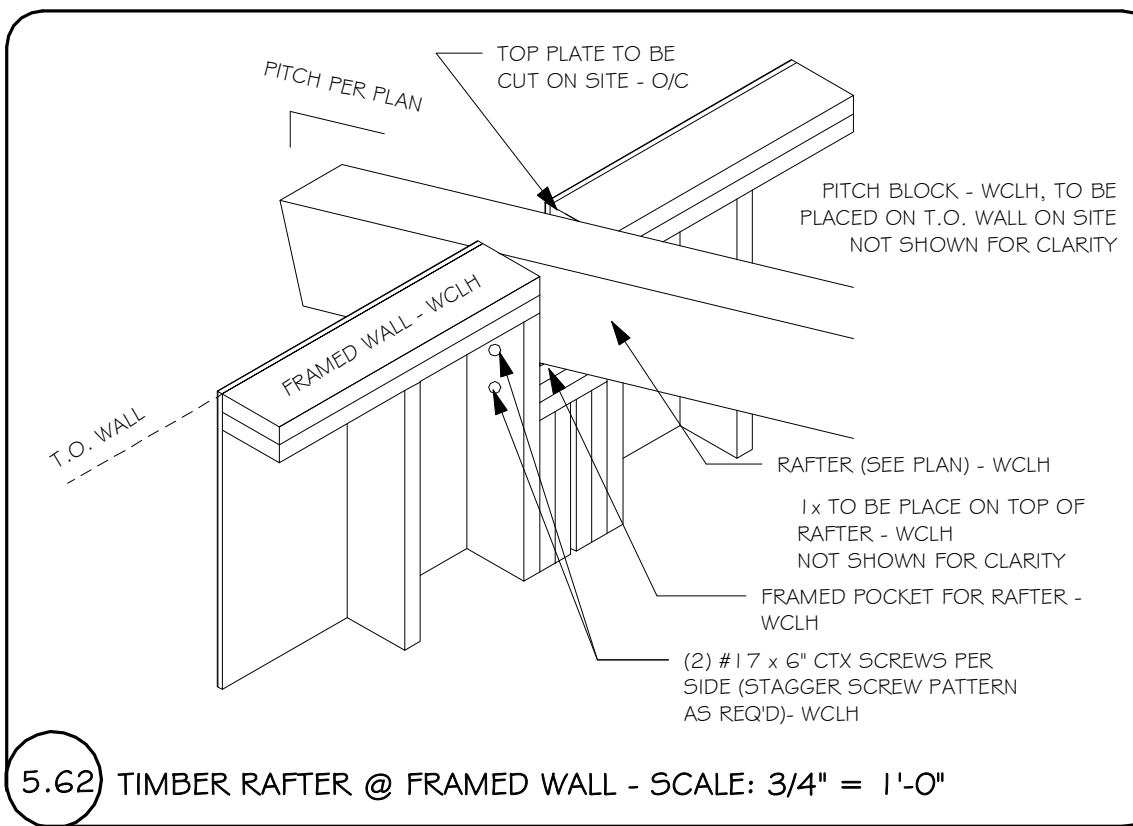
5.60 TIMBER TRUSS W/ BLOCKING - SCALE: 3/4" - 1'-0"



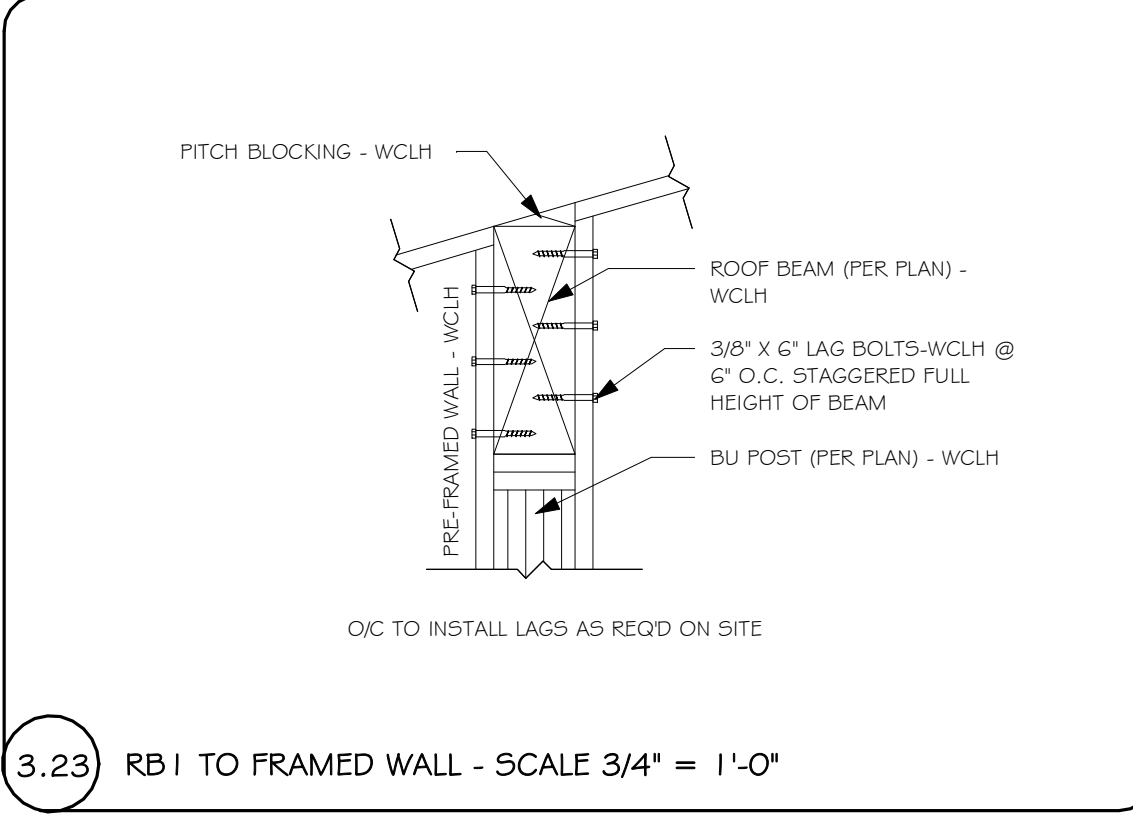
5.07 BEARING BLOCK DETAIL - SCALE: 3/4" = 1'-0"



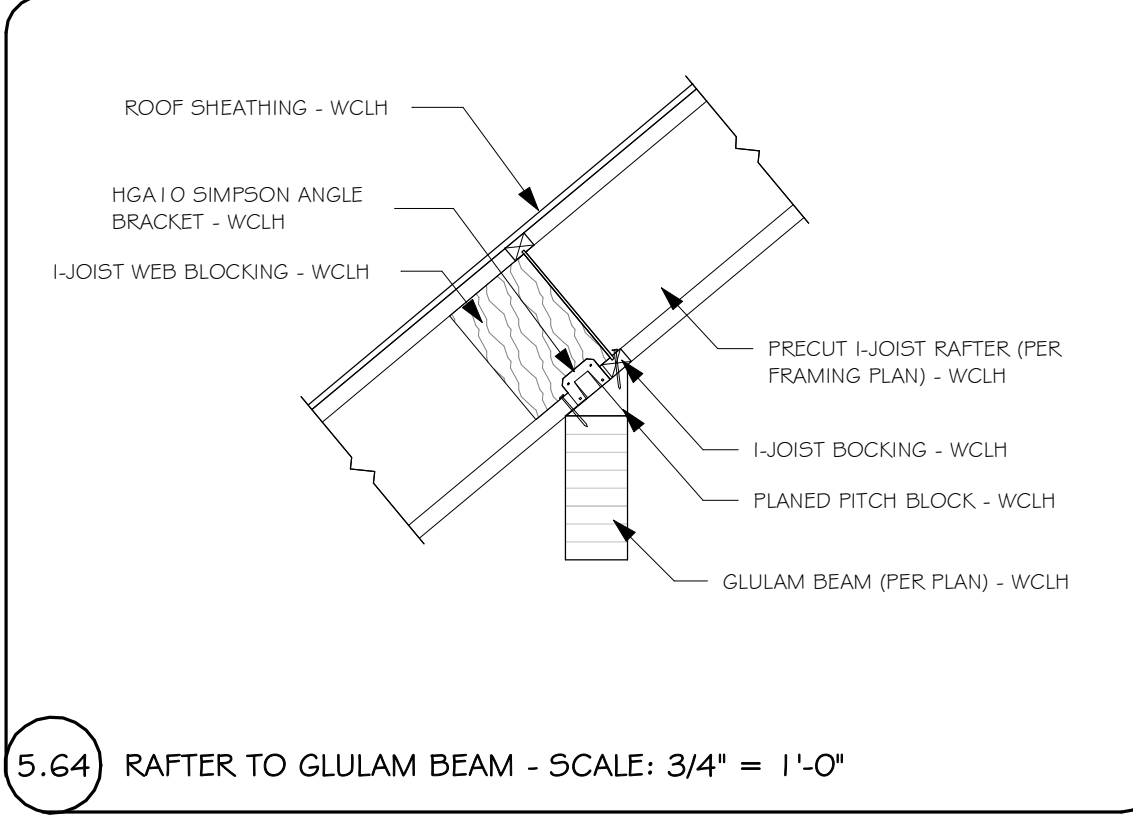
5.57 2X RAFTERS OVER SQUARE BEAM - SCALE: 3/4" = 1'-0"



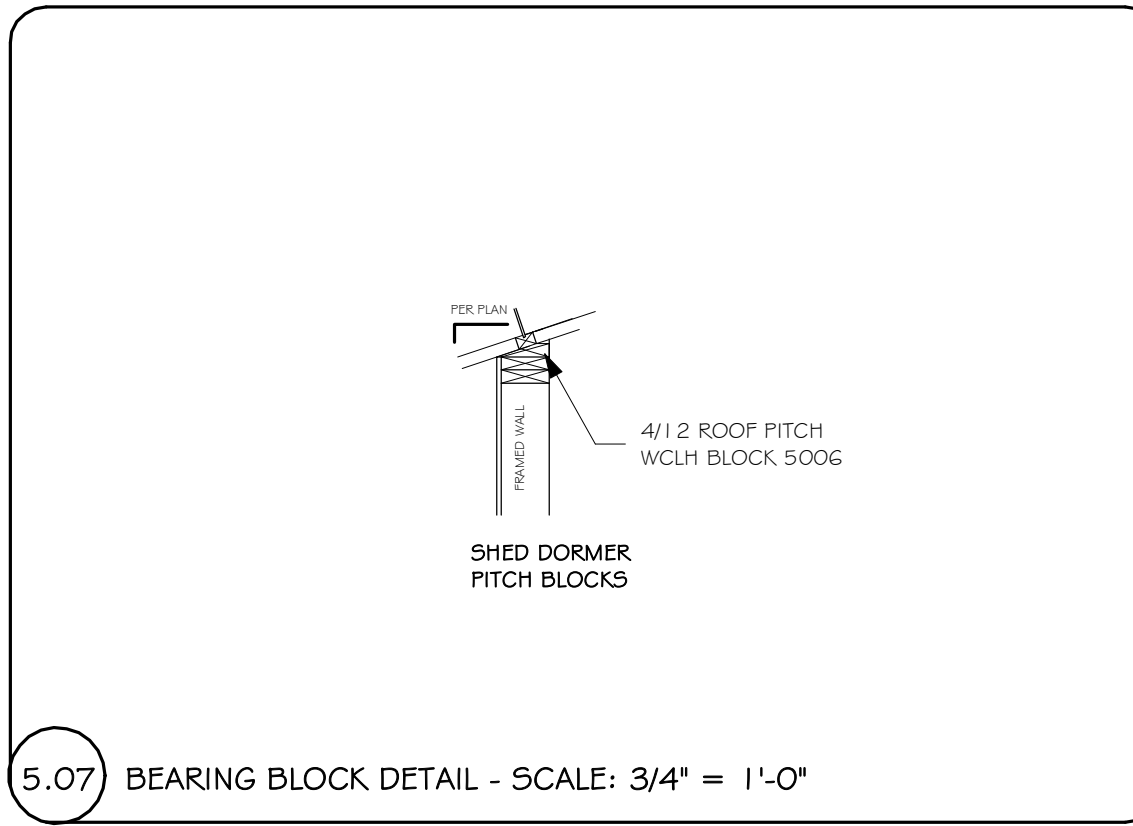
5.62 TIMBER RAFTER @ FRAMED WALL - SCALE: 3/4" = 1'-0"



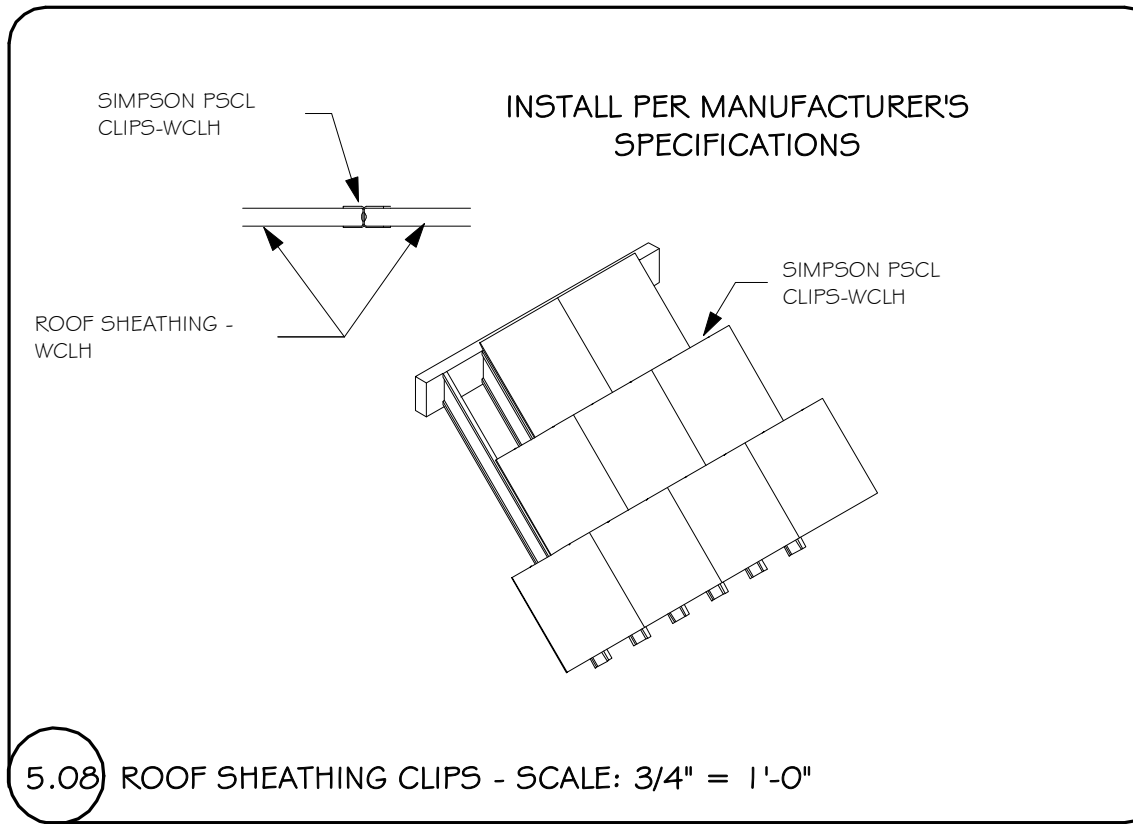
5.63 TIMBER RAFTERS TO OUTLOOKERS - SCALE: 3/4" = 1'-0"



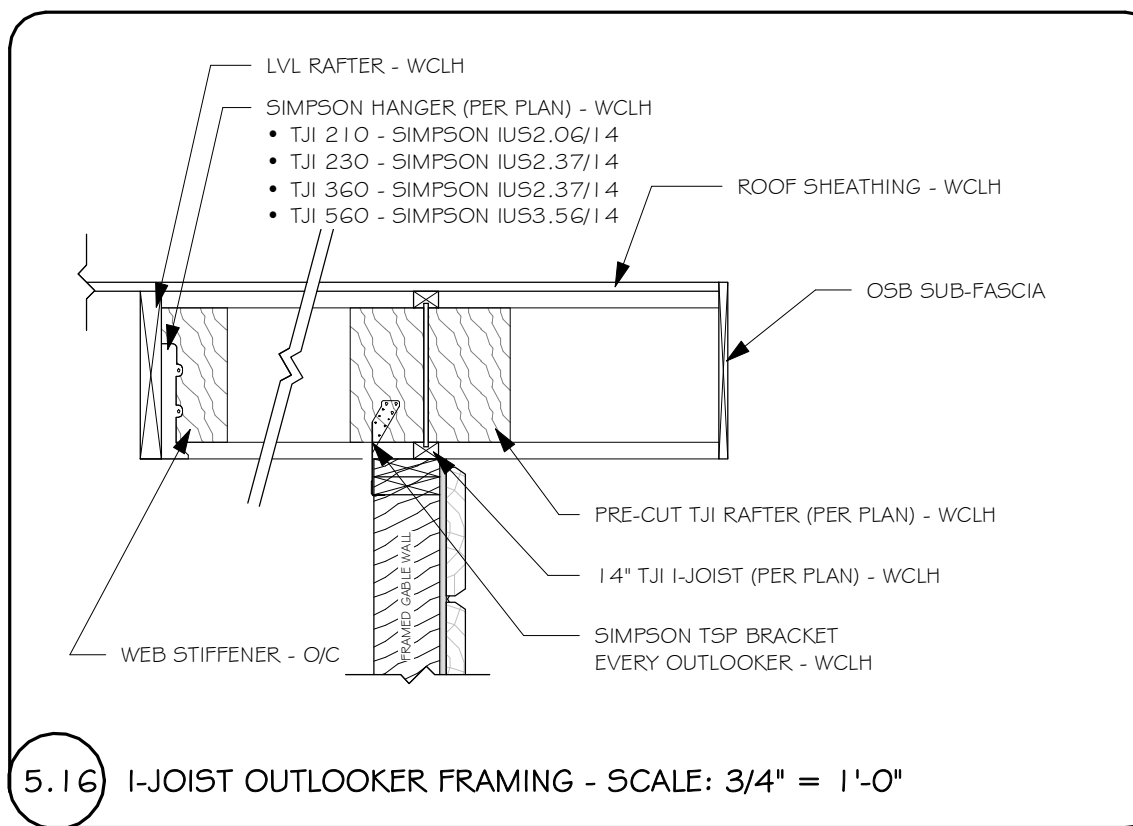
5.64 RAFTER TO GLULAM BEAM - SCALE: 3/4" = 1'-0"



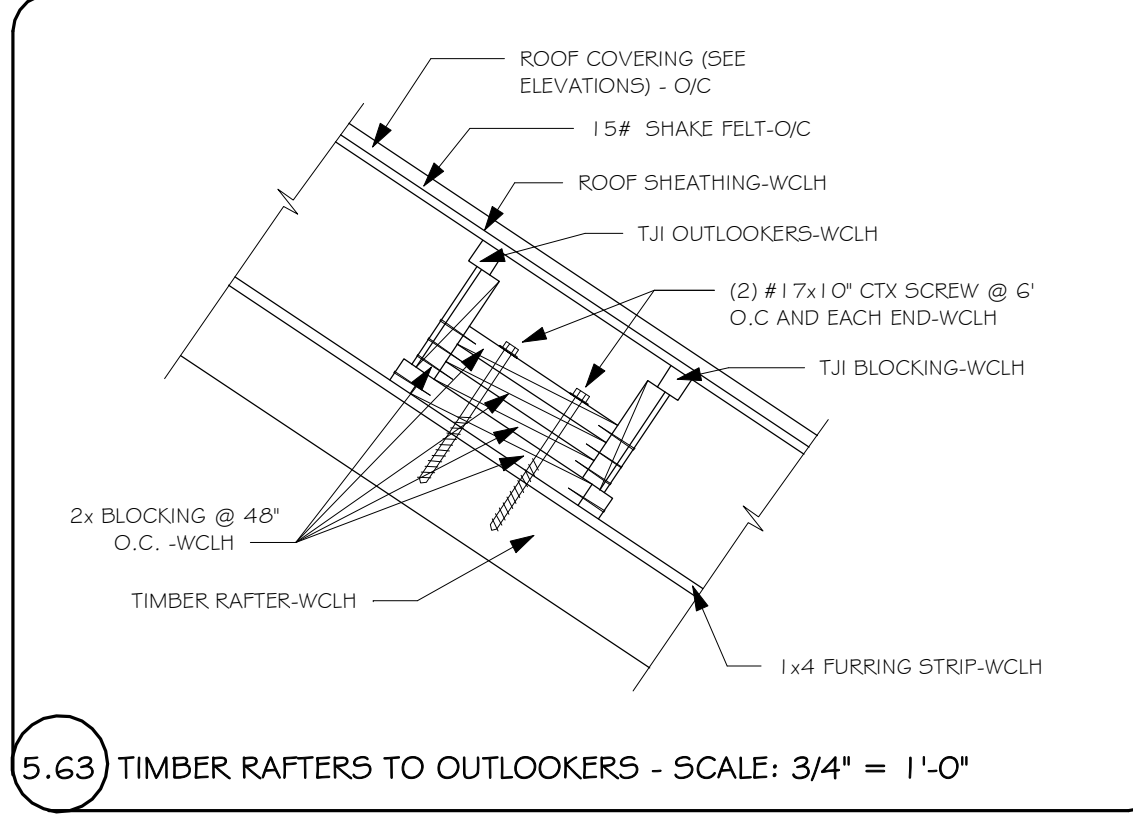
5.07 BEARING BLOCK DETAIL - SCALE: 3/4" = 1'-0"



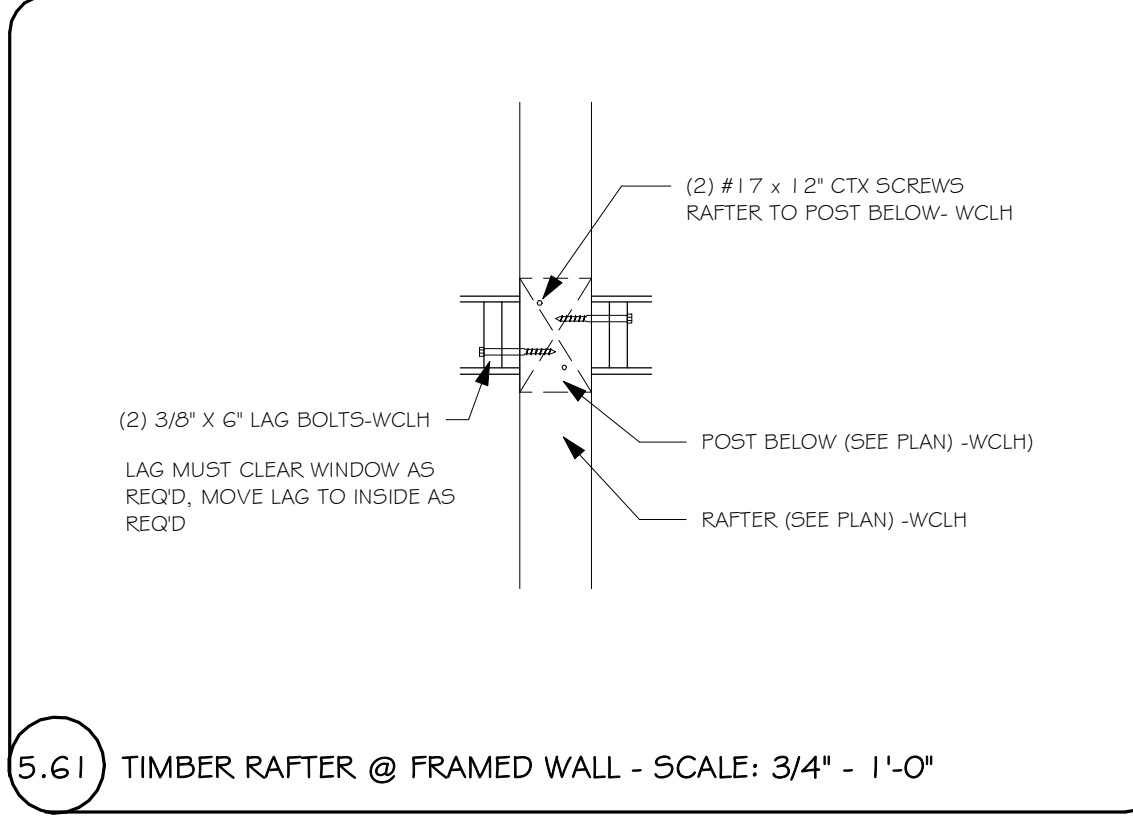
5.08 ROOF SHEATHING CLIPS - SCALE: 3/4" = 1'-0"



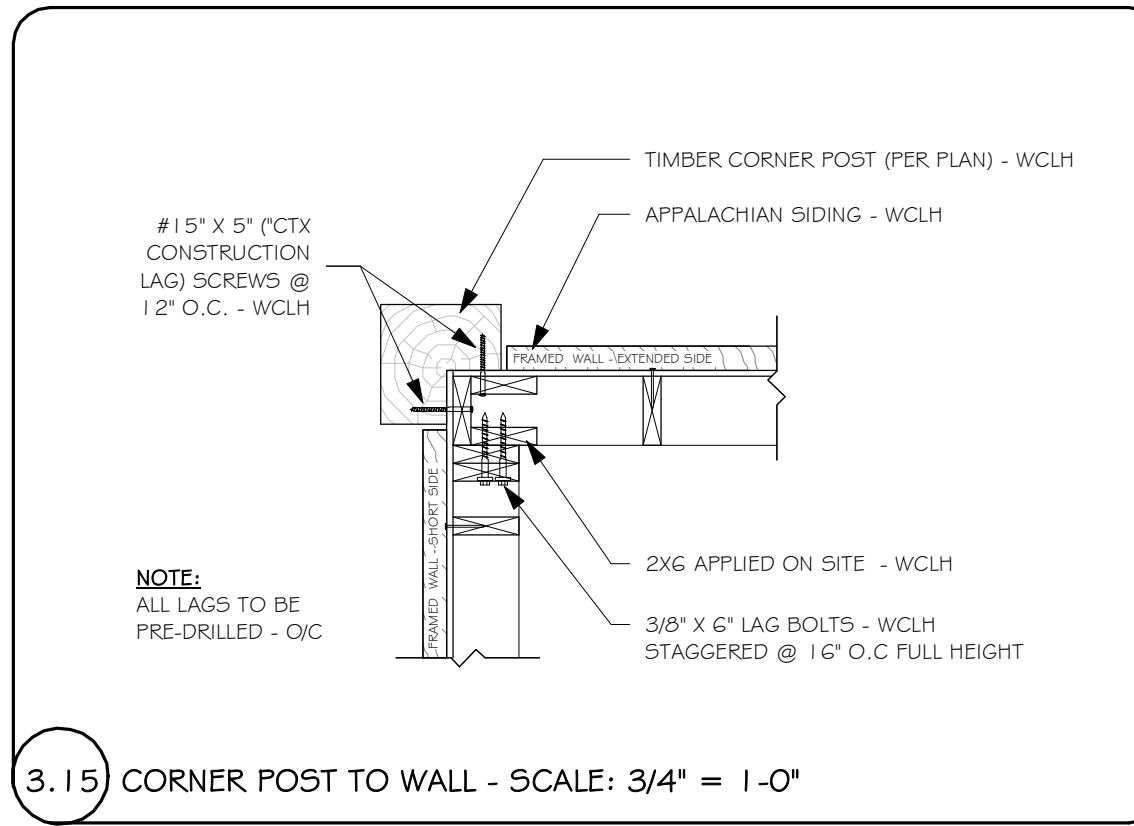
5.16 I-JOIST OUTLOOKER FRAMING - SCALE: 3/4" = 1'-0"



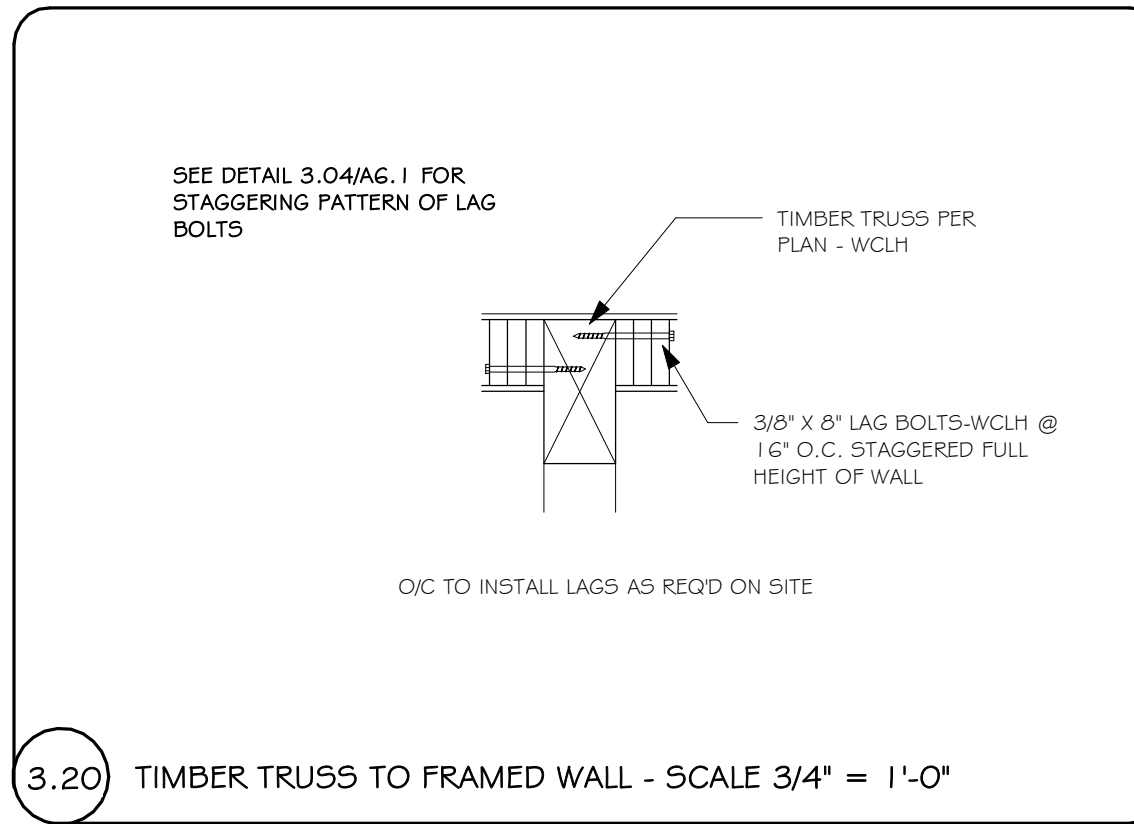
5.63 TIMBER RAFTERS TO OUTLOOKERS - SCALE: 3/4" = 1'-0"



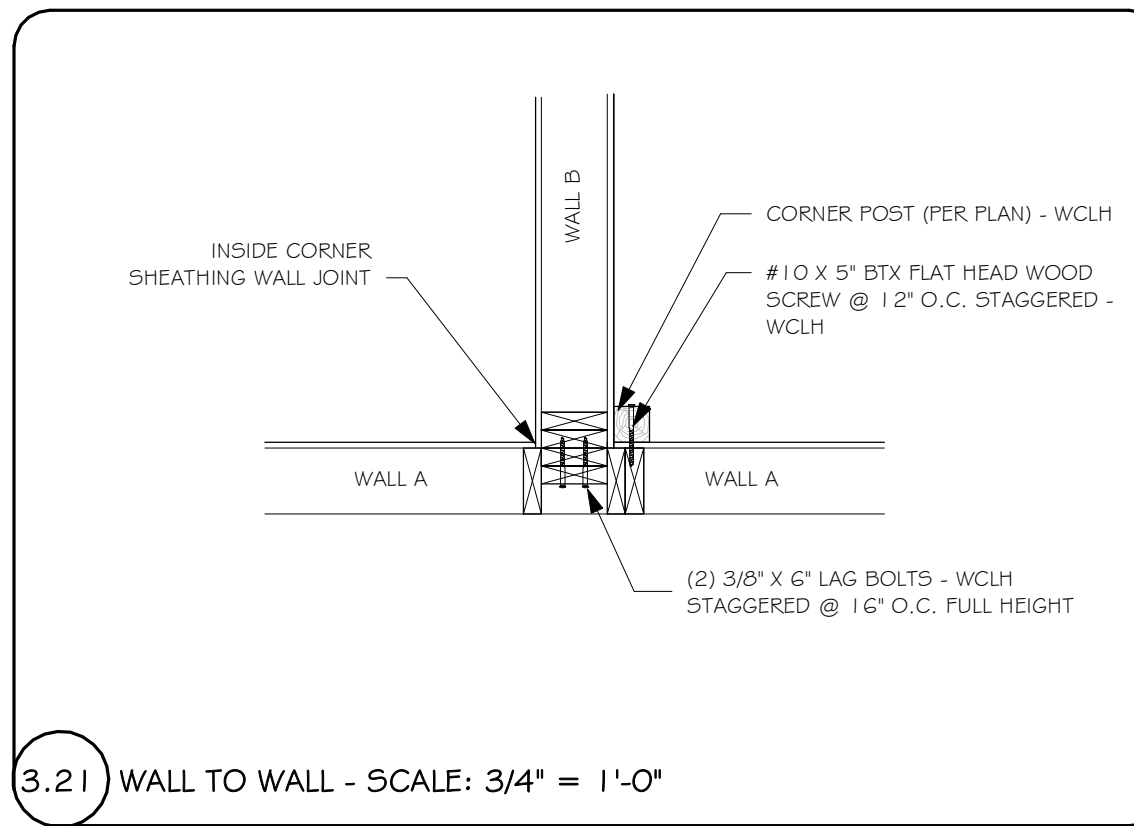
5.61 TIMBER RAFTER @ FRAMED WALL - SCALE: 3/4" - 1'-0"



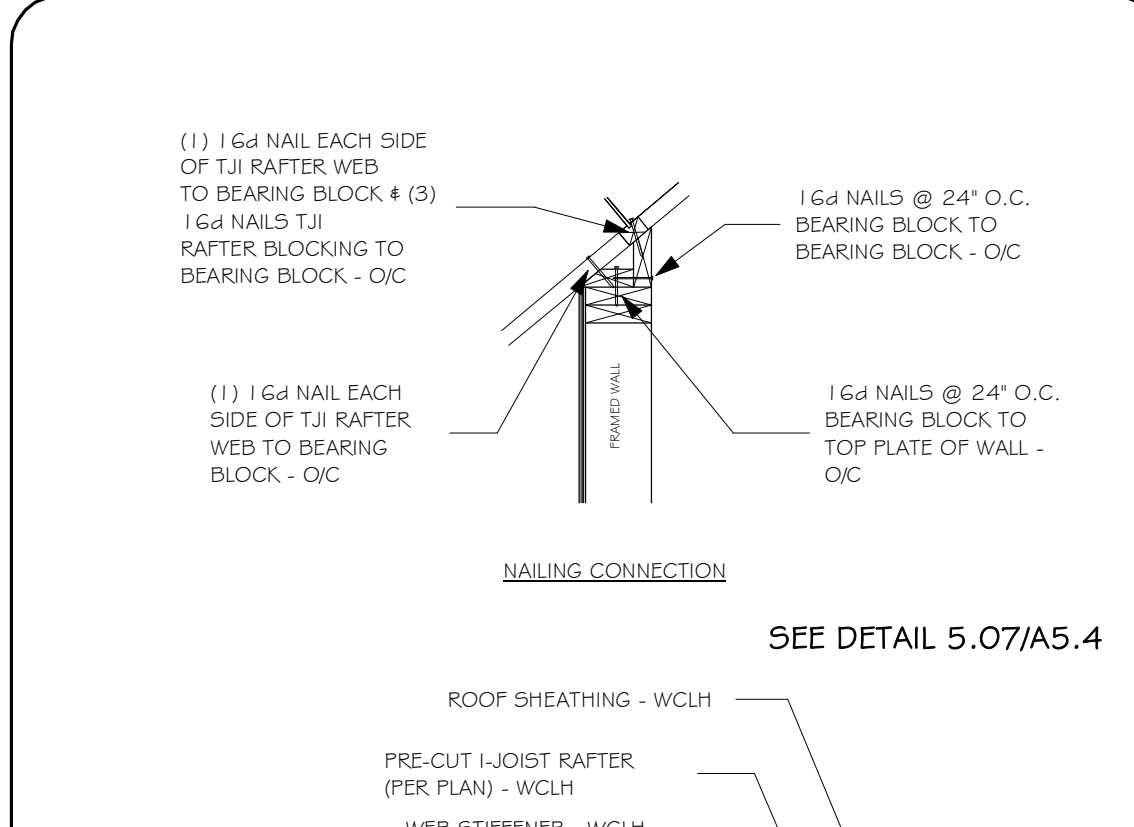
3.15 CORNER POST TO WALL - SCALE: 3/4" = 1'-0"



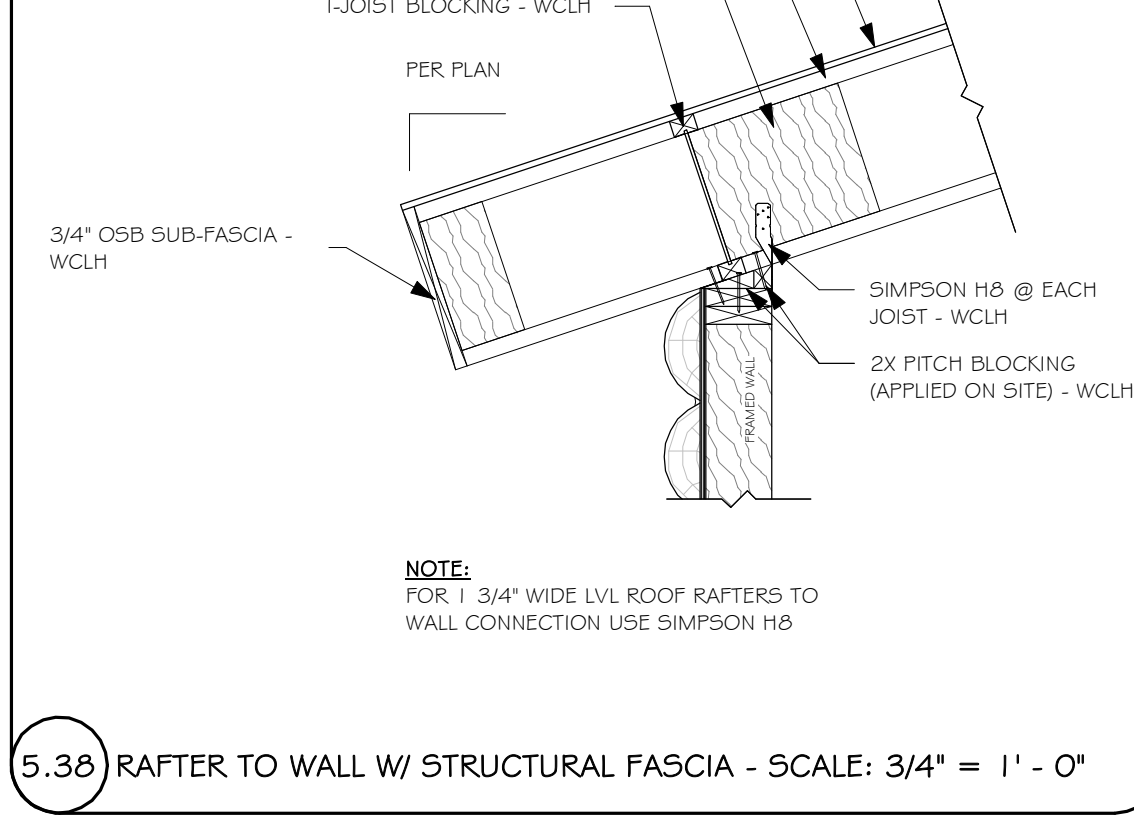
3.20 TIMBER TRUSS TO FRAMED WALL - SCALE 3/4" = 1'-0"



3.21 WALL TO WALL - SCALE: 3/4" = 1'-0"



5.38 RAFTER TO WALL W/ STRUCTURAL FASCIA - SCALE: 3/4" = 1'-0"



5.38 RAFTER TO WALL W/ STRUCTURAL FASCIA - SCALE: 3/4" = 1'-0"

10/16/2020 11:58:28 AM

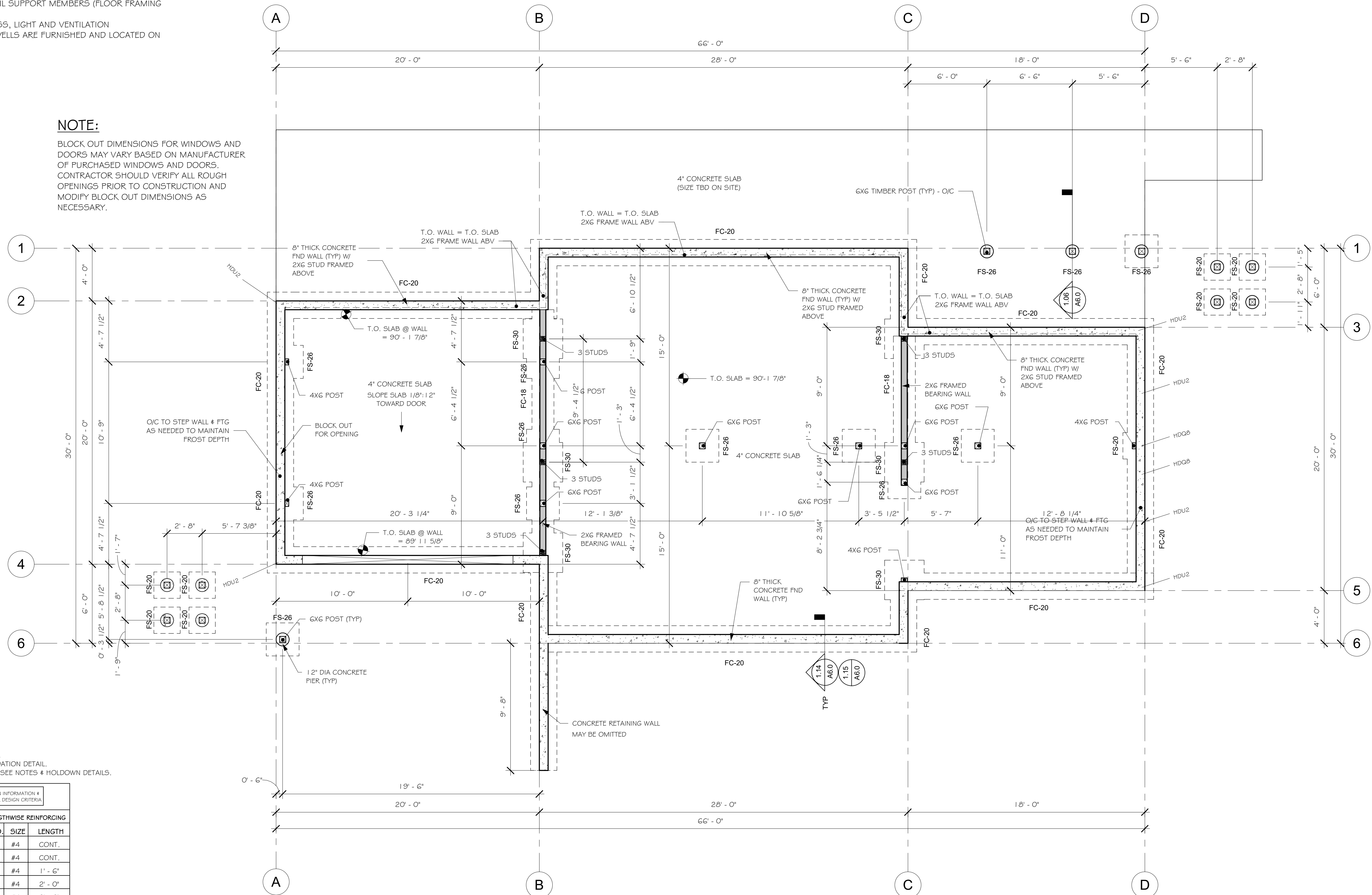
H:\Work\Manual\Consulting\Work\Rocky Mountain Homes\WCLH_HQ_Framing\Project\30717\Myer - Summit\Rev\Myer - Summit_2021.rvt

FOOTING & FOUNDATION PLAN NOTES

1. THIS IS ONE PAGE OF A SET OF PROJECT DOCUMENTS, AND MAY NOT BE USED ALONE. THE CONTRACTOR, SUBCONTRACTORS AND OWNER, AS PART OF THE PROJECT TEAM, SHALL REVIEW AND BE RESPONSIBLE FOR INFORMATION CONTAINED IN ALL PROJECT DOCUMENTS PRIOR TO INITIATION OF ANY WORK ON THE PROJECT.
2. DETAILS ARE NOTED ON THE PLANS IN TYPICAL LOCATIONS AND SHALL BE REPEATED WHERE SIMILAR CONDITIONS EXIST. SEE TYPICAL DETAILS AND GENERAL NOTES.
3. SEE SHEETS 5-4.0 FOR STRUCTURAL NOTES & DETAILS.
4. SEE PLANS, SHEAR WALL NOTES, AND SCHEDULE FOR WALL SHEATHING AND ANCHOR BOLTS. U.N.O. MINIMUM ANCHOR BOLTS SHALL BE 5/8" Ø WITH 7 INCHES MIN EMBED INSTALLED AT 32 INCHES MAX ON CENTER. PLATE WASHERS A MINIMUM OF 3 INCHES BY 3 INCHES BY 1/4 INCH THICK SHALL BE USED ON EACH BOLT.
5. FOUNDATION WALLS SHALL BE LATERALLY SUPPORTED UNTIL SUPPORT MEMBERS (FLOOR FRAMING AND SLABS) HAVE BEEN INSTALLED.
6. BASEMENT WINDOWS SHALL BE INSTALLED TO MEET EGRESS, LIGHT AND VENTILATION REQUIREMENTS PER IBC. WINDOWS, FRAMES AND AREA WELLS ARE FURNISHED AND LOCATED ON SITE BY CONTRACTOR.

NOTE:

BLOCK OUT DIMENSIONS FOR WINDOWS AND DOORS MAY VARY BASED ON MANUFACTURER OF PURCHASED WINDOWS AND DOORS. CONTRACTOR SHOULD VERIFY ALL ROUGH OPENINGS PRIOR TO CONSTRUCTION AND MODIFY BLOCK OUT DIMENSIONS AS NECESSARY.



LEGEND

FC-18 INDICATES FOOTING TYP. SEE FOOTING SCHEDULE.
 F- .5 INDICATES STP IN FOOTING SEE FOOTING & FOUNDATION DETAIL.
 HDQ&PHD2MST48 INDICATES LOCATIONS FOR SIMPSON HOLDOWN. SEE NOTES & HOLDOWN DETAILS.

FOOTING SCHEDULE

SEE STRUCTURAL DESIGN INFORMATION & STRUCTURAL NOTES FOR DESIGN CRITERIA

| NO. | WIDTH | LENGTH | THICKNESS | CROSSWISE REINFORCING | | | LENGTHWISE REINFORCING | | |
|-------|---------|---------|-----------|-----------------------|------|---------|------------------------|------|---------|
| | | | | NO. | SIZE | LENGTH | NO. | SIZE | LENGTH |
| FC-18 | 1' - 8" | CONT. | 8" | | | | 2 | #4 | CONT. |
| FC-20 | 2' - 0" | CONT. | 10" | | | | 2 | #4 | CONT. |
| FS-20 | 2' - 0" | 2' - 0" | 10" | 2 | #4 | 1' - 6" | 2 | #4 | 1' - 6" |
| FS-26 | 2' - 6" | 2' - 6" | 10" | 3 | #4 | 2' - 0" | 3 | #4 | 2' - 0" |
| FS-30 | 3' - 0" | 3' - 0" | 10" | 3 | #4 | 2' - 6" | 3 | #4 | 2' - 6" |
| FS-36 | 3' - 6" | 3' - 6" | 12" | 4 | #4 | 3' - 0" | 4 | #4 | 3' - 0" |

SPACE REINF. EVENLY THROUGH FOOTING W/ 3" CLEARANCE AT OUTSIDE EDGE

FTG & FOUNDATION PLAN

1/4" = 1'-0"

FOUNDATION PLAN
 SHEET NO. 7014-000
S1.0

Whisper Creek
 By Rocky Mountain Homes
 1883 Highway 93 South
 Hamilton, MT 59840
 ph. 406.363.5680
 fx. 406.363.6537
 wchdesign@rnmh.com

THESE PLANS, DRAWINGS, AND DESIGNS ARE THE PROPERTY OF WHISPER CREEK LOG HOMES (WCLH). ALL RIGHTS RESERVED AND SHALL NOT BE REPRODUCED OR COPIED WITHOUT THE EXPRESSED WRITTEN CONSENT FROM AN OFFICER OF WCLH. UNDER PENALTY OF PROSECUTION THESE PLANS ARE RELEASED FOR CONSTRUCTION ON THE SITE DESCRIBED HEREON AND NO OTHER.

THESE DESIGNS AND DETAILS ARE BASED ON MANY YEARS OF CONSTRUCTION DESIGN AND ENGINEERING PRACTICE IN NUMEROUS DIVERSE JURISDICTIONS. THE PURPOSE IS TO PROVIDE A BASIS FOR THE DESIGNS INCORPORATED IN WHISPER CREEK LOG HOMES (WCLH). HOWEVER, IT IS THE RESPONSIBILITY OF THE OWNER TO CONSULT WITH ARCHITECT OR ENGINEER OF RECORD (E.O.R.) TO REVIEW AND VERIFY ANY AND ALL OF THE ASSUMPTIONS MADE AND DESIGNS PRESENTED. WCLH MAKES NO WARRANTY OR GUARANTEE AS TO THE FINAL SITE SPECIFIC APPLICABILITY OF THE DESIGN. ANY AND ALL PROPOSED CHANGES BY THE E.O.R. SHALL BE COORDINATED WITH WCLH. ALL CHANGES MUST BE APPROVED IN WRITING BY WCLH. IF APPROVED, ALL CHANGES WILL RESULT IN ADDITIONAL COSTS AND MAY REQUIRE MODIFICATIONS TO THE PLANS AND WALLS.

ARCHITECT ENGINEER OF RECORD:
JUL 26, 2023 4:54PM
 STATE OF COLORADO
KIMLY C. MANGUM
 ARC-305652
 LICENSED ARCHITECT
 STRUCTURAL ONLY

REVISIONS

| No. | By: | Date: |
|-----|-----|-------|
| | | |

PROJECT NAME:
SUMMIT

OWNER:
JUSTIN MEYER

ADDRESS:
**CABIN SITE 66
 SAN MIGUEL COUNTY, CO**

DRAWING TITLE:
FOUNDATION PLAN

PROJECT NO.:
7014-000

FINALS

DRAWN BY: JCF
 CHECKED BY: MANAGER
 DATE: 10/16/2020 11:58:28 AM
 SHEET NO.:
S1.0

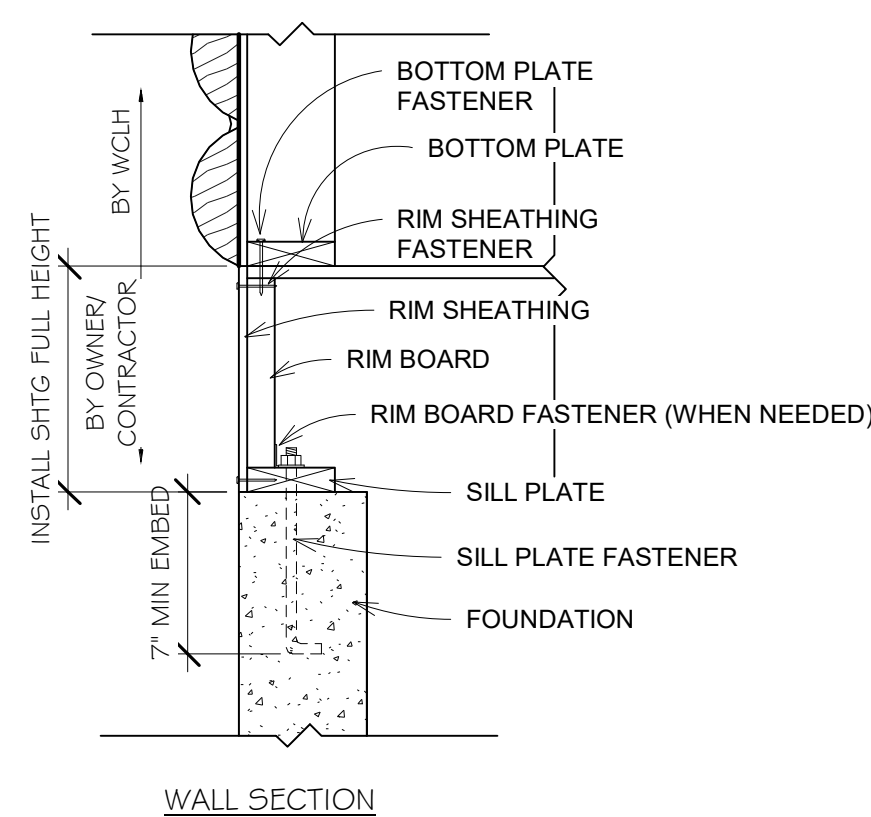
H:\Tools\Manual\Consulting\Workbooks\Whisper Creek\Homes\WCLH_HO_Finished\Project\2023\7014-Meyer-Summit\Rev\Meyer-Summit_2021.rvt
 10/16/2020 11:58:28 AM

FLOOR FRAMING PLAN NOTES

- THIS IS ONE PAGE OF A SET OF PROJECT DOCUMENTS, AND MAY NOT BE USED ALONE. THE CONTRACTOR, SUBCONTRACTORS AND OWNER, AS PART OF THE PROJECT TEAM, SHALL REVIEW AND BE RESPONSIBLE FOR INFORMATION CONTAINED IN ALL PROJECT DOCUMENTS PRIOR TO INITIATION OF ANY WORK ON THE PROJECT.
- DETAILS ARE NOTED ON THE PLANS IN TYPICAL LOCATIONS AND SHALL BE REPEATED WHERE SIMILAR CONDITIONS EXIST. SEE TYPICAL DETAILS AND GENERAL NOTES.
- SEE SHEETS S-4.0 & S-5.0 FOR STRUCTURAL NOTES & DETAILS.
- PLACE 2 STUDS MINIMUM AT ALL BEAMS, HEADERS AND GIRDER TRUSS BEARING POINTS WITH SPANS GREATER THAN SIX FEET, UNLESS NOTED OTHERWISE. MULTIPLE STUDS AND COLUMNS SHALL EXTEND CONTINUOUS TO FOUNDATION OR SUPPORTING BEAM BELOW. USE MULTIPLE SOLID BLOCKING AT FLOORS.
- SEE FLOOR SHEATHING NOTES FOR FLOOR SHEATHING SIZE & NAILING.
- AT FLUSH BEAMS USE SIMPSON IIT SERIES (WEB JOISTS) OR JB SERIES (WOOD JOISTS) TOP FLANGE JOIST HANGERS EACH JOIST U.N.O.
- ARRANGE JOIST LOCATIONS AT BATHROOM AND KITCHEN AREAS TO AVOID CONFLICT WITH PLUMBING.
- FLOOR JOISTS UNDER FIREPLACE HEARTH'S MAY NEED SPACING REDUCED AND/OR SUBSTITUTED W/ LVL'S TO SUPPORT THE ADDED LOADING. VERIFY W/ ENGINEER.
- HOT TUBS OR OTHER OWNER INSTALLED ITEMS THAT IMPOSE HEAVY LOADS ON STRUCTURAL MEMBERS WILL REQUIRE ADDITIONAL ENGINEERING IF NOT SHOWN ON ORIGINAL PLANS USED FOR DESIGN. STRUCTURAL MEMBERS MAY NEED TO BE INCREASED FOR THE ADDITIONAL IMPOSED LOADING.
- ALL LUMBER IN CONTACT WITH CONCRETE OR MASONRY SHALL BE PRESSURE TREATED LUMBER OR FOUNDATION REDWOOD. ALL WOOD SUPPORT MEMBERS EXPOSED TO WEATHER SHALL BE TREATED OR PROTECTED TO PREVENT MOISTURE OR WATER ACCUMULATION ON THE SURFACE. D FOR THE ADDITIONAL IMPOSED LOADING.

KEYED NOTES

- INSTALL LVL BEAMS IN PLACE OF JOISTS FOR HEAVY FIREPLACE/HEARTH (VERIFY W/ ARCHITECT OR RECORD).



WALL BASE CONNECTION

NOT TO SCALE

| WALL BASE CONNECTION SCHEDULE | |
|-------------------------------------|---|
| LOCATION | FASTENER OR MEMBER |
| BOTTOM PLATE | 2X6 X CONT |
| FASTENER | 1 1/2" NAILS @ EA JST, BLKG # CONT @ 3'-1/2" O.C. |
| RIM SHEATHING | 7/16" APA 2 1/2" EXT SHTG |
| FASTENER | 8d NAILS @ 3'-1/8" O.C. ALL EDGES |
| RIM BOARD | 1-1/8" MIN LVL RIM BOARD |
| FASTENER TO SILL PLATE OR TOP PLATE | A355 @ 24" O.C. (ONLY REQ'D W/GABLE END DOOR OR WINDOW FEATURE WALLS) STAINLESS TSTL OR Z-MAS @ TREATED PLATE |
| SILL PLATE | 2X6 X CONT PRESSURE TREATED |
| FASTENER | 5/8" DIA A.B @ 32" O.C. U.N.O. (2,3) |

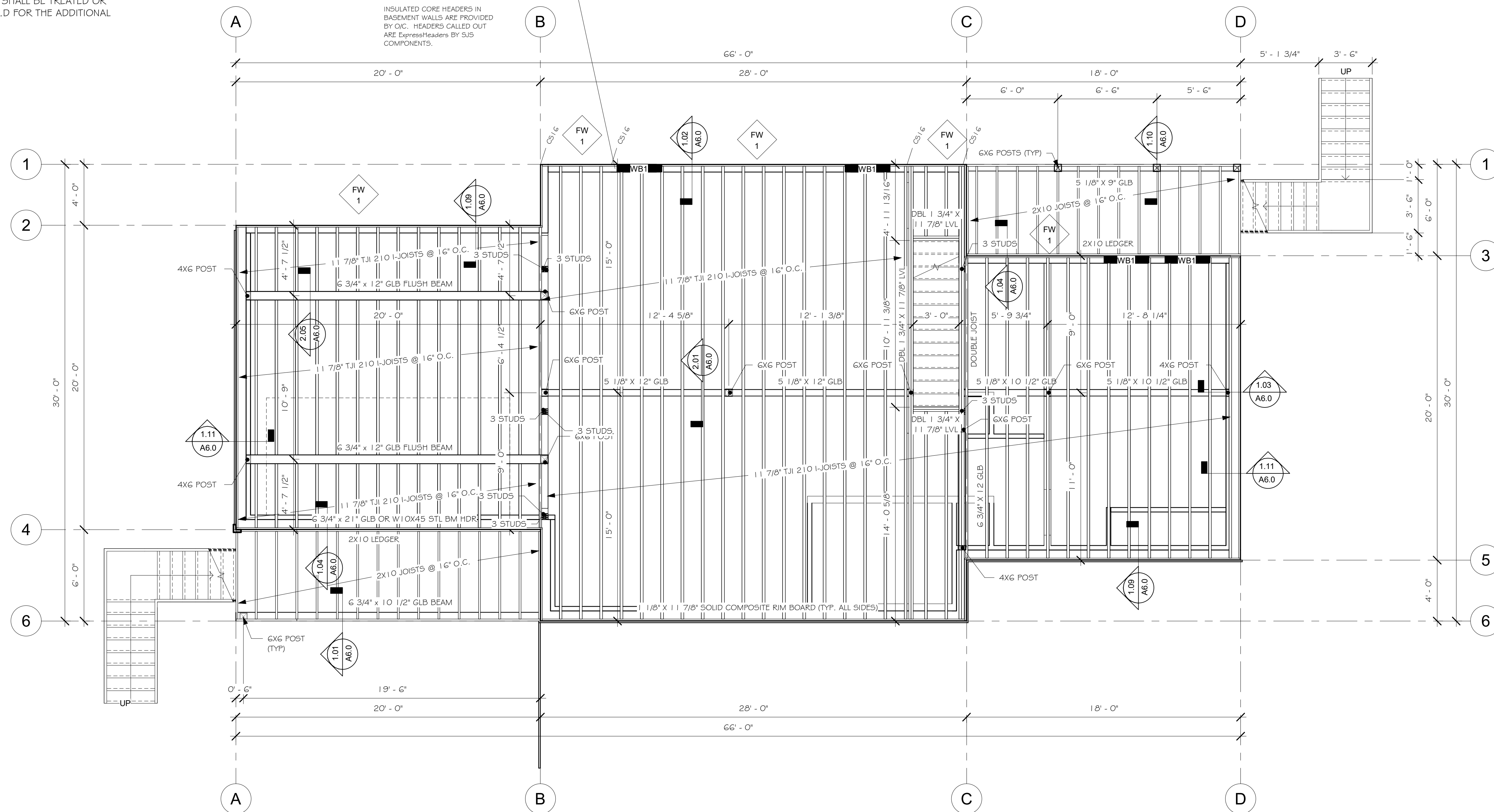
WALL BASE CONNECTION

SCALE: NOT TO SCALE

FLOOR SHEATHING

- TYPICAL FLOOR SHEATHING SHALL BE 3/4 IN., T&G APA RATED 48/24 EXPOSURE 1 SHEATHING NAILED WITH 10d NAILS AT 6 IN. O.C. AT ALL PANEL ENDS, SUPPORTED EDGES, TOP OF SHEAR WALLS (ALL EXTERIOR WALLS ARE SHEAR WALLS) AND ALL BLOCKING; 10d AT 12 IN. O.C. ALONG INTERMEDIATE FRAMING MEMBERS. NAILING SHALL BE SPACED AT 3/8 IN. MIN FROM EDGE OF PANEL.
- LAY SHEATHING WITH FACE GRAIN AT RIGHT ANGLES TO FRAMING WITH END JOINTS STAGGERED (SEE TYPICAL DETAILS).
- BLOCK JOISTS SOLID AT ALL BEARING POINTS.

FOR INSULATED CORE HEADER:
 • SINGLE TRIMMER STUD EA SIDE OF OPENING U.N.O. FOR ALL OPENINGS < 3'-6"
 • DBL TRIMMER STUD EA SIDE OF ALL OPENINGS > 3'-6"
 FOR HEADERS USING OTHER MATERIAL:
 • SINGLE TRIMMER STUD EA SIDE OF OPENING U.N.O.
 INSULATED CORE HEADERS IN BASEMENT WALLS ARE PROVIDED BY O.C. HEADERS CALLED OUT ARE ExpressHeaders BY SJS COMPONENTS.



MAIN FLOOR FRAMING PLAN

1/4" = 1'-0"

PLAN NO.: 7014-000

SHEET TITLE: MAIN FLOOR FRAMING PLAN

SHEET NO.: S2.0

Whisper Creek
By Rocky Mountain Homes

1983 Highway 83 South
Hamilton, MT 59840
ph. 406.363.5680
fx. 406.363.6537
wchdesign@rmt.com

THESE PLANS, DRAWINGS, AND DESIGNS ARE THE PROPERTY OF WHISPER CREEK LOG HOMES (WCLH). ALL RIGHTS RESERVED AND SHALL NOT BE REPRODUCED OR COPIED WITHOUT THE EXPRESSED WRITTEN CONSENT FROM AN OFFICER OF WCLH. UNDER PENALTY OF PROSECUTION, THESE PLANS ARE RELEASED FOR CONSTRUCTION AND NO OTHER.

THESE DESIGNS AND DETAILS ARE BASED ON MANY YEARS OF CONSTRUCTION DESIGN AND ENGINEERING PRACTICE IN NUMEROUS DIVERSE JURISDICTIONS. THE PURPOSE IS TO PROVIDE A BASIS FOR THE DESIGNS INCORPORATED IN WHISPER CREEK LOG HOMES (WCLH). HOWEVER, IT IS THE RESPONSIBILITY OF THE OWNER TO CONSULT WITH ARCHITECT OR ENGINEER OF RECORD (E.O.R.) TO REVIEW AND VERIFY ANY AND ALL OF THE ASSUMPTIONS MADE AND DESIGNS PRESENTED. WCLH MAKES NO WARRANTY OR GUARANTEE AS TO THE FINAL SITE SPECIFIC APPLICABILITY OF THE DESIGN. ANY AND ALL PROPOSED CHANGES BY THE E.O.R. SHALL BE COORDINATED WITH WCLH. ALL CHANGES MUST BE APPROVED IN WRITING BY WCLH. IF APPROVED, ALL CHANGES WILL RESULT IN ADDITIONAL COSTS AND MAY REQUIRE MODIFICATIONS TO THE PLANS AND WALLS.

ARCHITECT/ENGINEER OF RECORD:
JUL 26, 2023 4:54PM
 STATE OF COLORADO
KIMLY C. MANGUM
 ARC-305652
 LICENSED ARCHITECT
 STRUCTURAL ONLY

| REVISIONS | | |
|-----------|-----|-------|
| No. | By: | Date: |
| | | |

PROJECT NAME:
SUMMIT

OWNER:
JUSTIN MEYER

ADDRESS:
**CABIN SITE 66
 SAN MIGUEL COUNTY, CO**

DRAWING TITLE:
MAIN FLOOR FRAMING PLAN

PROJECT NO.: **7014-000**

FINALS

DRAWN BY: JCF

CHECKED BY: MANAGER

DATE: 10/16/2020 11:58:29 AM

SHEET NO.: **S2.0**

FILE PATH: R:\10000000\Consulting\Workbooks\Mountain Homes\WCLH\Main Floor Framing\7014-000-Main Floor Framing-Summit-2021.rvt

10/16/2020 11:58:29 AM

ROOF FRAMING PLAN NOTES

- THIS IS ONE PAGE OF A SET OF PROJECT DOCUMENTS, AND MAY NOT BE USED ALONE. THE CONTRACTOR, SUBCONTRACTORS AND OWNER, AS PART OF THE PROJECT TEAM, SHALL REVIEW AND BE RESPONSIBLE FOR INFORMATION CONTAINED IN ALL PROJECT DOCUMENTS PRIOR TO INITIATION OF ANY WORK ON THE PROJECT.
- DETAILS ARE NOTED ON THE PLANS IN TYPICAL LOCATIONS AND SHALL BE REPEATED WHERE SIMILAR CONDITIONS EXIST. SEE TYPICAL DETAILS AND GENERAL NOTES.
- SEE SHEETS S-4.0, S-5.0, & S-5.1 FOR STRUCTURAL NOTES & DETAILS.
- SEE DESIGN PLANS FOR DIMENSIONS. DO NOT SCALE STRUCTURAL DRAWINGS.

ADDITIONAL NOTE:

ALL VENTILATION OF THE ROOF SYSTEM IS THE RESPONSIBILITY OF THE CONTRACTOR.

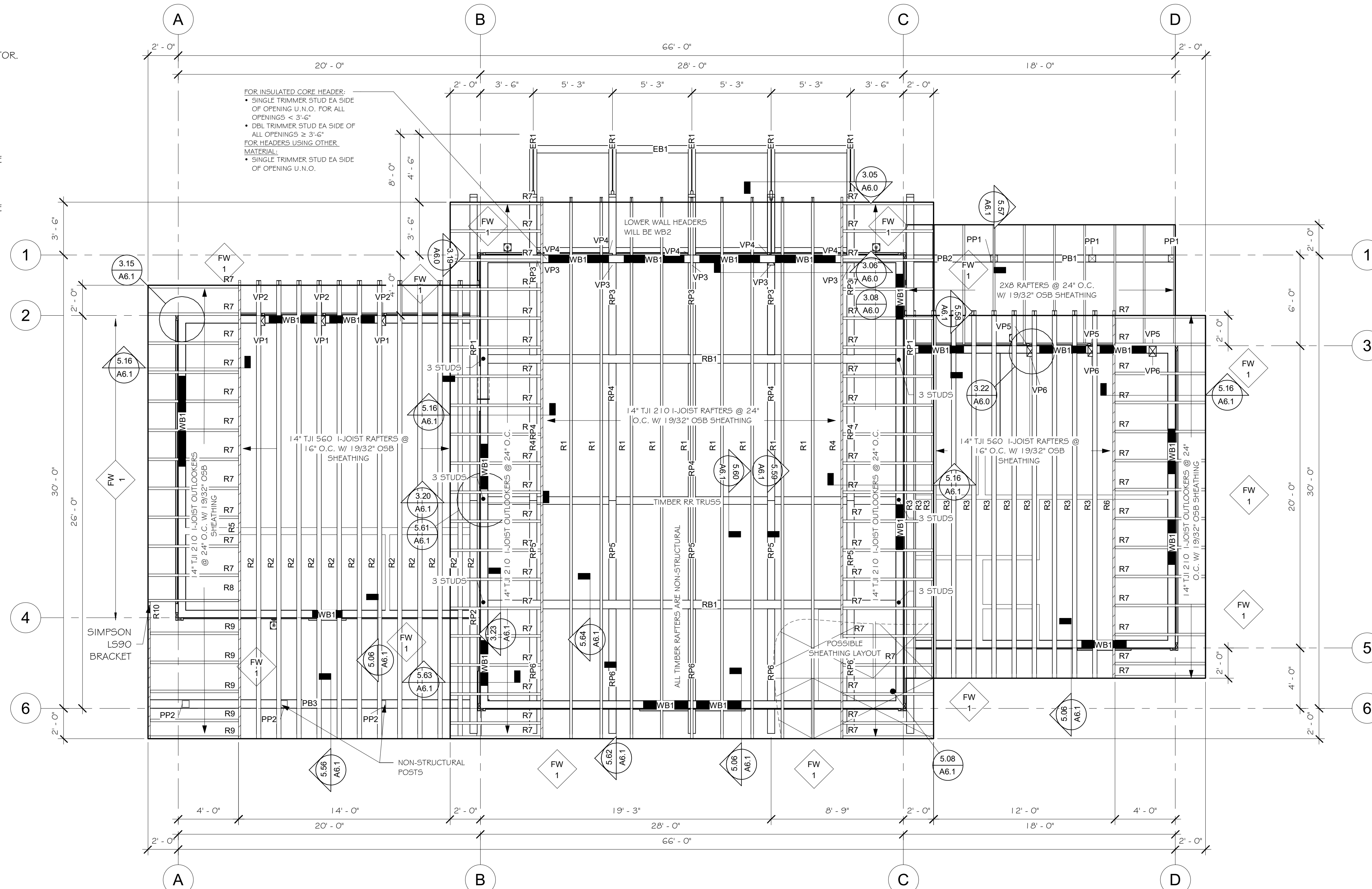
ATTIC VENTILATION NOTES

PROVIDE FOR CROSS VENTILATION FOR ENCLOSED ATTICS AND SPACES BETWEEN RAFTERS FOR EACH SEPARATE SPACE. VENTILATION OPENINGS SHALL BE PROTECTED AGAINST THE ENTRANCE OF RAIN OR SNOW. THE TOTAL NET FREE VENTILATION AREA SHALL NOT BE LESS THAN 1 TO 150 OF THE AREA OF THE SPACE VENTILATED. THIS MAY BE REDUCED TO NOT LESS THAN 1 TO 300 IF: (1) OPENINGS ARE PROVIDED IN THE UPPER AND LOWER PORTIONS OF THE VENTILATED SPACE, OR (2) A 1 PERM VAPOR BARRIER IS INSTALLED ON THE WARM SIDE OF THE CEILING. PROVIDE A 1 INCH INSULATION Baffle BETWEEN THE INSULATION AND THE ROOF SHEATHING AT ALL LOCATIONS OF THE VENT. PROVIDE VENTILATION OPENINGS WITH CORROSION-RESISTANT WIRE MESH WITH 1/8 INCH MIN TO 1/4 INCH MAX OPENINGS.

| HEADER SCHEDULE | |
|-----------------|---|
| TYPE MARK | MATERIAL |
| WB1 | (2) 1 1/4" X 11 1/4" LVL w/ INSULATION CORE |
| WB2 | (3) 1 3/4" X 9 1/8" LVL |

| RAFTER SCHEDULE | | | |
|-------------------|-------|---------------|---------------------|
| RAFTER # | COUNT | LENGTH | MATERIAL |
| LVL RAFTER | | | |
| R4 | 2 | 36' - 11 3/4" | 1 3/4" x 14" LVL |
| R5 | 1 | 31' - 3" | 1 3/4" x 14" LVL |
| R6 | 1 | 25' - 0 1/16" | 1 3/4" x 14" LVL |
| R8 | 1 | 6' - 0" | 1 3/4" x 14" LVL |
| R10 | 1 | 9' - 2 1/8" | 1 3/4" x 14" LVL |
| RAFTER | | | |
| R1 | 9 | 36' - 11 3/4" | 14" TJI 210 I-JOIST |
| R2 | 12 | 31' - 3" | 14" TJI 560 I-JOIST |
| R3 | 11 | 25' - 0" | 14" TJI 560 I-JOIST |
| R7 | 65 | 6' - 0" | 14" TJI 210 I-JOIST |
| R9 | 5 | 5' - 10 1/4" | 14" TJI 210 I-JOIST |

| ROOF BEAM SCHEDULE | | | |
|--------------------------|-------|---------------|---|
| ITEM # | COUNT | LENGTH | DESCRIPTION |
| PORCH BEAM | | | |
| PB1 | 1 | 12' - 0" | 5 1/2" X 8" R.S. TIMBER BEAM W/ PITCH CUT TOP |
| PB2 | 1 | 6' - 6" | 5 1/2" X 8" R.S. TIMBER BEAM W/ PITCH CUT TOP |
| PB3 | 1 | 22' - 6" | 6 3/4" X 15" R.S. GLB BEAM W/ PITCH CUT TOP |
| RAILROAD TRUSS | | | |
| BC1 | 1 | 13' - 11 1/2" | 6X10 TIMBER BEAM |
| RRP1 | 5 | 1' - 7 7/8" | 6X6 R.S. TIMBER POST |
| RRP2 | 2 | 1' - 7 7/8" | 6X12 R.S. TIMBER POST |
| TC1 | 1 | 13' - 11 1/2" | 6X10 TIMBER BEAM |
| ROOF SUPPORT BEAM | | | |
| RB1 | 2 | 27' - 11" | 6 3/4" X 24" GLULAM BEAM |



ROOF FRAMING PLAN
1/4" = 1'-0"

PLAN NO: 7014-000

ROOF FRAMING PLAN

SHEET NO: **S3.0**

Whisper Creek
By Rocky Mountain Homes

1983 Highway 93 South
Hamilton, MT 59840
ph. 406.363.5680
fx. 406.363.6537
wchdesign@rmt.com

THESE PLANS, DRAWINGS, AND DESIGNS ARE THE PROPERTY OF WHISPER CREEK LOG HOMES (WCLH). ALL RIGHTS RESERVED AND SHALL NOT BE REPRODUCED OR COPIED WITHOUT THE EXPRESSED WRITTEN CONSENT FROM AN OFFICER OF WCLH. UNDER PENALTY OF PROSECUTION THESE PLANS ARE RELEASED FOR CONSTRUCTION ON THE SITE DESCRIBED HEREON AND NO OTHER.

THESE DESIGNS AND DETAILS ARE BASED ON MANY YEARS OF CONSTRUCTION DESIGN AND ENGINEERING PRACTICE IN NUMEROUS DIVERSE JURISDICTIONS. THE PURPOSE IS TO PROVIDE A BASIS FOR THE DESIGNS INCORPORATED IN WHISPER CREEK LOG HOMES (WCLH). HOWEVER, IT IS THE RESPONSIBILITY OF THE OWNER TO CONSULT WITH ARCHITECT OR ENGINEER OF RECORD (E.O.R.) TO REVIEW AND VERIFY ANY AND ALL OF THE ASSUMPTIONS MADE AND DESIGNS PRESENTED. WCLH MAKES NO WARRANTY OR GUARANTEE AS TO THE FINAL SITE SPECIFIC APPLICABILITY OF THE DESIGN. ANY AND ALL PROPOSED CHANGES BY THE E.O.R. SHALL BE COORDINATED WITH WCLH. ALL CHANGES MUST BE APPROVED IN WRITING BY WCLH. IF APPROVED, ALL CHANGES WILL RESULT IN ADDITIONAL COSTS AND MAY REQUIRE MODIFICATIONS TO THE PLANS AND WALLS.

ARCHITECT/ENGINEER OF RECORD:

JUL 26, 2023 4:54PM

STATE OF COLORADO

KIMLY C. MANGUM
ARC-305652

STRUCTURAL ONLY

| REVISIONS | | |
|-----------|-----|-------|
| No. | By: | Date: |
| | | |

PROJECT NAME:

SUMMIT

OWNER:

JUSTIN MEYER

ADDRESS:

**CABIN SITE 66
SAN MIGUEL COUNTY, CO**

DRAWING TITLE:

ROOF FRAMING PLAN

PROJECT NO: **FINALS**

DRAWN BY: JCF

CHECKED BY: **MANAGER**

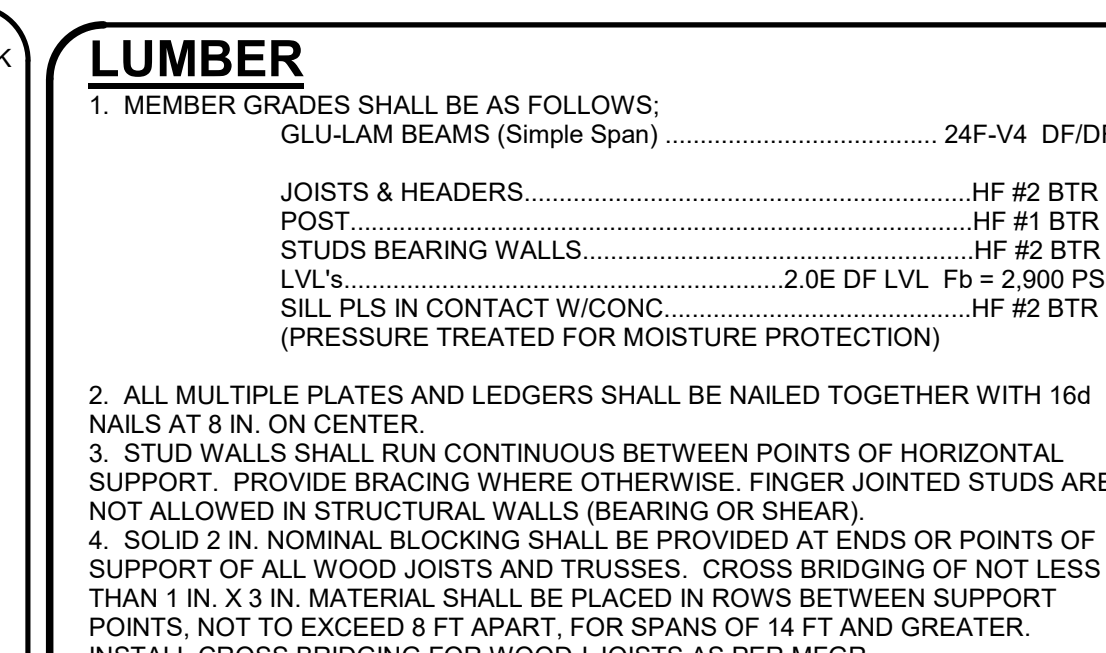
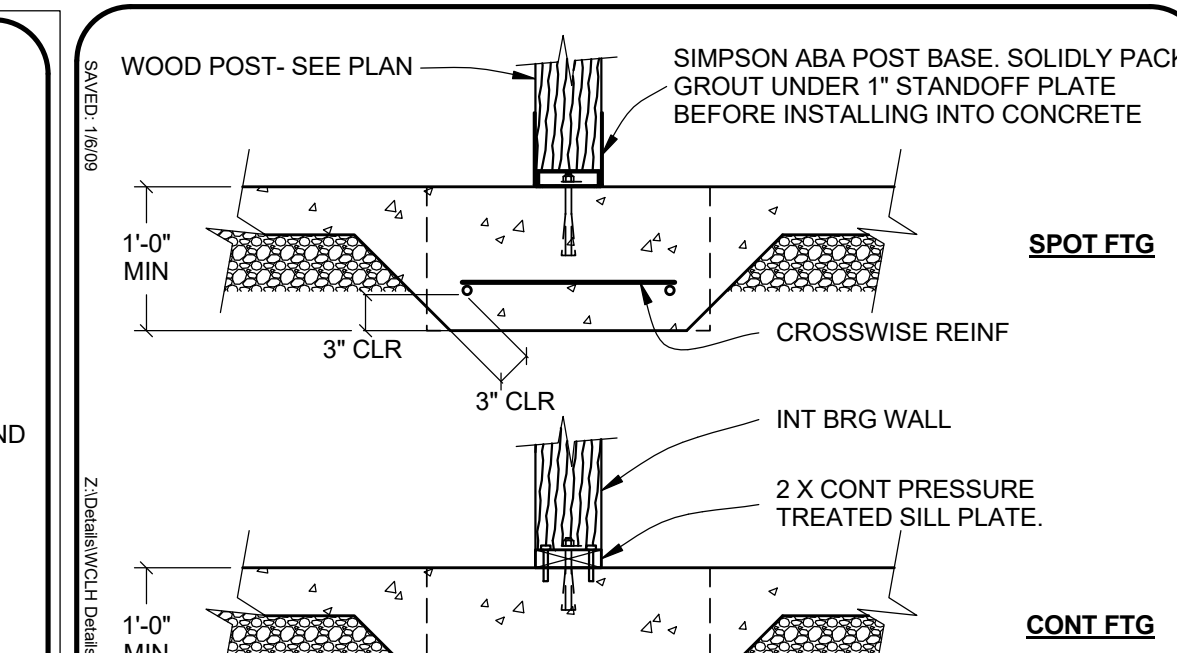
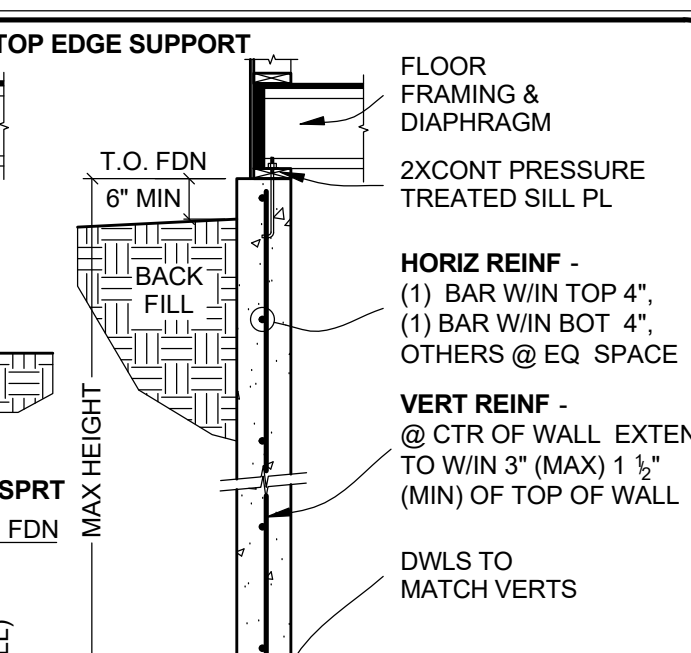
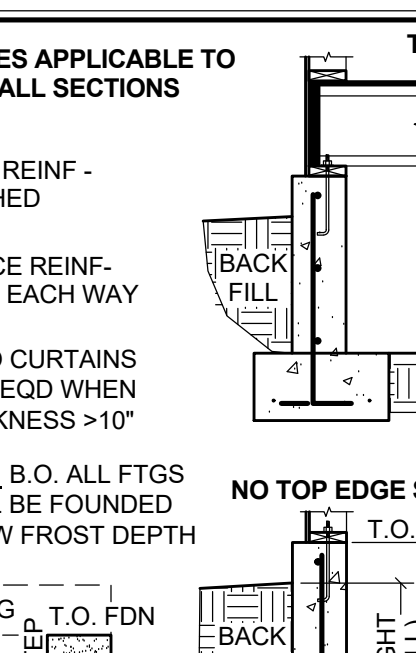
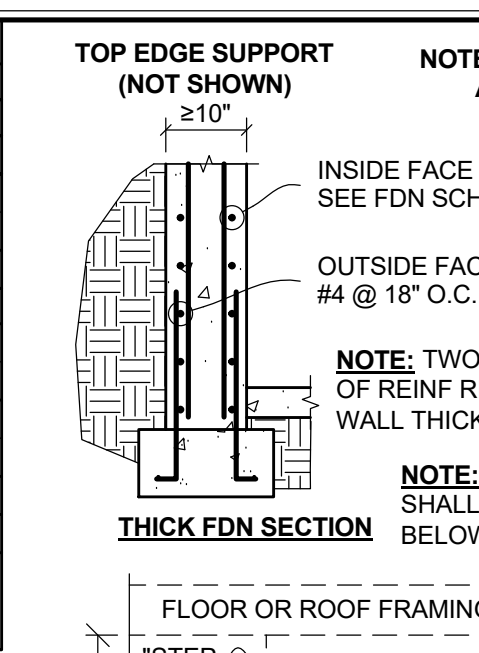
DATE: 10/16/2020 11:58:30 AM

SHEET NO: **S3.0**

10/16/2020 11:58:30 AM H:\Tools\Manual\Consulting\Workbooks\Mountain Homes\WCLH_Framing\Project\2017\Meyer - Summit\Review\Meyer-Summit_2017.rvt

FILE PATH: H:\Tools\Manual\Consulting\Workbooks\Mountain Homes\WCLH_Framing\Project\2017\Meyer - Summit\Review\Meyer-Summit_2017.rvt

| FOUNDATION SCHEDULE | | | |
|---------------------|-------------------------|---------------------|----------|
| FOUNDATION WALL | THICK | VERT | HORIZ |
| MAX HEIGHT | 8" MIN | #4 @ 16" | #4 @ 12" |
| NO TOP EDGE SUPPORT | 8" MIN | #4 @ 16" | #4 @ 12" |
| 4'-6" | 8" MIN | #4 @ 16" | #4 @ 12" |
| 8" TYP | SEE RETAINING WALL DTLS | MIN FTG 2'6" X CONT | |
| 9' / 10' | 8" MIN | #4 @ 12" | #4 @ 12" |
| 11' | 8" MIN | #4 @ 12" | #4 @ 12" |
| 12' | 8" MIN | #4 @ 12" | #4 @ 12" |
| >12' | 10" MIN | #5 @ 9" | #4 @ 10" |



GENERAL STRUCTURAL NOTES

- VISITS TO THE JOB SITE BY REPRESENTATIVES OF WCLH OR A/E/O.R. DO NOT CONSTITUTE APPROVAL OF THE WORK PERFORMED.
- THE CONTRACTOR, SUBCONTRACTORS, AND OWNER AS PART OF THE PROJECT TEAM, SHALL REVIEW AND BE RESPONSIBLE FOR INFORMATION CONTAINED IN ALL SUBJECT DOCUMENTS AND BE RESPONSIBLE FOR ANY WORK ON THE PROJECT.
- CONTRACTOR SHALL NOTIFY WCLH & E.O.R. OF ANY DISCREPANCIES, OMISSIONS OR CONFLICTS BETWEEN THE VARIOUS ELEMENTS OF THE WORKING DRAWINGS AND/OR SPECIFICATIONS BEFORE PROCEEDING WITH ANY WORK INVOLVED. IN ALL CASES, UNLESS OTHERWISE DIRECTED, THE MOST STRINGENT REQUIREMENTS SHALL GOVERN AND BE PERFORMED. DO NOT SCALE DRAWINGS.
- CONTRACTOR SHALL VERIFY ALL CONDITIONS, DIMENSIONS AND ELEVATIONS, ETC., AT THE SITE AND SHALL COORDINATE WORK PERFORMED BY ALL TRADES.
- CONTRACTOR IS RESPONSIBLE FOR METHOD OF CONSTRUCTION. THE CONTRACTOR SHALL PROVIDE ALL MEASURES NECESSARY TO PROTECT THE STRUCTURE DURING CONSTRUCTION. SUCH MEASURES SHALL INCLUDE BUT NOT BE LIMITED TO BRACING OR SHORING FOR ALL LOADS WHICH THE STRUCTURE MAY BE SUBJECTED TO INCLUDING CONSTRUCTION EQUIPMENT, WIND, ETC. SUCH BRACING SHALL BE LEFT IN PLACE AS LONG AS MAY BE REQUIRED FOR SAFETY, OR UNTIL ALL THE STRUCTURAL ELEMENTS ARE COMPLETE.
- CONTRACTOR & ALL SUBS SHALL PERFORM THEIR TRADES & DUTIES IN A MANNER CONFORMING TO THE PROCEDURES & REQUIREMENTS AS STATED IN THE LATEST ACCEPTED CODE(S) ADOPTED BY THE STATE & LOCAL JURISDICTIONS.
- ANY SPECIAL INSPECTION REQUIRED BY THE BUILDING OFFICIAL OR THE BUILDING CODE(S) IS THE RESPONSIBILITY OF THE OWNER.

PROJECT NO. 17-307

S-4.0

FOOTING & FOUNDATION DETAILS

WHISPER CREEK LOG HOMES

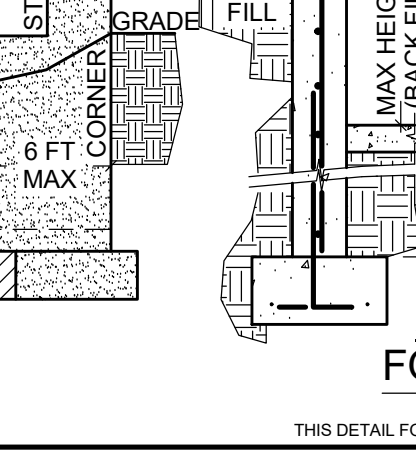
1883 Highway 93 South
Hamilton, MT 59840
ph. 406.363.5840
fx. 406.363.6537
wclhdesign@rmlh.com

THESE PLANS, DRAWINGS, AND DESIGNS ARE THE PROPERTY OF WHISPER CREEK LOG HOMES (WCLH). ALL RIGHTS RESERVED AND SHALL NOT BE REPRODUCED OR COPIED WITHOUT THE EXPRESSED WRITTEN CONSENT FROM AN OFFICER OF WCLH. UNDER PENALTY OF PROSECUTION THESE PLANS ARE RELEASED FOR CONSTRUCTION ON THE SITE DESCRIBED HEREON AND NO OTHER.

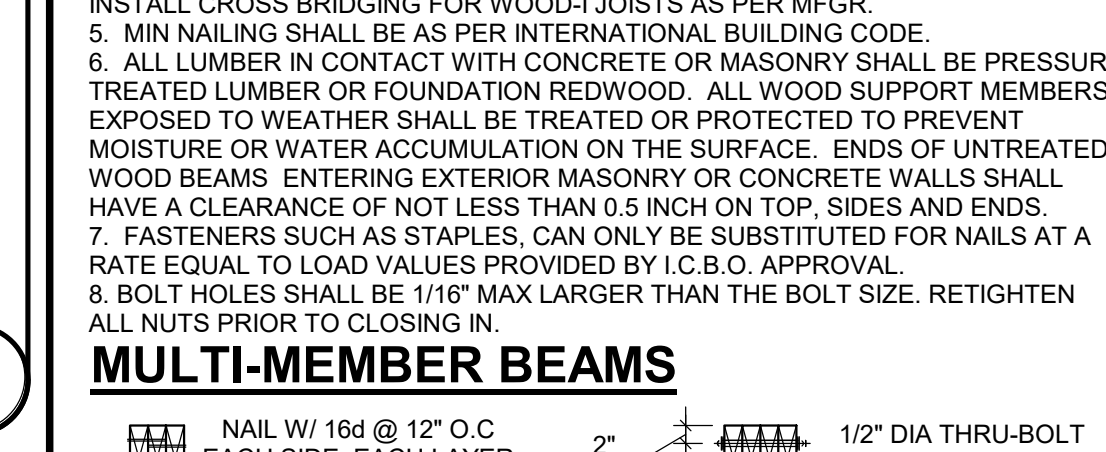
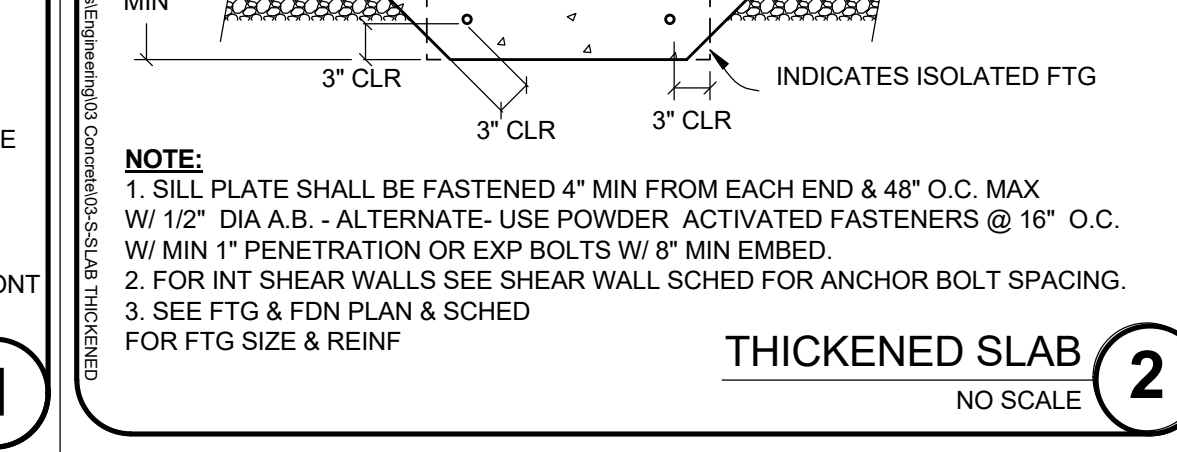
THESE DESIGNS AND DETAILS ARE BASED ON MANY YEARS OF CONSTRUCTION DESIGN, AND ENGINEERING PRACTICE IN NUMEROUS DIVERSE JURISDICTIONS. THE PURPOSE IS TO PROVIDE A BASIS FOR THE DESIGN INCORPORATED IN WHISPER CREEK LOG HOMES (WCLH). HOWEVER, IT IS THE RESPONSIBILITY OF THE OWNER TO CONSULT WITH ARCHITECT OR ENGINEER OF RECORD (E.O.R.) TO REVIEW AND VERIFY ANY AND ALL PROPOSED CHANGES BY THE E.O.R. SHALL BE COORDINATED WITH WCLH. ALL CHANGES MUST BE APPROVED IN WRITING BY WCLH. IF APPROVED, ALL CHANGES WILL RESULT IN ADDITIONAL COSTS AND MAY REQUIRE MODIFICATIONS TO THE PLANS AND WALLS.

ARCHITECT/ENGINEER OF RECORD (A/E/O.R.):
JUL 26, 2023 4:54PM
KIM C. MANGUM
ARC 305682
STRUCTURAL ONLY

| PIER SCHEDULE | | |
|---------------|---------------|---------------|
| POST SIZE | MIN PIER SIZE | REINFORCING |
| 8" x 8" | 6" | 3#3 @ 8" O.C. |
| 8" x 10" | 6" | 4#3 @ 8" O.C. |
| 8" x 12" | 6" | 4#3 @ 8" O.C. |
| 12" x 12" | 6" | 4#3 @ 8" O.C. |
| 12" x 12" | 8" | 4#3 @ 8" O.C. |
| 12" x 12" | 8" | 4#3 @ 8" O.C. |
| 12" x 12" | 8" | 4#3 @ 8" O.C. |
| 12" x 12" | 8" | 4#3 @ 8" O.C. |



| MINIMUM COVER | | |
|---|--|--|
| CONC. EXPOSED TO PERMANENTLY EXPOSED TO EARTH | CONC. EXPOSED TO WEATHER OR IN CONTACT W/ GROUND | CONC. NOT EXPOSED TO WEATHER OR IN CONTACT W/ GROUND |
| #6 THRU #18 BARS | #5 BARS & SMALLER | #5 BARS & SMALLER |
| 1-1/2" | 1-1/2" | 3/4" |
| SLABS, WALLS & JOISTS | #1 BARS & SMALLER | 3/4" |
| BEAMS, COLUMNS, PILASTERS: PRIMARY REIN. & TIES | | 1-1/2" |

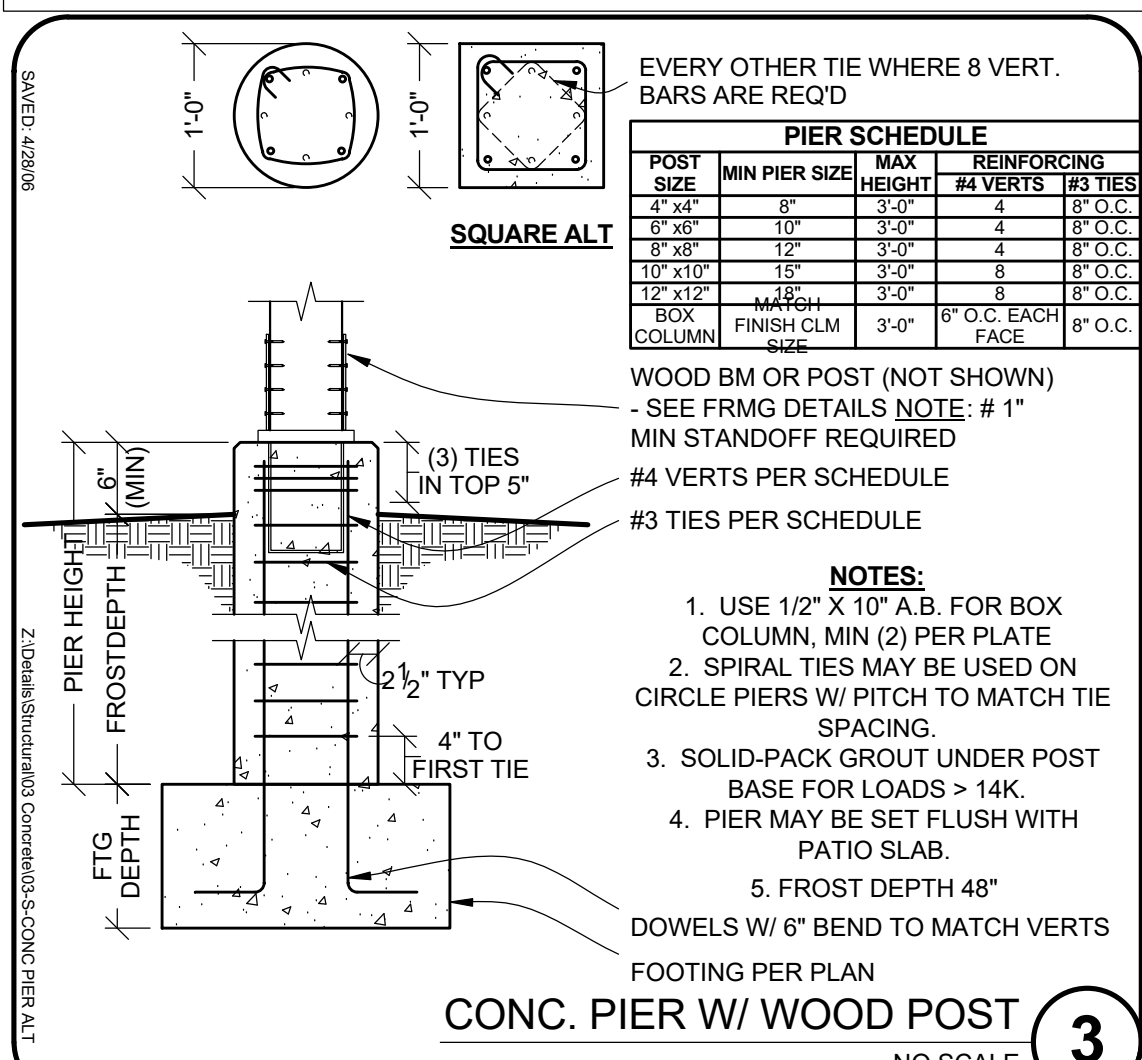


FOOTINGS, FOUNDATIONS, SLAB ON SOILS REPORTS / GEOTECHNICAL INVESTIGATIONS TAKE PRECEDENCE OVER THESE NOTES.

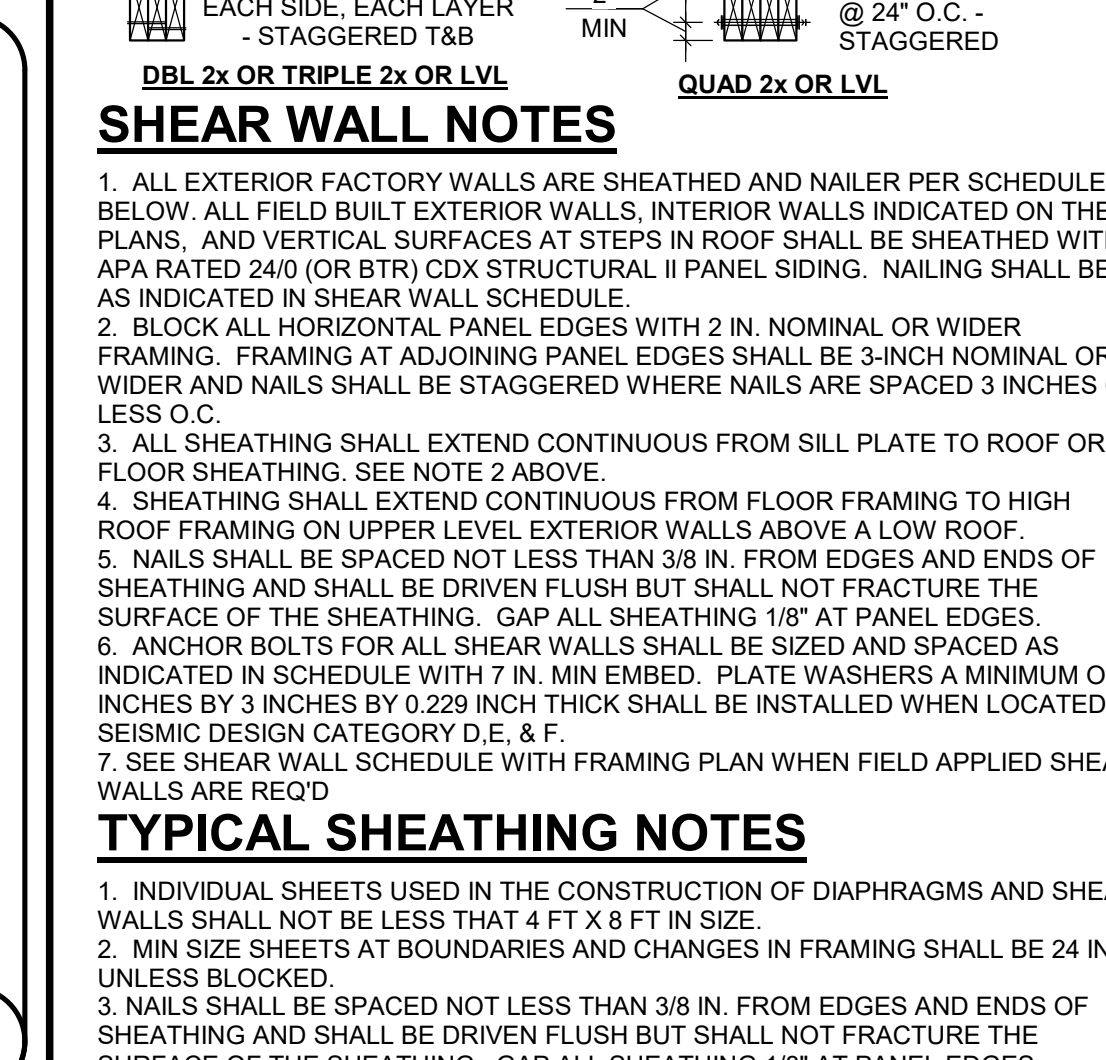
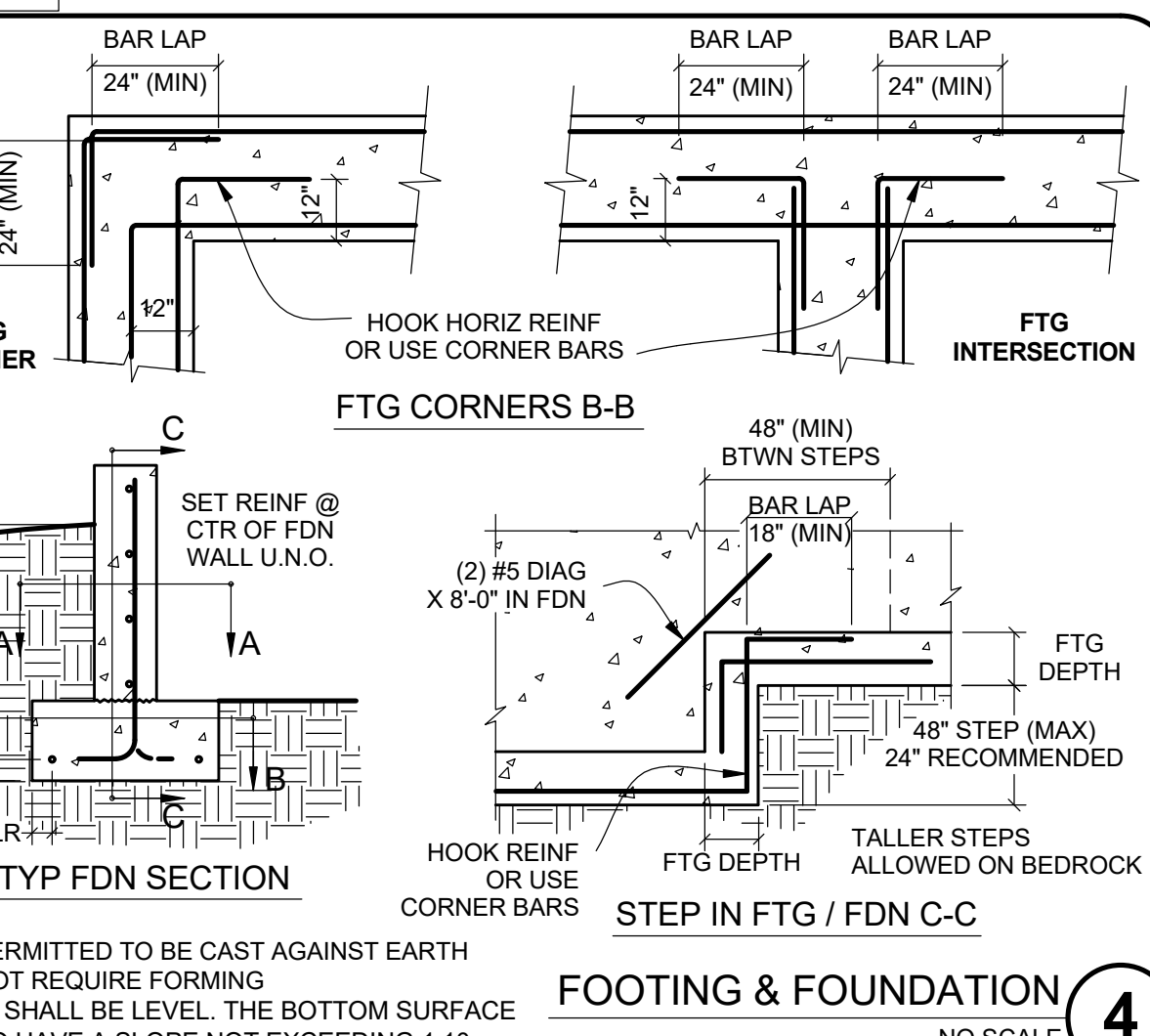
- ALL FTGS ARE BASED ON AN ALLOWABLE SOIL BEARING PRESSURE INDICATED IN DESIGN CRITERIA. ANY SOIL COND. ENCOUNTERED DURING EXCAVATION THAT IS CONTRARY TO THOSE USED FOR DESIGN OF FOOTINGS SHALL BE BROUGHT TO THE ATTENTION OF THE ARCHITECT/ENGINEER OF RECORD.
- ALL FTGS SHALL BE ON AND 12" MIN INTO UNDISTURBED NATIVE SOIL OR ENGINEERED GRANULAR FILL COMPACTED TO 95% OF MAX. DENSITY, BASED ON ASTM D1557 METHOD OF COMPACTION. FILL SHALL BE PLACED IN LAYERS NOT TO EXCEED 6" IN DEPTH AFTER COMPACTION AND SHALL EXTEND DOWN TO IN-SITU COHESIVE SOILS. FILL SHALL BE COMPACTED UNDER ALL CONCRETE WORK ON THE SITE. FILL BELOW FOOTINGS SHALL EXTEND BEYOND THE FOOTING EDGE AT LEAST THE DEPTH OF THE FILL.
- NO FOOTINGS SHALL BE PLACED IN WATER OR ON FROZEN GROUND. CONTRACTOR SHALL NOTIFY ENGINEER IN CASE HIGH GROUND WATER LEVEL ARE ENCOUNTERED AND TAKE NECESSARY PRECAUTIONS.
- ALL EXCAVATIONS ADJACENT TO AND BELOW FINISHED ELEVATION FOR OTHER TRADES SHALL BE ACCOMPLISHED PRIOR TO POURING ANY FOOTINGS.
- ALL OPEN EXCAVATIONS AND TRENCHES SHALL BE SUPPORTED AND BARRICADED BY CONTRACTOR TO CONFORM WITH OSHA SAFETY STANDARDS.
- STABILITY OF SLOPED SITES SHALL BE VERIFIED BY A SOILS ENGINEER OR OTHER QUALIFIED GEOTECHNICAL PROFESSIONAL ON SLOPES STEEPER THAN ONE UNIT VERTICAL IN THREE UNITS HORIZONTAL. CONTRACTOR SHALL ENSURE THAT BUILDING PLACEMENT CONFORMS TO IBC SECTION 1805.3. GEOTECHNICAL INVESTIGATION RECOMMENDED AND MAY BE REQUIRED WHERE SLOPES ARE STEEPER THAN ONE UNIT VERTICAL IN ONE UNIT HORIZONTAL.
- ISOLATED FOOTINGS ON GRANULAR SOIL SHALL BE SO LOCATED THAT THE LINE DRAWN BETWEEN THE LOWER EDGES OF ADJOINING FOOTINGS SHALL NOT HAVE A SLOPE STEEPER THAN 30° WITH THE HORIZONTAL.
- A GEOTECHNICAL ENGINEER EXPERIENCED IN SEISMIC ISSUES SHALL OBSERVE THE EXCAVATION PRIOR TO THE PLACEMENT OF THE FOOTING FORMS FOR ALL SLOPES LOCATED WITHIN FIVE (5) FEET HAZARDOUS ZONES AND ALL OTHER AREAS.
- CONTRACTOR SHALL INVESTIGATE SITE DURING CLEARING AND EARTHWORK OPERATIONS FOR FILLED EXCAVATIONS OR BURIED STRUCTURES SUCH AS CESS POOLS, CISTERNS, FOUNDATIONS, ETC. IF ANY SUCH STRUCTURES ARE FOUND THE ENGINEER SHALL BE NOTIFIED.

CONCRETE

- EXTERIOR FLAT WORK, CURBS, GUTTERS, ETC. 3,000 PSI @ 28 DAYS (MIN) 4,000 PSI RECOMMENDED MIN CEMENT 575 LBS / CU YD
- FOOTINGS, FOUNDATIONS, INTERIOR SLABS 2,500 PSI @ 28 DAYS (MIN) 3,000 PSI RECOMMENDED MIN CEMENT 504 LBS / CU YD
- WATER / CEMENT RATIO ≤ 0.50 RECOMMENDED SLUMP 2-4"
- ALL CONCRETE SHALL BE PLACED, CURED, COVERED & PROTECTED AS DIRECTED BY THE SPECIFICATIONS AND ACI STANDARDS & PRACTICES. DO A GOOD JOB.
- BEFORE CONCRETE IS POURED CHECK WITH ALL TRADES TO INSURE PROPER PLACEMENT OF ALL OPENINGS, SLEEVES, CURBS, CONDUITS, BOLTS, INSERTS, ETC.
- CONTRACTOR IS RESPONSIBLE FOR DESIGN AND INSTALLATION OF ALL SHORING AND FORM WORK.
- REFER TO STRUCTURAL AND ARCHITECTURAL DRAWINGS FOR EMBEDS, MOLDS, GROOVES, ORNAMENTS, CLIPS OR GROUNDS, REQUIRED TO BE ENCASED IN CONCRETE AND FLOOR LOCATION OF FLOOR FINISHES AND SLAB DEPRESSIONS.
- IN HOT WEATHER, FOLLOW RECOMMENDED PRACTICES FOR HOT WEATHER CONCRETING. ACI 308, IN COLD WEATHER, FOLLOW RECOMMENDED PRACTICES FOR COLD WEATHER CONCRETING, ACI 306. CONCRETE SHALL BE PROTECTED FROM FREEZING DURING DEPOSITION AND FOR NOT LESS THAN 5 DAYS.



| CONC PROTECTION FOR REINF | | |
|---------------------------|---|------------------------|
| MINIMUM COVER | CONC CAST AGAINST AND PERMANENTLY EXPOSED TO EARTH | (IN.) |
| | #6 THRU #18 BARS | 1-1/2" |
| | #5 BARS & SMALLER | 1-1/2" |
| | CONC NOT EXPOSED TO WEATHER OR IN CONTACT W/ GROUND | |
| | SLABS, WALLS & JOISTS | #1 BARS & SMALLER 3/4" |
| | BEAMS, COLUMNS, PILASTERS: PRIMARY REIN. & TIES | 1-1/2" |



CONCRETE REINFORCING

- ALL REINFORCEMENT SHALL BE DETAILED AND PLACED IN ACCORDANCE WITH ACI DETAILING MANUAL AND ACI STANDARD.
- ALL REIN. SHALL BE SECURELY TIED IN PLACE PRIOR TO POURING CONCRETE.
- ALL METAL REINFORCEMENT SHALL BE DEFORMED TYPE BARS (EXCEPT #2 BARS) AND SHALL CONFORM TO THE REQUIREMENTS OF THE "STANDARD SPECIFICATIONS A.S.T.M. A615 GRADE 40 OR GRADE 60
- REINFORCEMENT SHALL BE FREE FROM MUD, OIL, OR OTHER NONMETALLIC COATINGS THAT ADVERSELY AFFECT BONDING CAPACITY.

CONCRETE REINFORCING

REVISIONS

PROJECT NAME: SUMMIT

OWNER: JUSTIN MEYER

ADDRESS: CABIN SITE 66 SAN MIGUEL COUNTY, CO

DRAWING TITLE: FOOTING & FOUNDATION DETAILS

PROJECT NO.: 17-307

FINAL

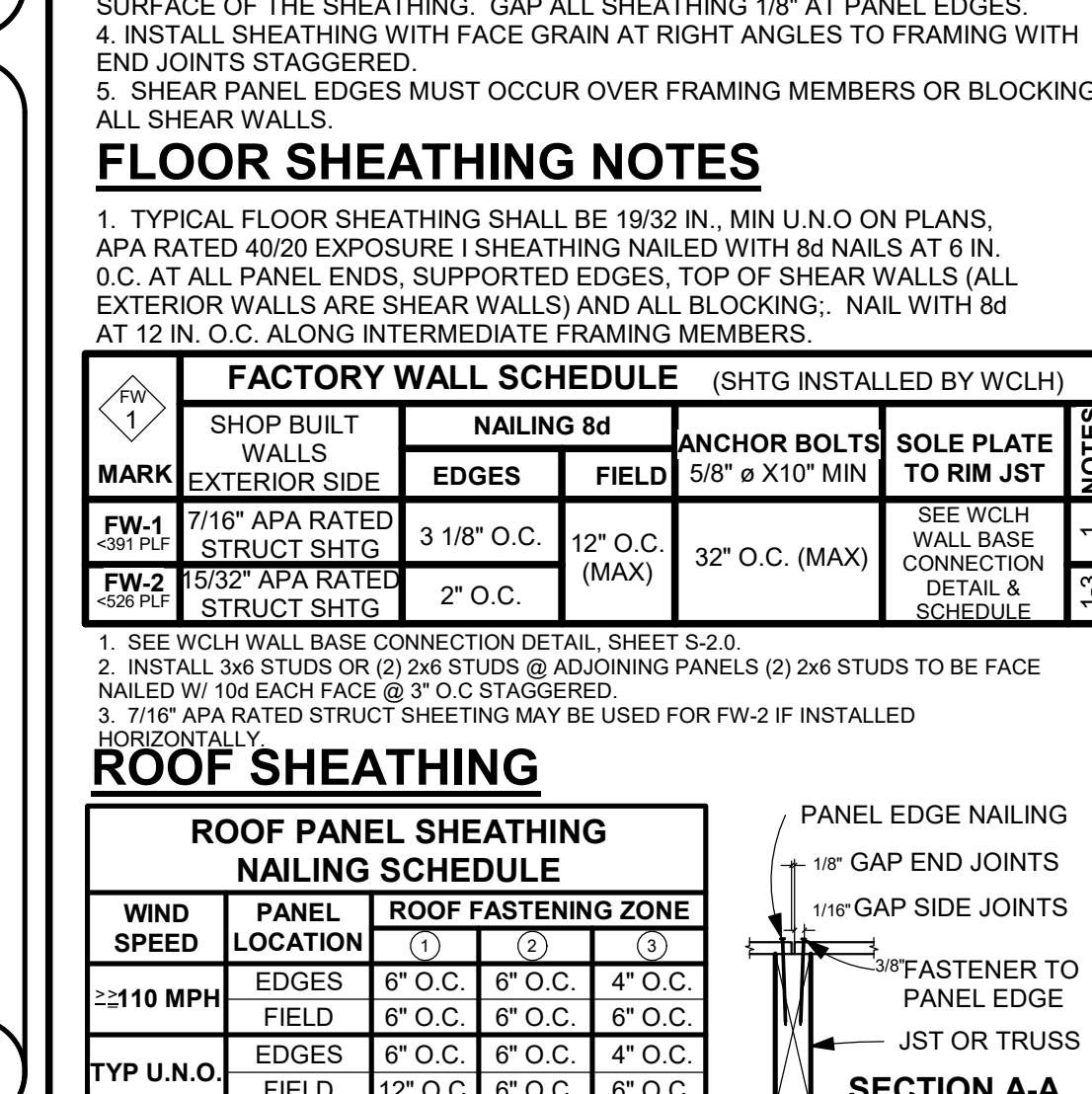
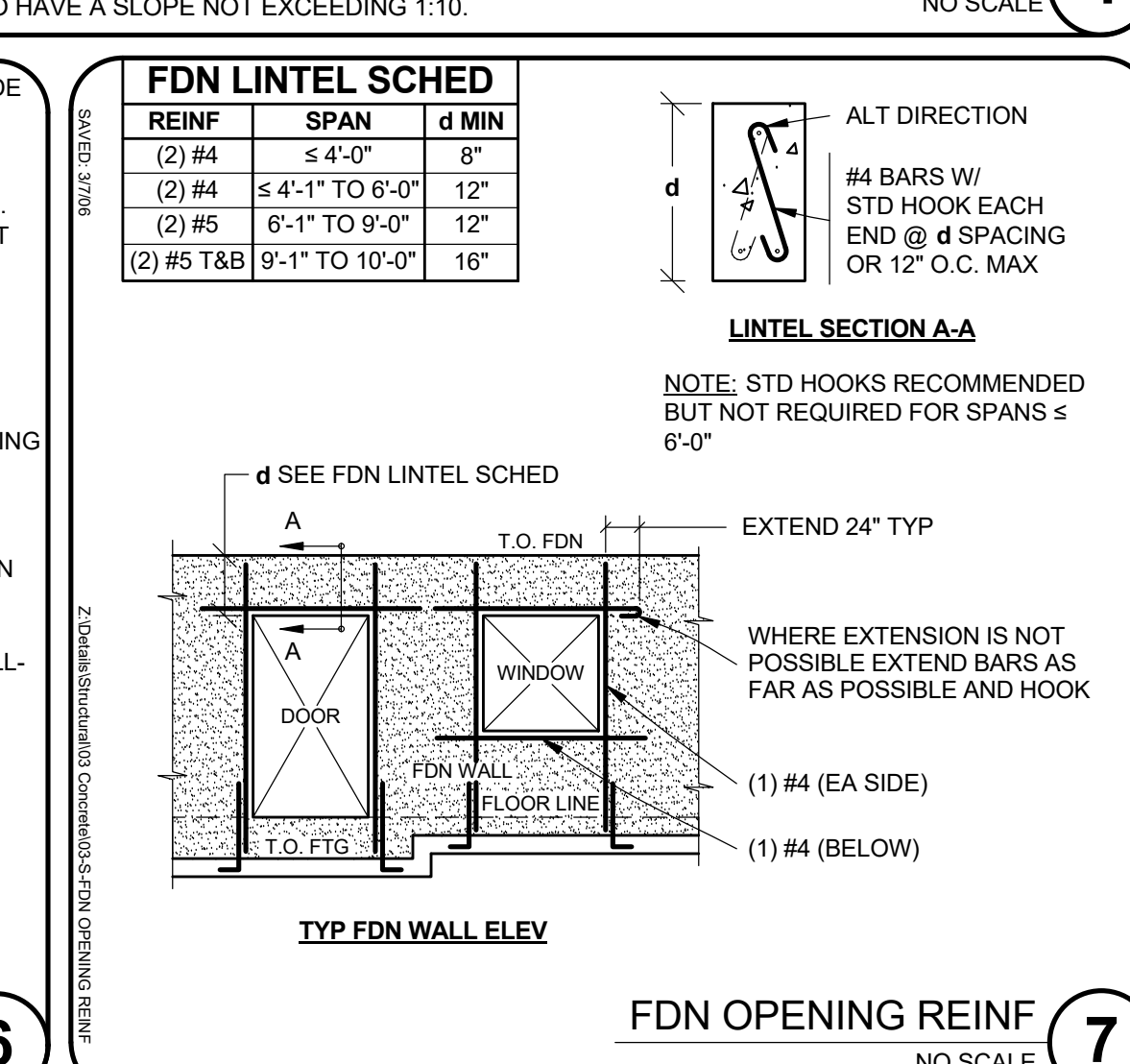
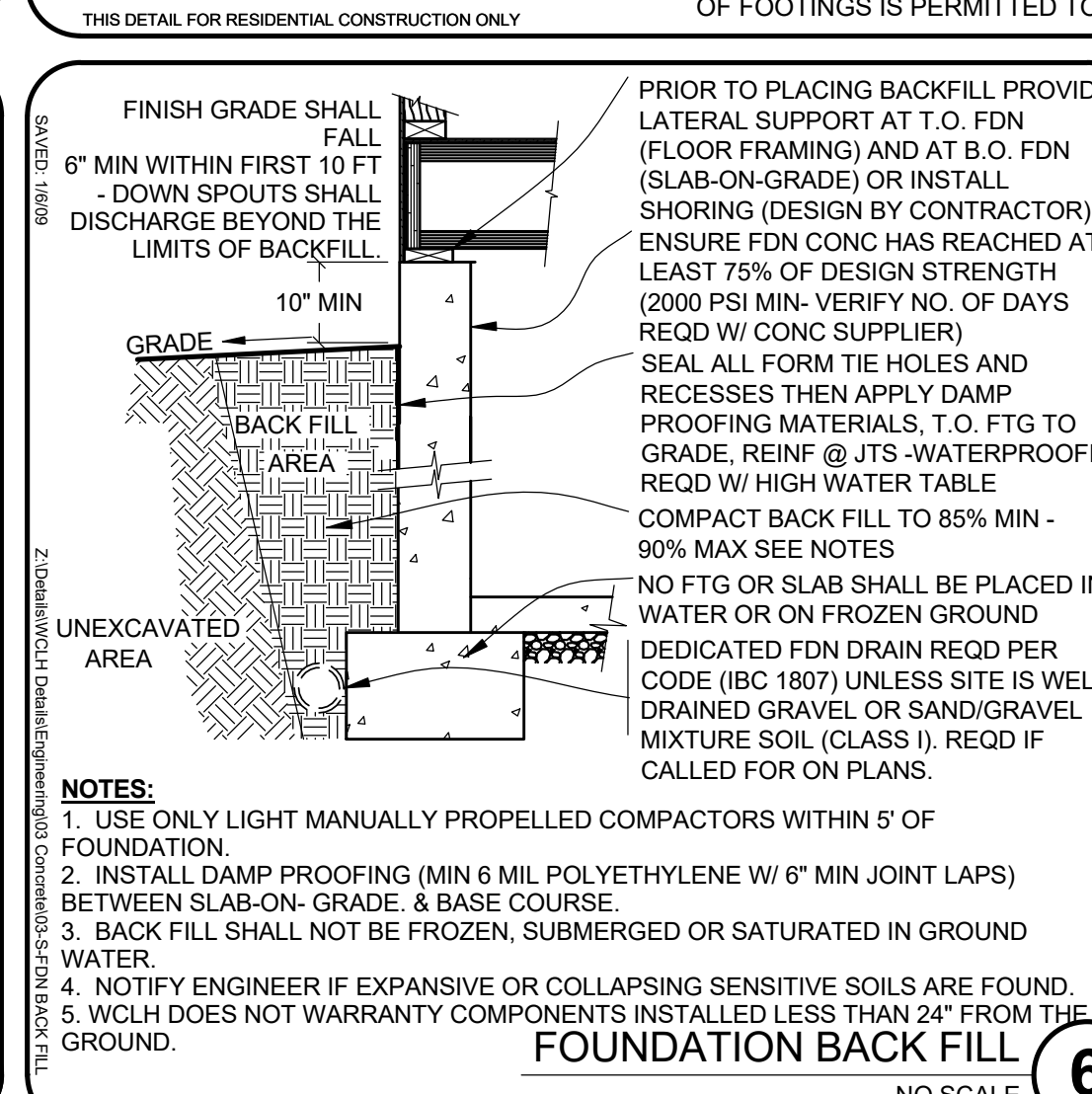
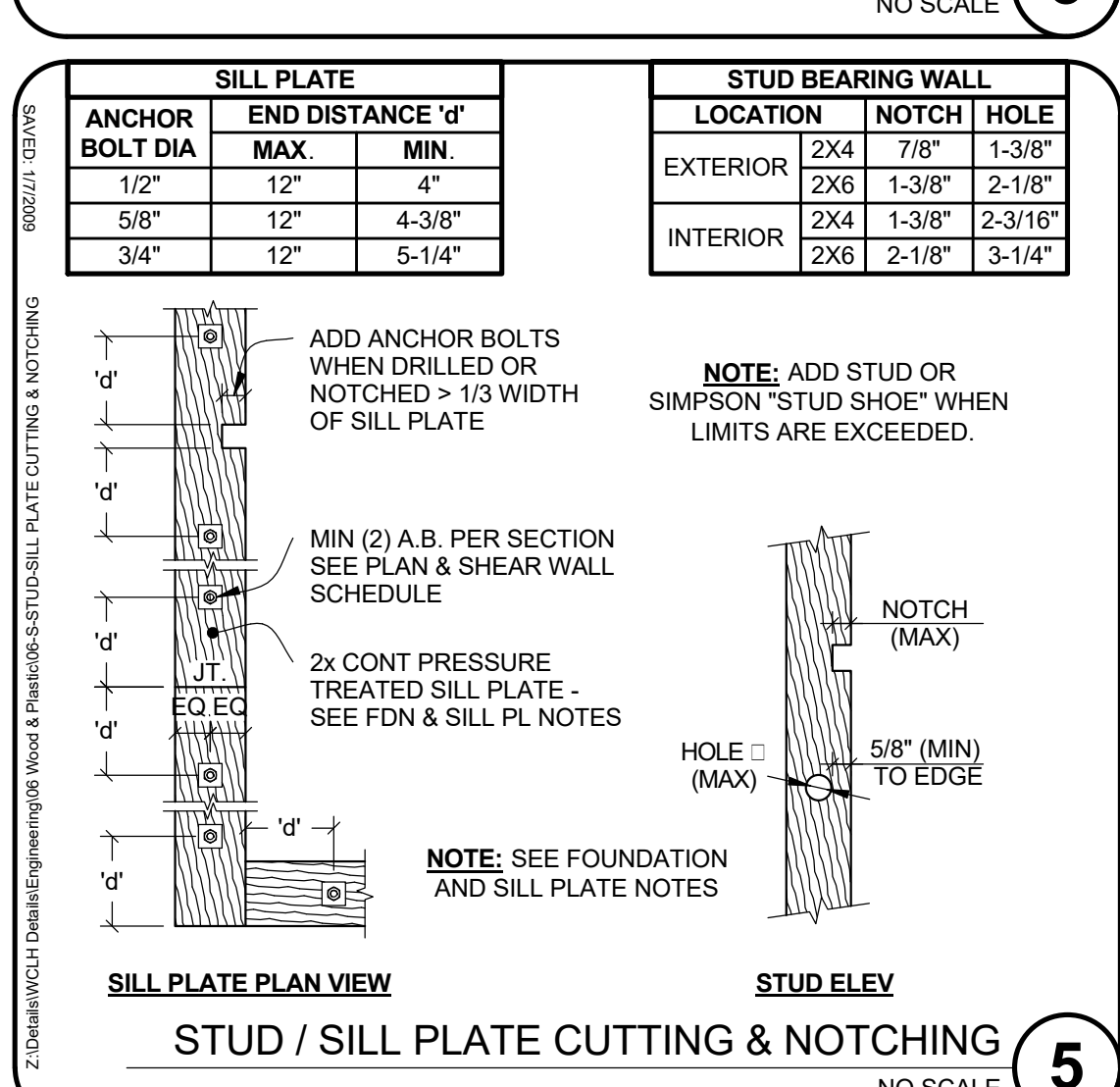
DRAWN BY: ARK

CHECKED BY: GEJ

DATE: 8/21/2017

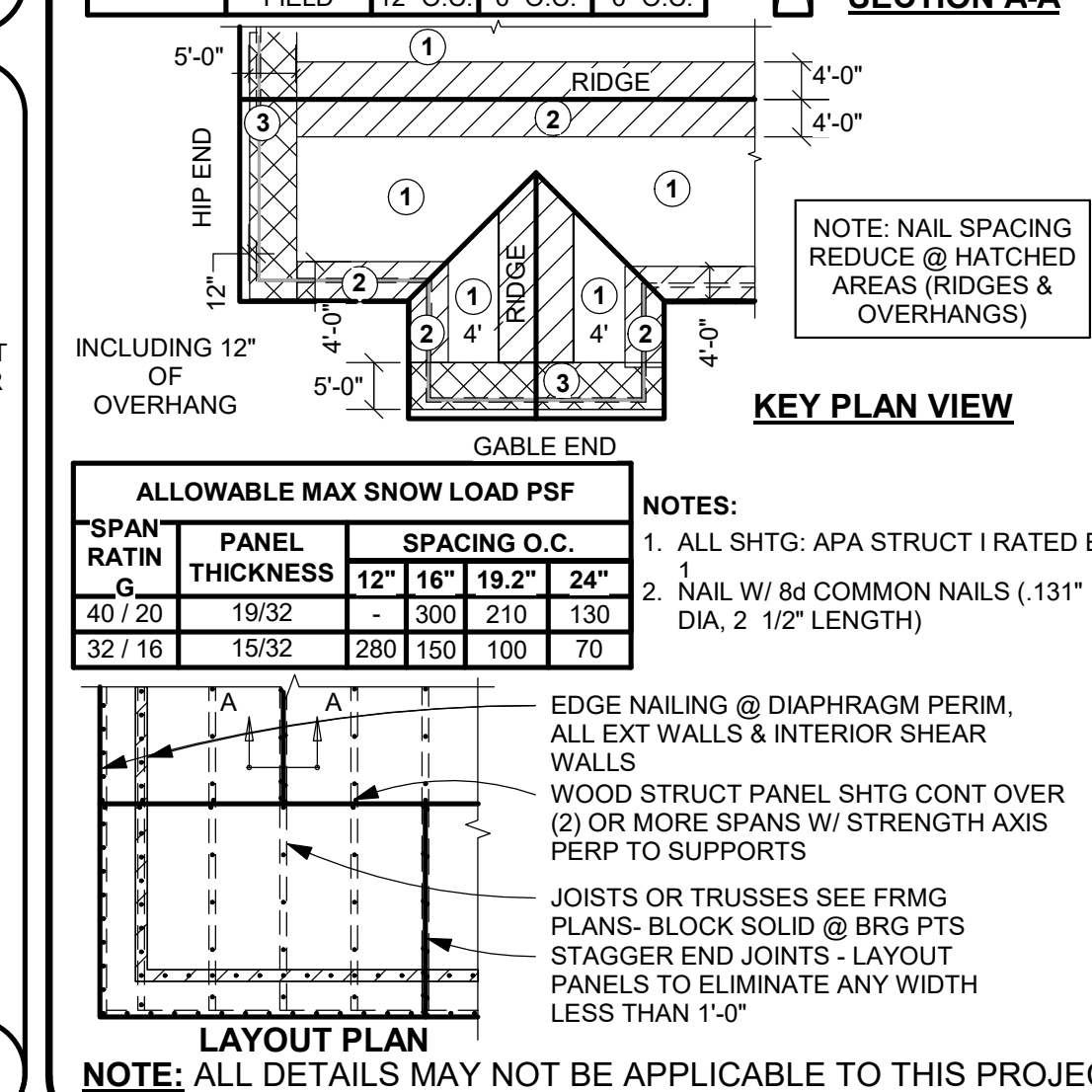
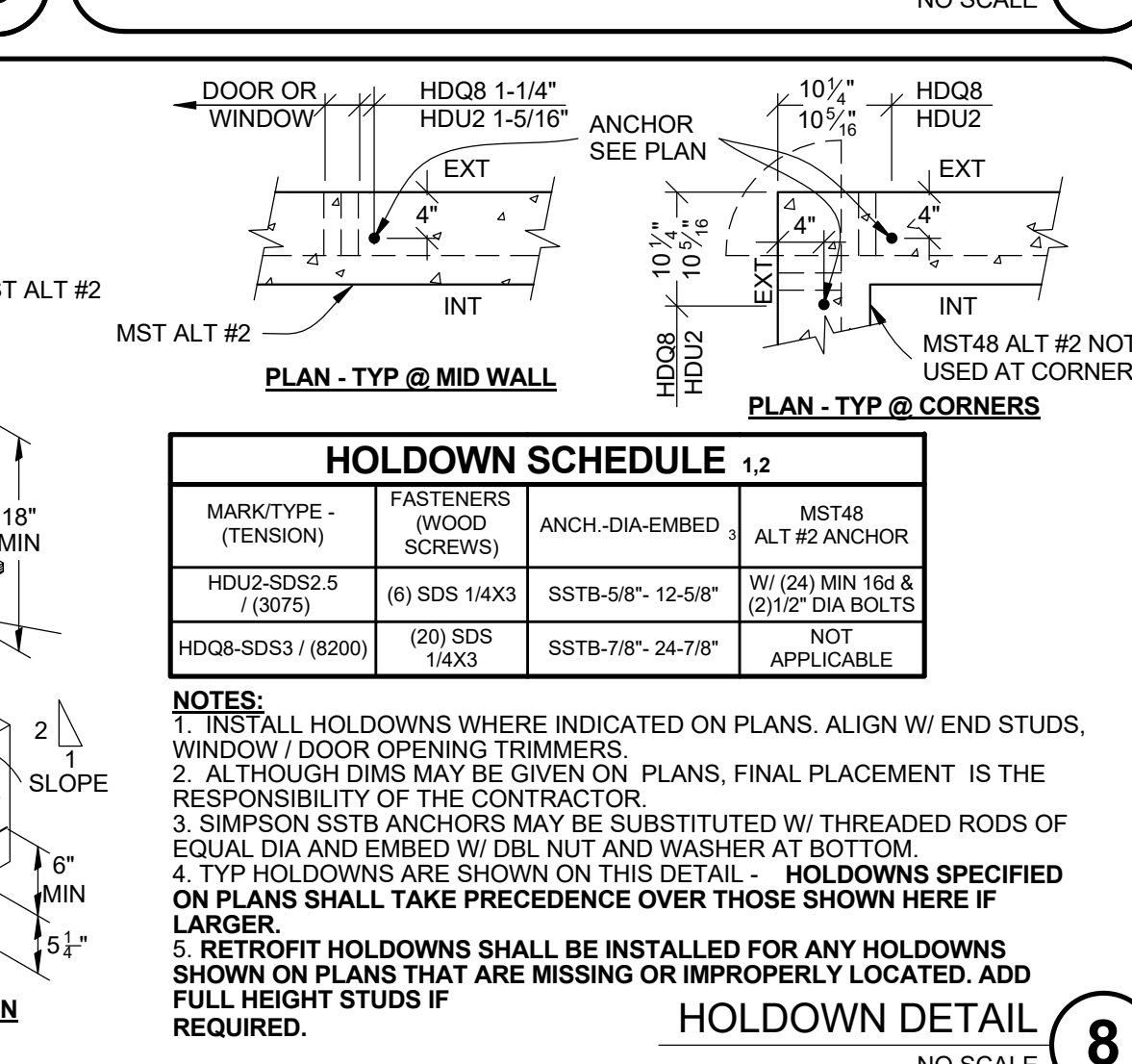
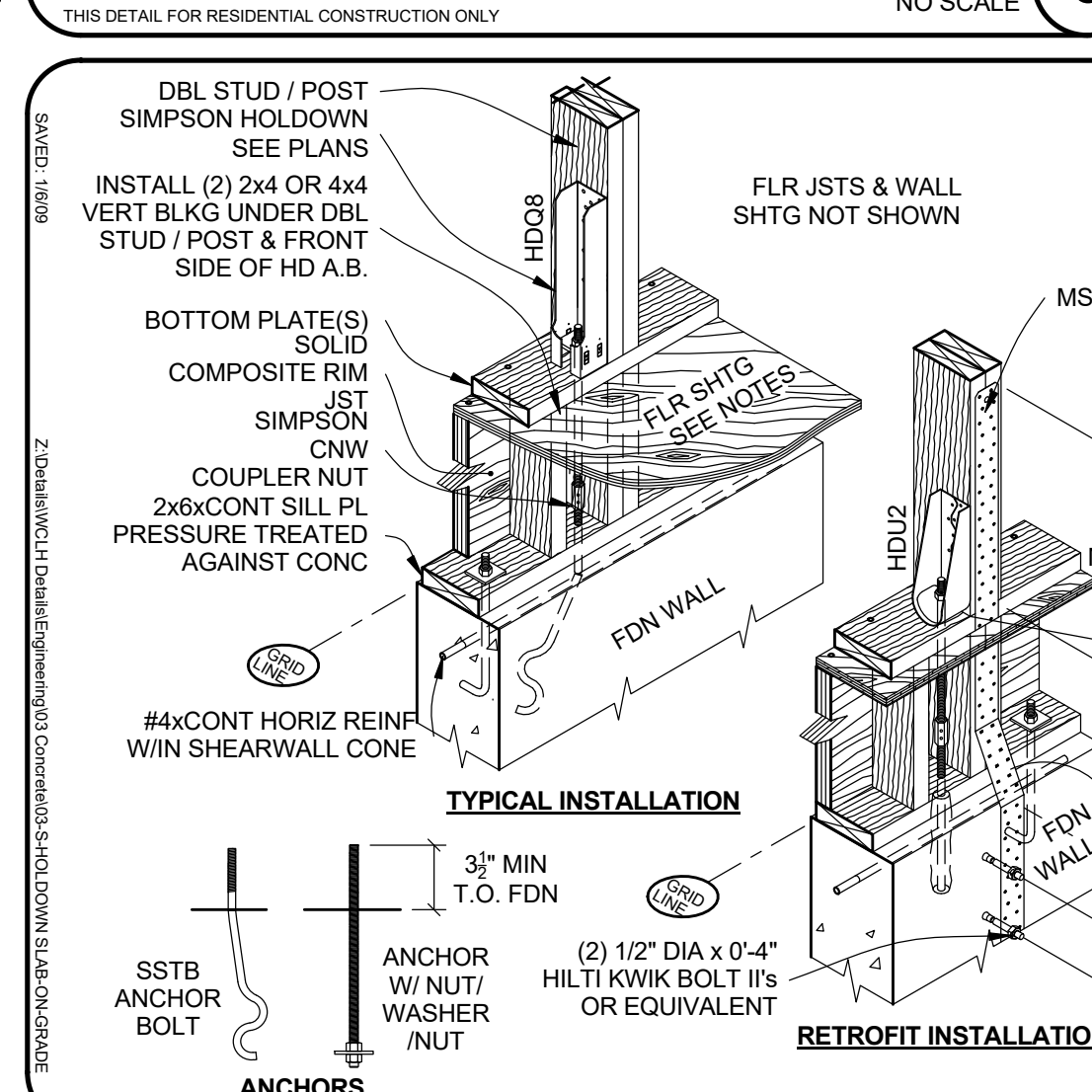
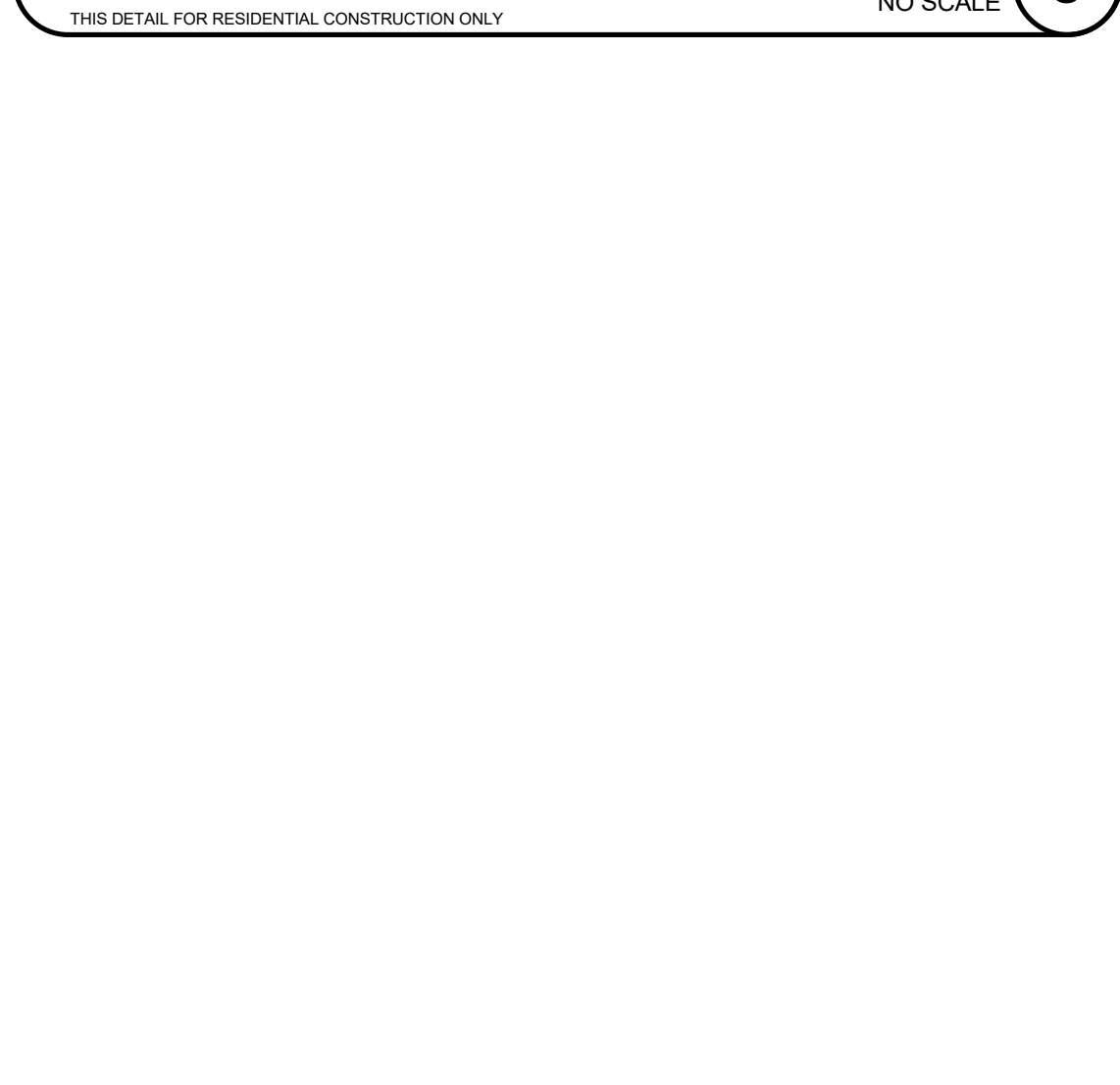
SHEET NO.: S-4.0

V5.1



CONCRETE REINFORCING

- ALL REINFORCEMENT SHALL BE DETAILED AND PLACED IN ACCORDANCE WITH ACI DETAILING MANUAL AND ACI STANDARD.
- ALL REIN. SHALL BE SECURELY TIED IN PLACE PRIOR TO POURING CONCRETE.
- ALL METAL REINFORCEMENT SHALL BE DEFORMED TYPE BARS (EXCEPT #2 BARS) AND SHALL CONFORM TO THE REQUIREMENTS OF THE "STANDARD SPECIFICATIONS A.S.T.M. A615 GRADE 40 OR GRADE 60
- REINFORCEMENT SHALL BE FREE FROM MUD, OIL, OR OTHER NONMETALLIC COATINGS THAT ADVERSELY AFFECT BONDING CAPACITY.



FOUNDATION AND SILL PLATE NOTES

- ALL SILL PLATES RESTING ON EXT FOUNDATION WALLS LESS THAN 8 INCHES FROM EXPOSED EARTH AND ON CONCRETE OR MASONRY SLABS IN DIRECT CONTACT WITH EARTH SHALL BE OF NATURALLY DURABLE OR PRESERVATIVE-TREATED WOOD.
- FOUNDATION PLATES OR SILLS SHALL BE BOLTED OR ANCHORED TO THE FOUNDATION WITH NOT LESS THAN 1/2 INCH-DIAMETER STEEL BOLTS OR APPROVED ANCHORS. BOLTS SHALL BE EMBEDDED AT LEAST 7 INCHES INTO CONCRETE OR MASONRY, AND SPACED NO MORE THAN 6 FEET APART (4 FT. O.C. W/ TWO STORES IN HEIGHT). INSTALL A MIN OF TWO BOLTS OR ANCHOR STRAPS PER PIECE WITH ONE BOLT OR ANCHOR STRAP LOCATED NO MORE THAN 12 INCHES OR LESS THAN 4 INCHES FROM EACH END OF EACH PIECE.
- ANCHOR BOLT SIZE AND SPACING SHALL BE DETERMINED FROM LATERAL LOADING (WIND & SEISMIC) ON THE STRUCTURE. SEE PLAN AND SHEAR WALL SCHEDULE FOR SIZE AND SPACING.
- A PROPERLY SIZED NUT AND WASHER SHALL BE TIGHTENED ON EACH BOLT TO THE PLATE. SEE SHEAR WALL NOTES & SCHEDULE.
- METAL PRODUCTS AND CONNECTIONS (NON-HARDWARE) IN CONTACT WITH PRESERVE-PRESERVATIVE AND FIRE-RETARDANT-TREATED WOOD MUST BE CORROSION RESISTANT. FASTENERS SHALL BE OF HOT-DIPPED ZINC-COATED GALVANIZED STEEL, STAINLESS STEEL, SILICON BRONZE OR COPPER. DO NOT USE STANDARD CARBON-STEEL OR ALUMINUM PRODUCTS. EXCEPTIONS: 1. ONE-HALF INCH DIAMETER CARBON-STEEL FASTENERS AND CONNECTORS; 2. FASTENERS AND CONNECTORS COATED WITH PROPRIETARY ANTI-CORROSION TECHNOLOGIES MAY BE USED. CONSULT INDIVIDUAL HARDWARE MANUFACTURERS FOR SPECIFICS REGARDING THE PERFORMANCE OF THEIR PRODUCT.

CONCRETE REINFORCING

REVISIONS

PROJECT NAME: SUMMIT

OWNER: JUSTIN MEYER

ADDRESS: CABIN SITE 66 SAN MIGUEL COUNTY, CO

DRAWING TITLE: FOOTING & FOUNDATION DETAILS

PROJECT NO.: 17-307

FINAL

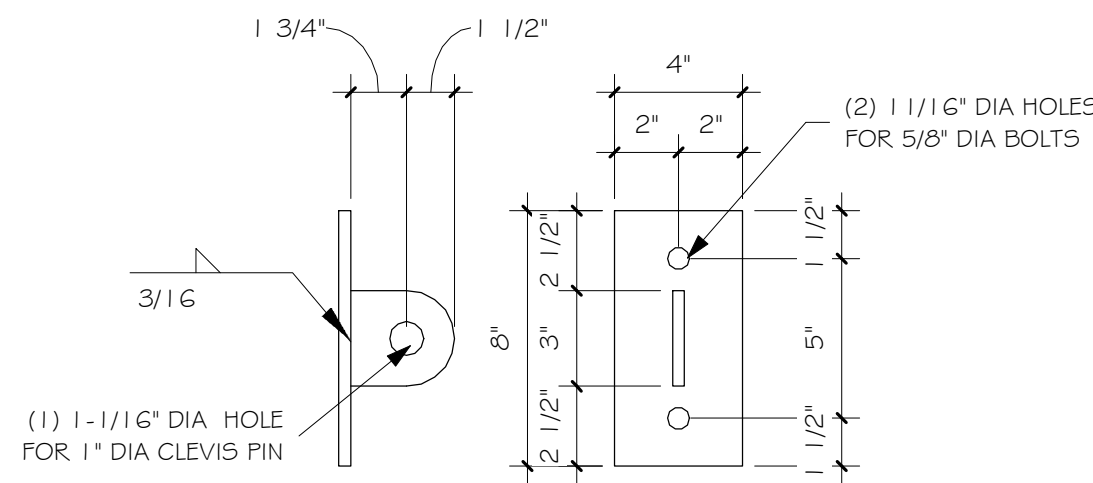
DRAWN BY: ARK

CHECKED BY: GEJ

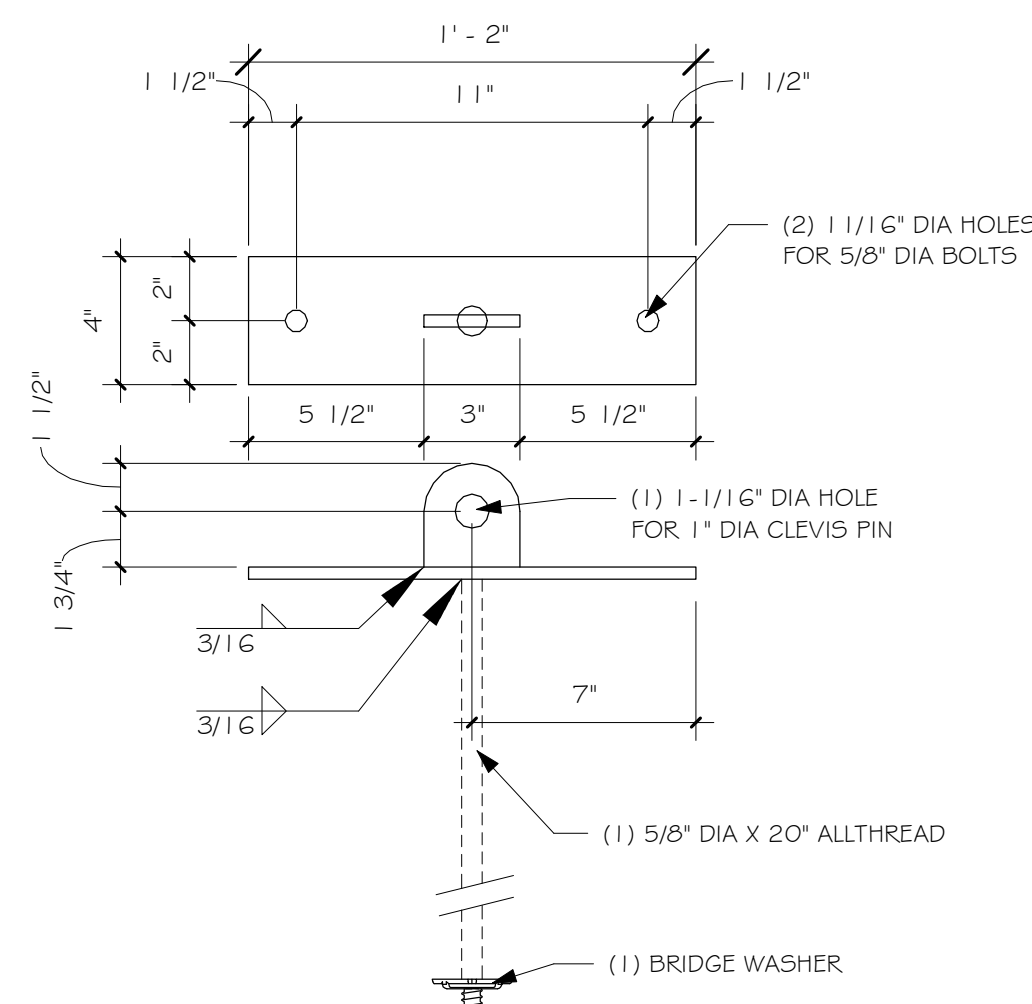
DATE: 8/21/2017

SHEET NO.: S-4.0

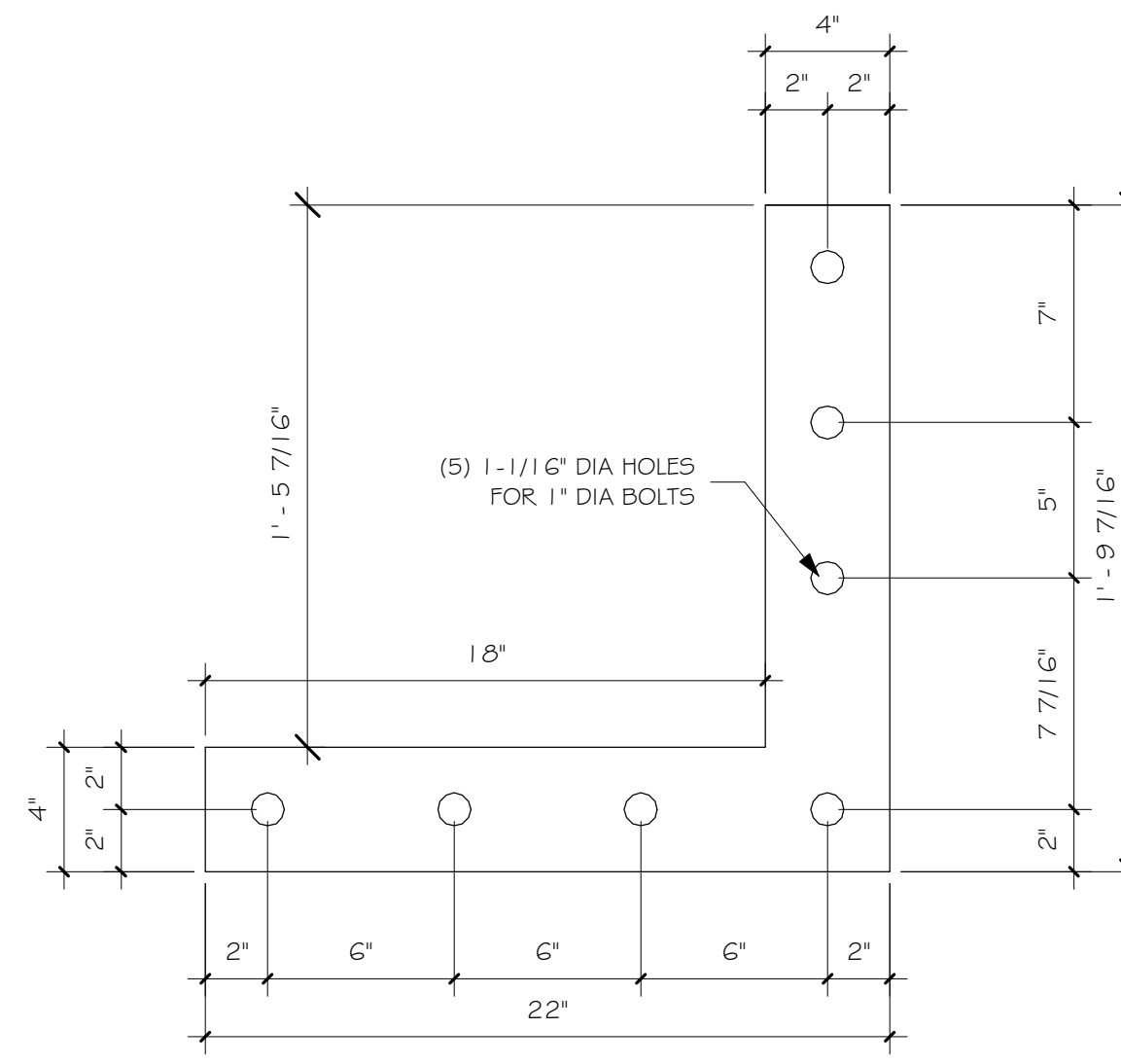
V5.1



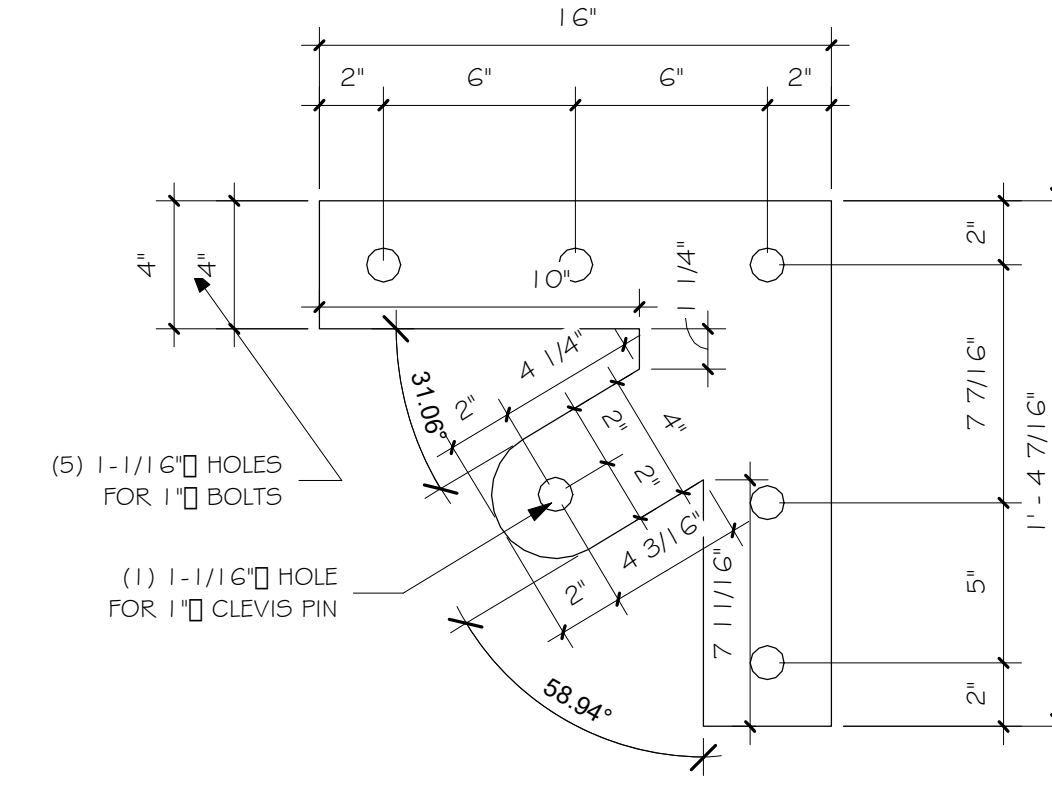
PLATES TO BE 3/8" A36 STEEL
PAINTED BLACK
QTY. 5



PLATES TO BE 3/8" A36 STEEL
PAINTED BLACK
QTY. 5



PLATES TO BE 3/8" A36 STEEL
PAINTED BLACK
QTY. 4



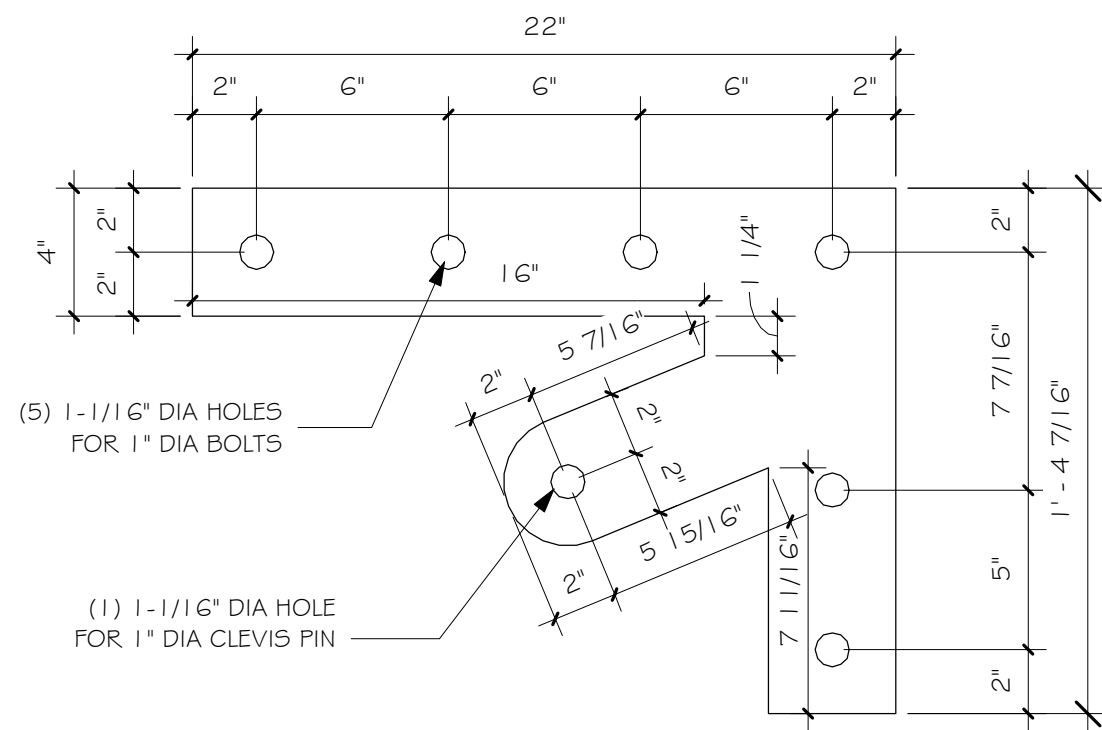
PLATES TO BE 3/8" A36 STEEL
PAINTED BLACK
QTY. 8

1 STEEL PLATE "A"
2" = 1'-0"

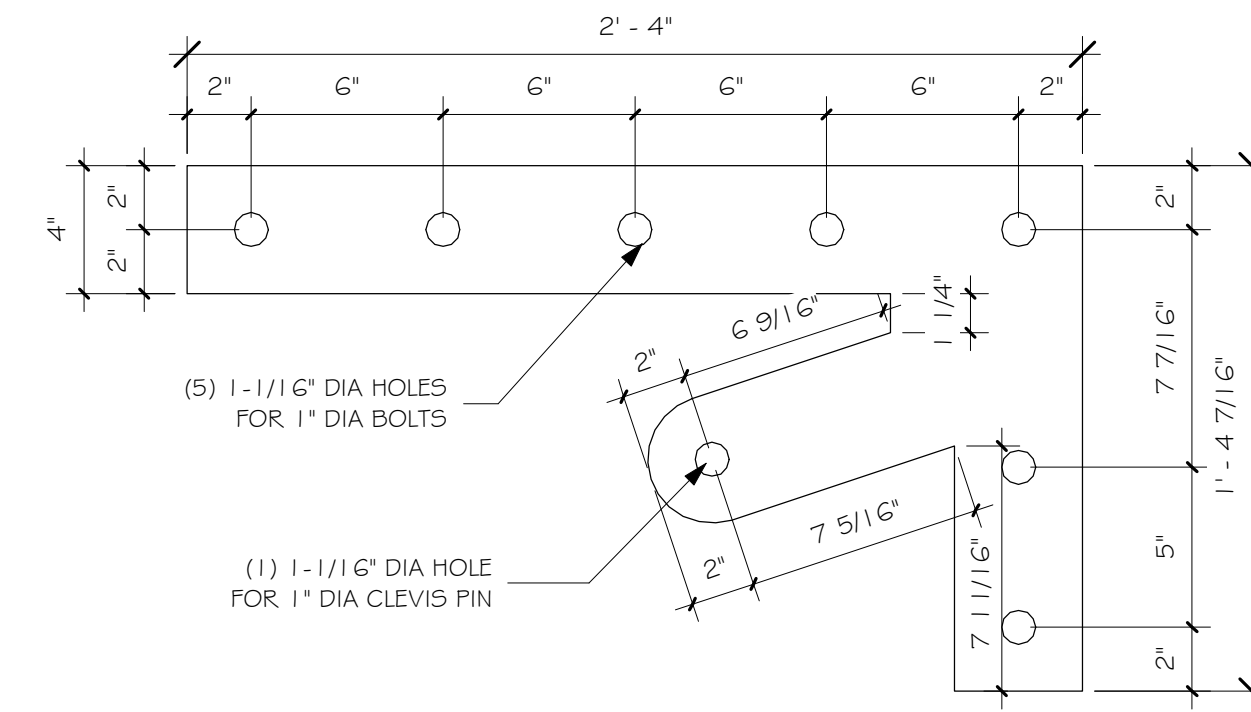
2 STEEL PLATE "B"
2" = 1'-0"

3 STEEL PLATE "C"
2" = 1'-0"

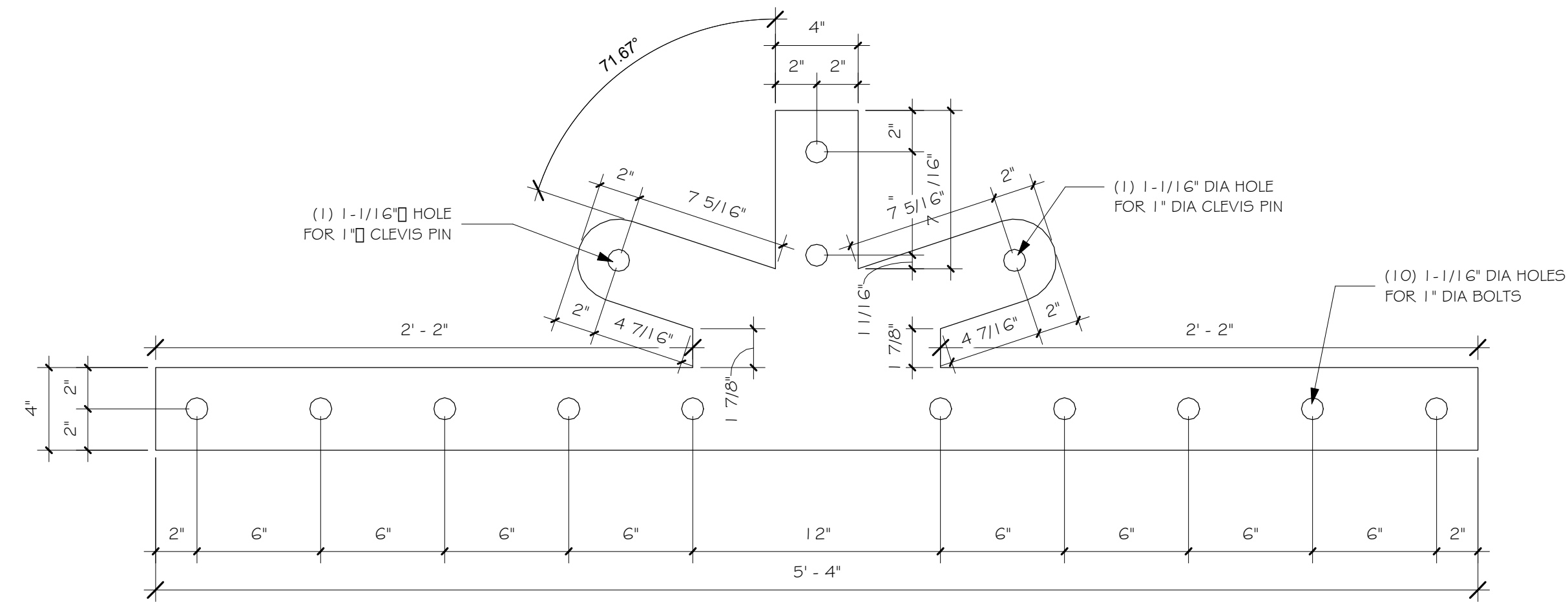
4 STEEL PLATE "D"
2" = 1'-0"



PLATES TO BE 3/8" A36 STEEL
PAINTED BLACK
QTY. 8



PLATES TO BE 3/8" A36 STEEL
PAINTED BLACK
QTY. 4

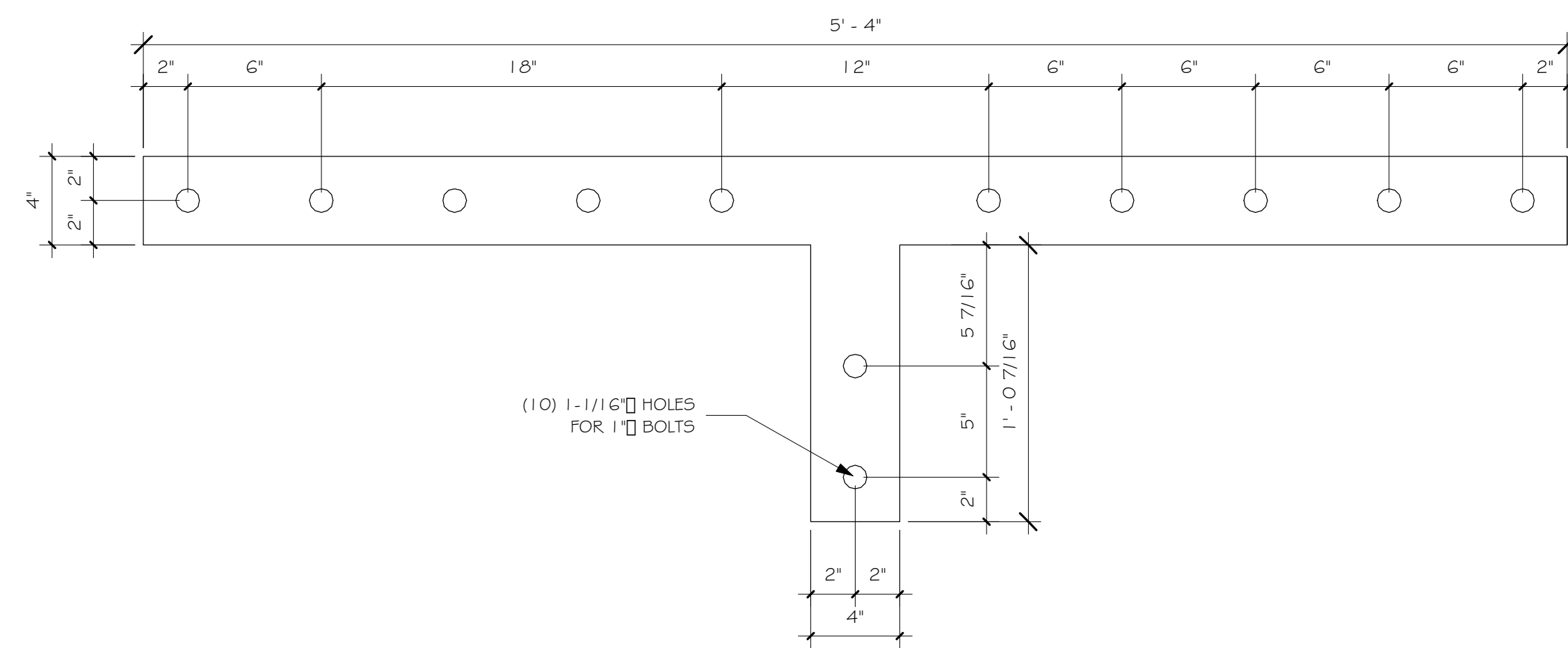


PLATES TO BE 3/8" A36 STEEL
PAINTED BLACK
QTY. 2

5 STEEL PLATE "E"
2" = 1'-0"

6 STEEL PLATE "F"
2" = 1'-0"

7 STEEL PLATE "G"
2" = 1'-0"



PLATES TO BE 3/8" A36 STEEL
PAINTED BLACK
QTY. 2

8 STEEL PLATE "H"
2" = 1'-0"

THESE PLANS, DRAWINGS, AND DESIGNS ARE THE PROPERTY OF WHISPER CREEK LOG HOMES (WCLH). ALL RIGHTS RESERVED AND SHALL NOT BE REPRODUCED OR COPIED WITHOUT THE EXPRESSED WRITTEN CONSENT FROM AN OFFICER OF WCLH. UNDER PENALTY OF PROSECUTION THESE PLANS ARE RELEASED FOR CONSTRUCTION ON THE SITE DESCRIBED HEREON AND NO OTHER.

THESE DESIGNS AND DETAILS ARE BASED ON MANY YEARS OF CONSTRUCTION, DESIGN, AND ENGINEERING PRACTICE IN NUMEROUS DIVERSE JURISDICTIONS. THE PURPOSE IS TO PROVIDE A BASIS FOR THE DESIGNS INCORPORATED IN WHISPER CREEK LOG HOMES (WCLH). HOWEVER, IT IS THE RESPONSIBILITY OF THE OWNER TO CONSULT WITH ARCHITECT OR ENGINEER OF RECORD (E.O.R.) TO REVIEW AND VERIFY ANY AND ALL OF THE ASSUMPTIONS MADE AND DESIGNS PRESENTED. WCLH MAKES NO WARRANTY OR GUARANTEE AS TO THE FINAL SITE SPECIFIC APPLICABILITY OF THE DESIGN. ANY AND ALL PROPOSED CHANGES BY THE E.O.R. SHALL BE COORDINATED WITH WCLH. ALL CHANGES MUST BE APPROVED IN WRITING BY WCLH. IF APPROVED, ALL CHANGES WILL RESULT IN ADDITIONAL COSTS AND MAY REQUIRE MODIFICATIONS TO THE PLANS AND WALLS.



| REVISIONS | | | |
|-----------|-----|-------|--|
| No. | By: | Date: | |
| | | | |

PROJECT NAME:
SUMMIT

OWNER:
JUSTIN MEYER

ADDRESS:
**CABIN SITE 66
SAN MIGUEL COUNTY, CO**

DRAWING TITLE:
BRACKET DETAILS

| | |
|--------------|------------------------------|
| PROJECT NO.: | FINALS |
| | DRAWN BY: JCF |
| | CHECKED BY: MANAGER |
| | DATE: 10/16/2020 11:58:31 AM |
| | SHEET NO.: S4.01 |