

DRIVEWAY CONSTRUCTION PLANS FOR SITE 66, TROUT LAKE LAND COMPANY SAN MIGUEL COUNTY, COLORADO

GENERAL NOTES:

1. AT LEAST TWO (2) FULL WORKING DAYS PRIOR TO COMMENCING CONSTRUCTION THE CONTRACTOR SHALL CONTACT THE UTILITY NOTIFICATION CENTER OF COLORADO AT 1-800-922-1987 OR 811 TO OBTAIN AN INQUIRY IDENTIFICATION NUMBER AND TO REQUEST THE UTILITY OWNERS TO MARK OR OTHERWISE INDICATE THE LOCATION AND DEPTH OF ALL UNDERGROUND UTILITIES, INCLUDING SERVICE CONNECTIONS, WHICH MAY BE AFFECTED BY ITS OPERATIONS. THE CONTRACTOR SHALL TAKE ALL NECESSARY MEASURES TO PROTECT ALL UTILITIES AND ALL STRUCTURES FOUND AT THE SITE.
2. CONTRACTOR SHALL BE RESPONSIBLE FOR VERIFYING THE LOCATION OF ALL EXISTING UTILITIES, INCLUDING ANY UTILITIES NOT SHOWN ON THE DRAWINGS WHEN WORKING NEAR EXISTING UTILITIES, THE CONTRACTOR SHALL EXERCISE SUFFICIENT CARE TO PREVENT DAMAGE TO THE LINES IN THE EVENT THAT THE INFORMATION SHOWN ON THE DRAWINGS DOES NOT REFLECT ACTUAL FIELD CONDITIONS.
3. IF ANY OF THE EXISTING UTILITIES AND SERVICES ARE IN CONFLICT WITH THE CONSTRUCTION PLANS THE CONTRACTOR SHALL NOTIFY AND WORK WITH THE ENGINEER TO FIND A SOLUTION BEFORE THE START OF ANY CONSTRUCTION ACTIVITIES.
4. ALL MATERIALS AND CONSTRUCTION SHALL BE IN CONFORMANCE WITH THE SAN MIGUEL COUNTY LAND USE CODE, EXCEPT FOR APPROVED DRIVEWAY SLOPES AND MAXIMUM 2.5:1 GRADING AS SHOWN WITHIN THESE PLANS.
5. ALL TRENCHES SHALL BE ADEQUATELY SUPPORTED AND THE SAFETY OF WORKERS PROVIDED FOR AS REQUIRED BY THE MOST RECENT OCCUPATIONAL SAFETY AND HEALTH ADMINISTRATION (OSHA) "SAFETY AND HEALTH REGULATIONS FOR CONSTRUCTION." THESE REGULATIONS ARE DESCRIBED IN SUBPART P, PART 1926 OF THE CODE OF FEDERAL REGULATIONS. SHEETING AND SHORING SHALL BE UTILIZED WHERE NECESSARY TO PREVENT ANY EXCESSIVE WIDENING OR SLOUGHING OF THE TRENCH WHICH MAY BE DETRIMENTAL TO HUMAN SAFETY. TO THE PIPE BEING PLACED, TO TREES OR TO ANY EXISTING STRUCTURE WHERE EXCAVATIONS ARE MADE UNDER SEVERE WATER CONDITIONS. THE CONTRACTOR MAY BE REQUIRED TO USE AN APPROVED PILING INSTEAD OF SHEETING AND SHORING.
6. THE CONTRACTOR SHALL HAVE ONE SIGNED COPY OF THE PLANS APPROVED BY SAN MIGUEL COUNTY AND ONE COPY OF THE APPROPRIATE DESIGN AND CONSTRUCTION STANDARDS AND SPECIFICATIONS ON THE JOB SITE AT ALL TIMES.
7. IF CUMULATIVE AREA OF DISTURBANCE EQUALS OR EXCEEDS ONE (1) ACRE, ON-SITE EROSION CONTROL SHALL BE PLANNED AND EXECUTED IN CONFORMANCE WITH THE COLORADO DEPARTMENT OF PUBLIC HEALTH AND ENVIRONMENT, WATER QUALITY CONTROL DIVISION, STORM WATER DISCHARGE REGULATIONS.
8. THE CONTRACTOR IS RESPONSIBLE FOR IMPLEMENTING AND MAINTAINING EROSION AND SEDIMENT CONTROL MEASURES AT ALL TIMES DURING CONSTRUCTION. THE PLAN MAY BE MODIFIED WITH APPROPRIATE APPROVALS FROM SAN MIGUEL COUNTY AND THE ENGINEER AS FIELD CONDITIONS WARRANT.
9. ALL EXISTING TOPOGRAPHIC, BOUNDARY, AND UTILITY INFORMATION PROVIDED BY BACKCOUNTRY SURVEYING INC. BENCHMARK; NO. 5 REBAR AND 1.5" ALUMINUM CAP MONUMENT AT THE OLD BUILDING SITE CENTERPOINT FOR SITE 65, TROUT LAKE LAND COMPANY WITH A NAVD ELEVATION OF 9795.74 FEET, CONTACT DAVE FOLEY AT (970) 728-9998 FOR MORE BENCHMARK INFORMATION.
10. REPAIR OF ANY DAMAGE TO EXISTING IMPROVEMENTS OR LANDSCAPING IS THE RESPONSIBILITY OF THE CONTRACTOR.
11. CONTRACTOR SHALL REGULARLY PATROL THE PUBLIC LANDS ADJACENT TO THE DEVELOPMENT TO REMOVE CONSTRUCTION DEBRIS AND KEEP CLEAN AND SAFE.
12. ALL CONSTRUCTION ACTIVITIES MUST COMPLY WITH THE STATE OF COLORADO PERMITTING PROCESS FOR "STORMWATER DISCHARGES ASSOCIATED WITH CONSTRUCTION ACTIVITY." FOR INFORMATION, PLEASE CONTACT COLORADO DEPARTMENT OF HEALTH, WATER QUALITY CONTROL DIVISION, WQCD-PE-B2, 4300 CHERRY DRIVE SOUTH, DENVER, COLORADO 80222-1530. ATTENTION: PERMITS AND ENFORCEMENT SECTION. PHONE (303) 692-3500.
13. PRIOR TO THE COMMENCEMENT OF ANY CONSTRUCTION, THE CONTRACTOR SHALL CONTACT ALL UTILITY PROVIDERS TO COORDINATE SCHEDULES.
14. CONTRACTOR SHALL NOTIFY ALL RESIDENTS IN WRITING 24 HOURS PRIOR TO ANY SHUT-OFF IN SERVICE. THE NOTICES MUST HAVE CONTRACTOR'S PHONE NUMBER AND NAME OF CONTACT PERSON, AND EMERGENCY PHONE NUMBER FOR AFTER HOURS CALLS. ALL SHUT-OFF'S MUST BE APPROVED BY THE TOWN OF TELLURIDE, COUNTY, AND UTILITY PROVIDER. TOWN OF TELLURIDE VALVES AND APPURTENANCES SHALL BE OPERATED BY TOWN PERSONNEL, UNLESS WRITTEN PERMISSION IS GIVEN OTHERWISE.

GENERAL NOTES CONT.:

15. PRIOR TO BEGINNING OF ANY CONSTRUCTION ACTIVITIES ALL NECESSARY PERMITS SHALL BE OBTAINED BY THE OWNER/DEVELOPER OR CONTRACTOR.
16. THE CONTRACTOR SHALL PROVIDE, ERECT AND MAINTAIN PROPER TRAFFIC CONTROL DEVICES UNTIL THE SITE IS OPEN TO TRAFFIC.

GRADING AND EROSION CONTROL NOTES:

17. ALL SITE GRADING (EXCAVATION, EMBANKMENT, AND COMPACTION) SHALL CONFORM TO THE RECOMMENDATIONS OF THE LATEST SOILS INVESTIGATION FOR THIS PROPERTY AS DETERMINED BY A GEOTECHNICAL ENGINEER.
18. MAXIMUM CUT SLOPES AND FILL SLOPES ARE 2.5:1 (HORIZONTAL:VERTICAL). TO BE CONFIRMED BY GEOTECHNICAL REPORT.
19. ALL FILL MUST BE COMPACTED TO 95% MODIFIED PROCTOR AT PLUS OR MINUS 2% OF THE OPTIMUM MOISTURE CONTENT OR AS REQUIRED BY THE GEOTECHNICAL ENGINEER.
20. NATURAL VEGETATION SHALL BE RETAINED AND PROTECTED WHEREVER POSSIBLE. EXPOSURE OF SOIL TO EROSION BY REMOVAL OR DISTURBANCE OF VEGETATION SHALL BE LIMITED TO THE AREA REQUIRED FOR IMMEDIATE CONSTRUCTION OPERATION AND FOR THE SHORTEST PRACTICAL PERIOD OF TIME.
21. UNSUITABLE MATERIAL SHALL BE REMOVED AS REQUIRED BY THE SOILS ENGINEER FROM ALL AREAS TO RECEIVE COMPACTED FILL OR DRAINAGE STRUCTURES. ALL MATERIALS SUCH AS LUMBER, LOGS, BRUSH, PETE OR ANY OTHER ORGANIC MATERIALS OR RUBBISH SHALL BE REMOVED FROM ALL AREAS TO RECEIVE COMPACTED FILL.
22. NO MATERIAL SHALL BE COMPACTED WHEN FROZEN.
23. TOPSOIL SHALL BE STOCKPILED TO THE EXTENT PRACTICABLE ON THE SITE FOR USE ON AREAS TO BE REVEGETATED. ANY AND ALL STOCKPILES SHALL BE LOCATED AND PROTECTED FROM EROSION ELEMENTS.
24. AT ALL TIMES, THE PROPERTY SHALL BE MAINTAINED AND/OR WATERED TO PREVENT WIND-CAUSED EROSION. EARTHWORK OPERATIONS SHALL BE DISCONTINUED WHEN FUGITIVE DUST SIGNIFICANTLY IMPACTS ADJACENT PROPERTY. IF EARTHWORK IS COMPLETE OR DISCONTINUED AND DUST FROM THE SITE CONTINUES TO CREATE PROBLEMS, THE CONTRACTOR SHALL IMMEDIATELY INSTITUTE MITIGATIVE MEASURES AND SHALL CORRECT DAMAGE TO ADJACENT PROPERTY.
25. NATIVE MATERIAL AND/OR TOPSOIL STOCKPILED MUST HAVE SEPARATE SILT FENCE AROUND STOCKPILE AND BE VEGETATED WITH NATIVE SEED MIX IF THE STOCKPILE IS TO REMAIN FOR 90 DAYS OR LONGER.
26. WATER CAN BE USED AS A DUST PALLIATIVE.
27. THE CONTRACTOR SHALL PROVIDE ANY ADDITIONAL DUST ABATEMENT AND EROSION CONTROL MEASURES DEEMED NECESSARY BY THE COUNTY, SHOULD CONDITIONS MERIT THEM.
28. ALL DISTURBED GROUND TO BE RE-SEEDED AT 100 LBS/ACRE OF SAN MIGUEL COUNTY SEED MIX AS APPROVED BY SAN MIGUEL COUNTY OR PER SAN MIGUEL AND HOME OWNERS ASSOCIATION.
29. THE CONTRACTOR IS REQUIRED TO PROTECT ALL EXISTING SURVEY MONUMENTATION AND PROPERTY CORNERS DURING GRADING AND CONSTRUCTION.

RETAINING WALL NOTES:

30. SEE FINAL RETAINING WALL SECTIONS FOR FINAL STRUCTURAL DESIGNS, BY OTHERS.
31. TW=TOP OF WALL ELEVATION AT FINISHED GROUND SURFACE; BW=BOTTOM OF WALL ELEVATION AT FINISHED GROUND SURFACE; THESE ELEVATIONS DO NOT INCLUDE ANY REQUIRED FOUNDATIONS OR CAPS. SEE STRUCTURAL OR GEOTECHNICAL PLANS FOR DETAILS.

DRIVEWAY NOTES:

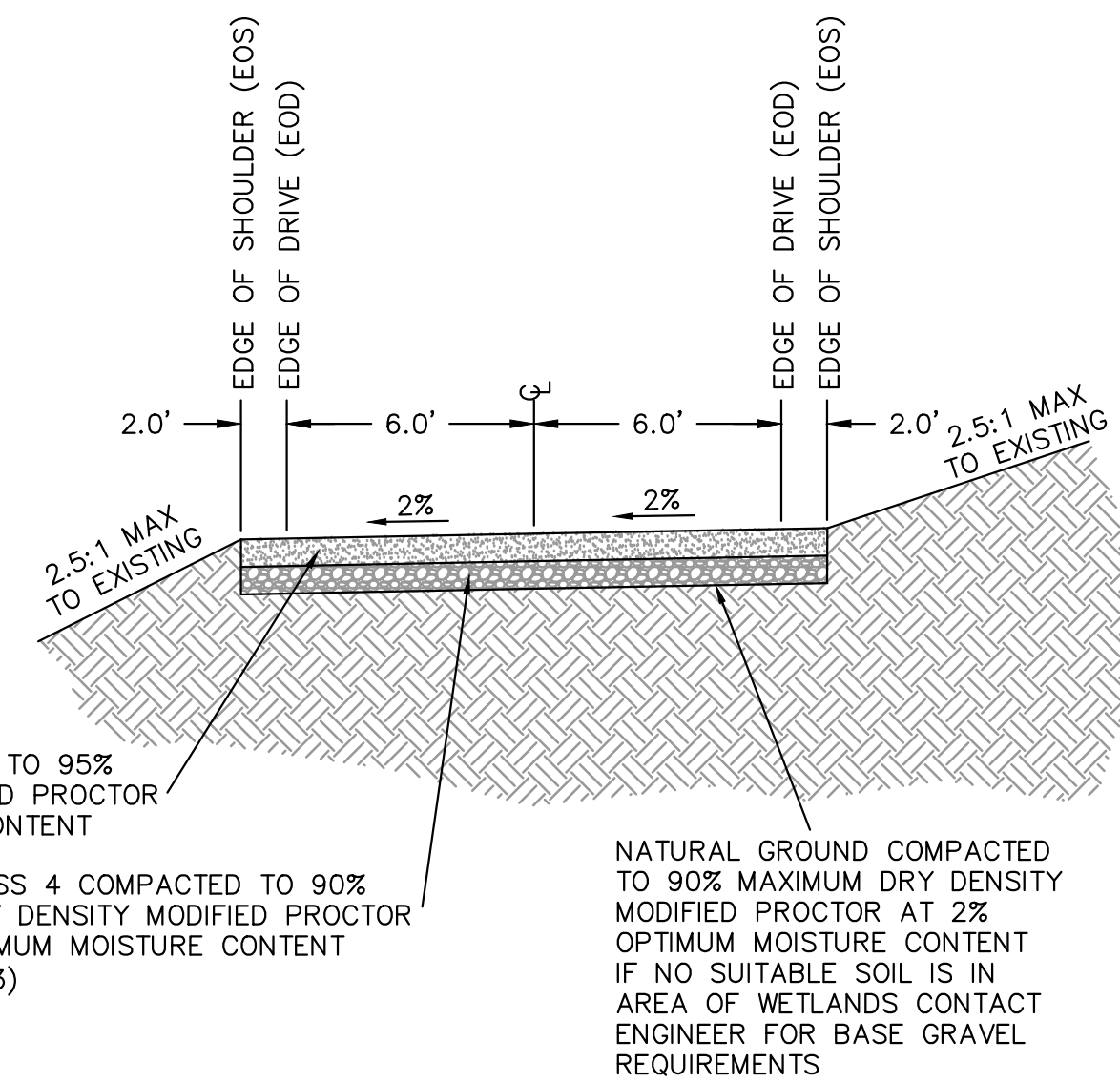
32. THERE IS NO DRIVEWAY SPECIFIC GEOTECHNICAL REPORT. A GEOTECHNICAL REPORT MAY BE UTILIZED TO MODIFY PAVEMENT (GRAVEL, CONCRETE, OR ASPHALT) SECTIONS AND DAYLIGHT SLOPES. ALL RECOMMENDATIONS MADE BY A SOILS ENGINEER CONTAINED IN SUCH A REPORT SHALL BE INCORPORATED INTO THIS DESIGN.
33. STATIONS SHOWN ARE ALONG THE CENTERLINE OF THE DRIVEWAY.

DRIVEWAY NOTES CONT.:

34. IF CULVERTS UTILIZED; ALL CULVERTS SHALL BE 16 GAUGE CORRUGATED STEEL PIPE WITH 2-2/3" X 1/2" CORRUGATIONS.

STORM DRAIN NOTES:

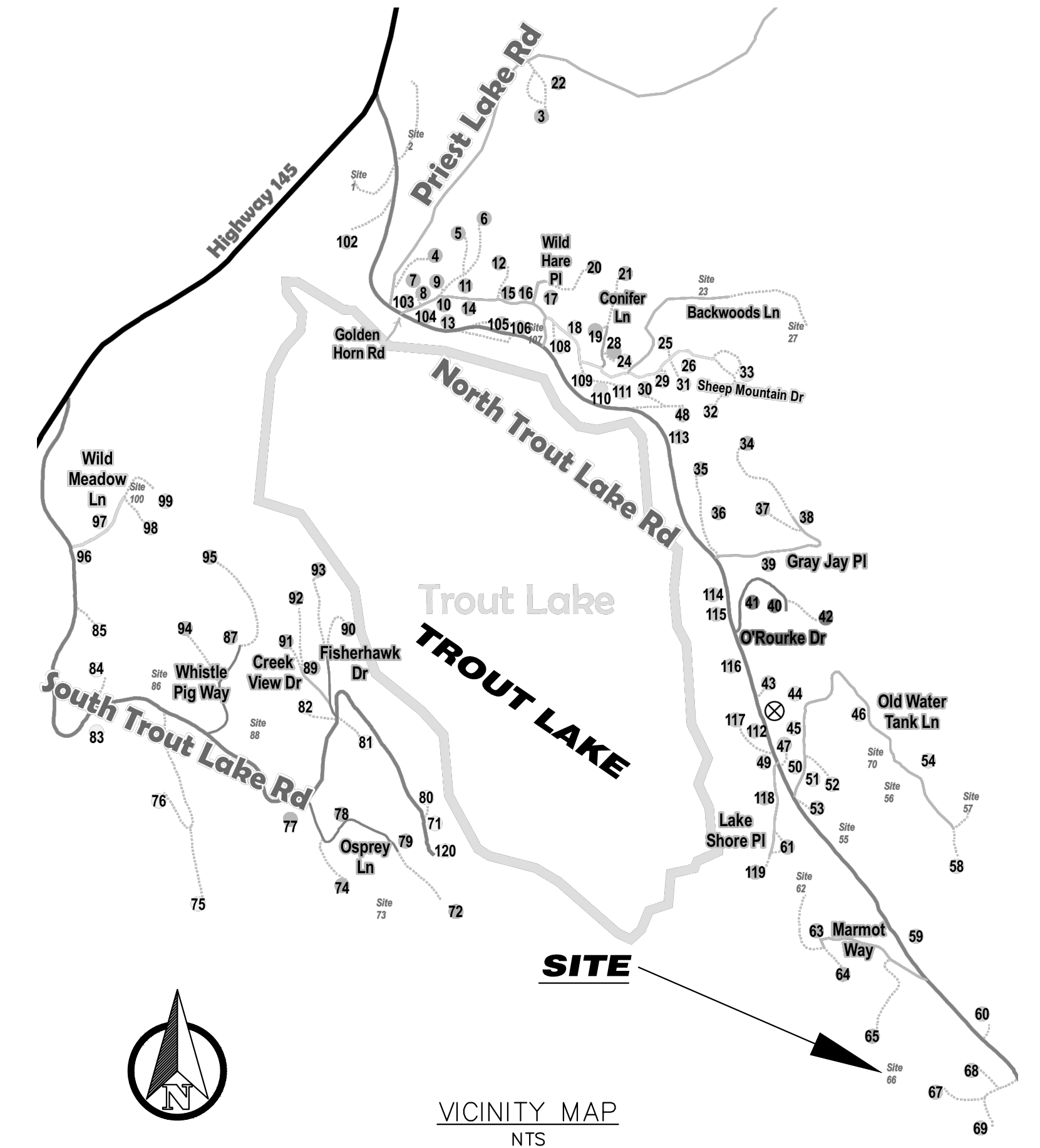
35. ALL PIPES SHALL HAVE CLASS "B" BEDDING UNLESS OTHERWISE SHOWN. BEDDING MATERIAL SHALL CONFORM TO ASTM C-33 OR D-448, GRADATION NO. 67.



TYPICAL DRIVEWAY SECTION

CIVIL SHEET INDEX

1. COVER SHEET
2. DRIVEWAY PLAN AND PROFILE
3. DRIVEWAY PLAN AND PROFILE
4. DRAINAGE AND EROSION CONTROL PLAN
5. CONSTRUCTION ACCESS PLAN
6. DETAILS



CALL UTILITY NOTIFICATION
CENTER OF COLORADO
1-800-922-1987
OR
811
CALL 2-BUSINESS DAYS IN ADVANCE
BEFORE YOU DIG, GRADE, OR
EXCAVATE FOR THE MARKING OF
UNDERGROUND MEMBER UTILITIES.

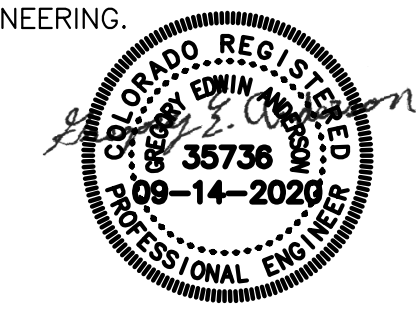


**ALPINE LAND
CONSULTING, LLC**
P.O. BOX 234
RICO, COLORADO 81552
970-708-0326
REGG@ALPINELANDCONSULTING.COM

SITE 66 TROUT LAKE
DRIVEWAY
COVER SHEET

CLIENT:
JUSTIN MEYER
JUSTIN@ROCKETSCIENCE.CC

THESE DRIVEWAY CONSTRUCTION DOCUMENTS WERE PREPARED BY ME AND UNDER MY DIRECT SUPERVISION ON BEHALF OF ALPINE LAND CONSULTING, LLC FOR JUSTIN MEYER AND INCLUDES DRIVEWAY AND CULVERT DESIGN ONLY, AND DOES NOT INCLUDE ANY OTHER PLANNING OR ENGINEERING.



GREGORY E. ANDERSON
COLORADO PROFESSIONAL ENGINEER
REGISTRATION NO. 35736

NO.	REVISIONS	DATE

DATE: SEPTEMBER 16, 2020

PROJECT #: 2018008

PROJECT MANAGER: GEA
DRAWN BY: ADM

1 OF 6

NOTES

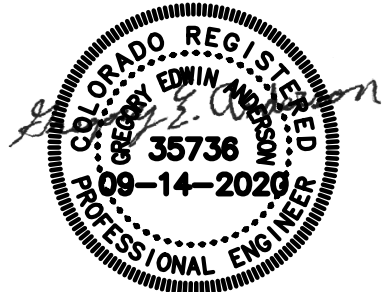
- SOME FIELD MODIFICATIONS MAY BE REQUIRED AS THE EXISTING TOPOGRAPHIC INFORMATION PROVIDED WAS LIMITED IN SOME AREAS. CONTACT THE ENGINEER WITH ANY DISCREPANCIES TO AVOID ANY ADDITIONAL COSTS.
- MAXIMUM SLOPE GRADING IS TO BE 2.5(H):1(V).
- NO DEVELOPMENT ACTIVITY SHALL BE ALLOWED WITHIN ANY WETLAND OR BUFFER ZONE WITHOUT A WETLAND SPECIAL USE PERMIT.
- SEE PLANS BY OTHERS FOR SITE GRADING.

LEGEND

FF = FINISHED FLOOR
 FG = FINISHED GRADE
 FL = FLOWLINE

CALL UTILITY NOTIFICATION
 CENTER OF COLORADO
1-800-922-1987
 OR
811
 CALL 2-BUSINESS DAYS IN ADVANCE
 BEFORE YOU DIG, GRADE, OR
 EXCAVATE FOR THE MARKING OF
 UNDERGROUND MEMBER UTILITIES.

THESE DRIVEWAY CONSTRUCTION DOCUMENTS WERE PREPARED BY ME AND UNDER MY DIRECT SUPERVISION ON BEHALF OF ALPINE LAND CONSULTING, LLC FOR JUSTIN MEYER AND INCLUDES DRIVEWAY AND CULVERT DESIGN ONLY, AND DOES NOT INCLUDE ANY OTHER PLANNING OR ENGINEERING.



GREGORY E. ANDERSON
 COLORADO PROFESSIONAL ENGINEER
 REGISTRATION NO. 35736



ALPINE LAND CONSULTING, LLC
 P.O. BOX 234
 RICO, COLORADO 81532
 970-768-0326
 GREGG@ALPINELANDCONSULTING.COM

SITE 66 TROUT LAKE DRIVEWAY
 DRIVEWAY PLAN AND PROFILE

CLIENT:
 JUSTIN MEYER
 JUSTIN@ROCKETSCIENCE.CC

DATE: SEPTEMBER 16, 2020

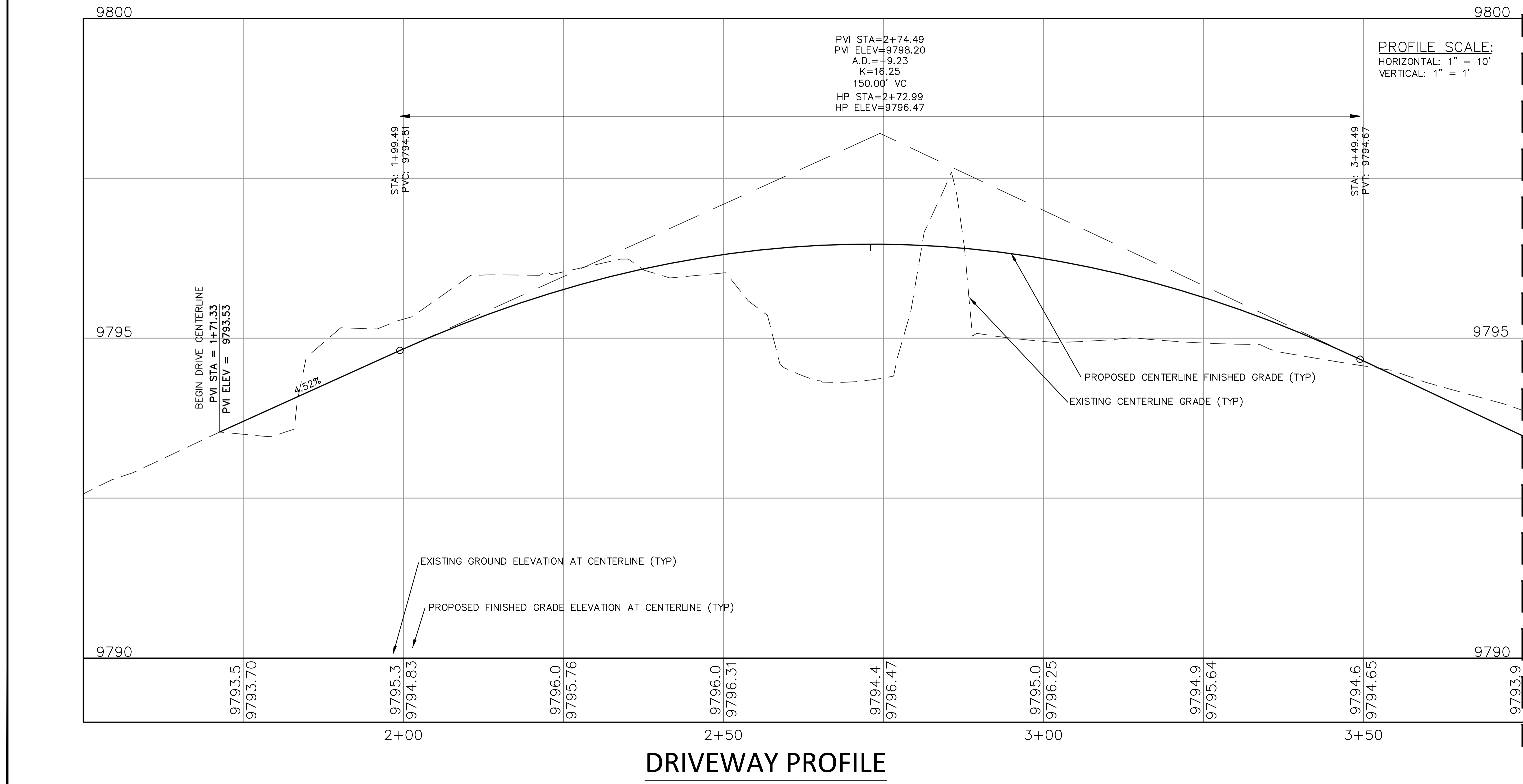
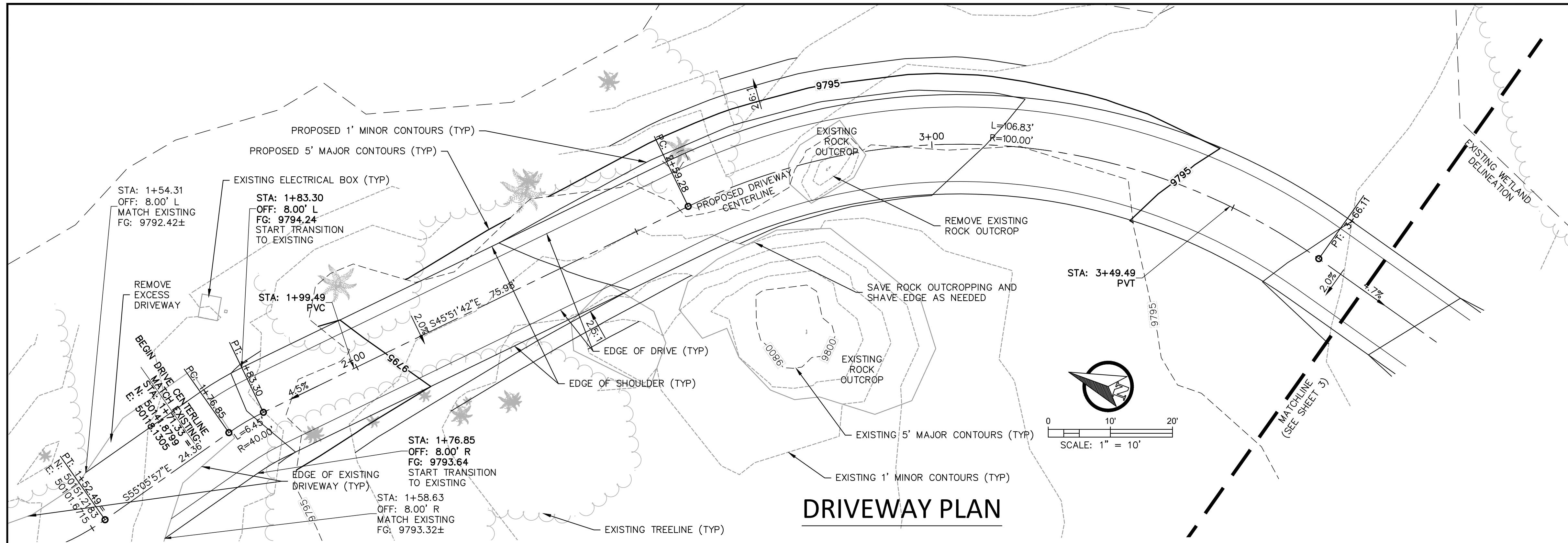
PROJECT #: 2018008

PROJECT MANAGER: GEA
 DRAWN BY: ADM

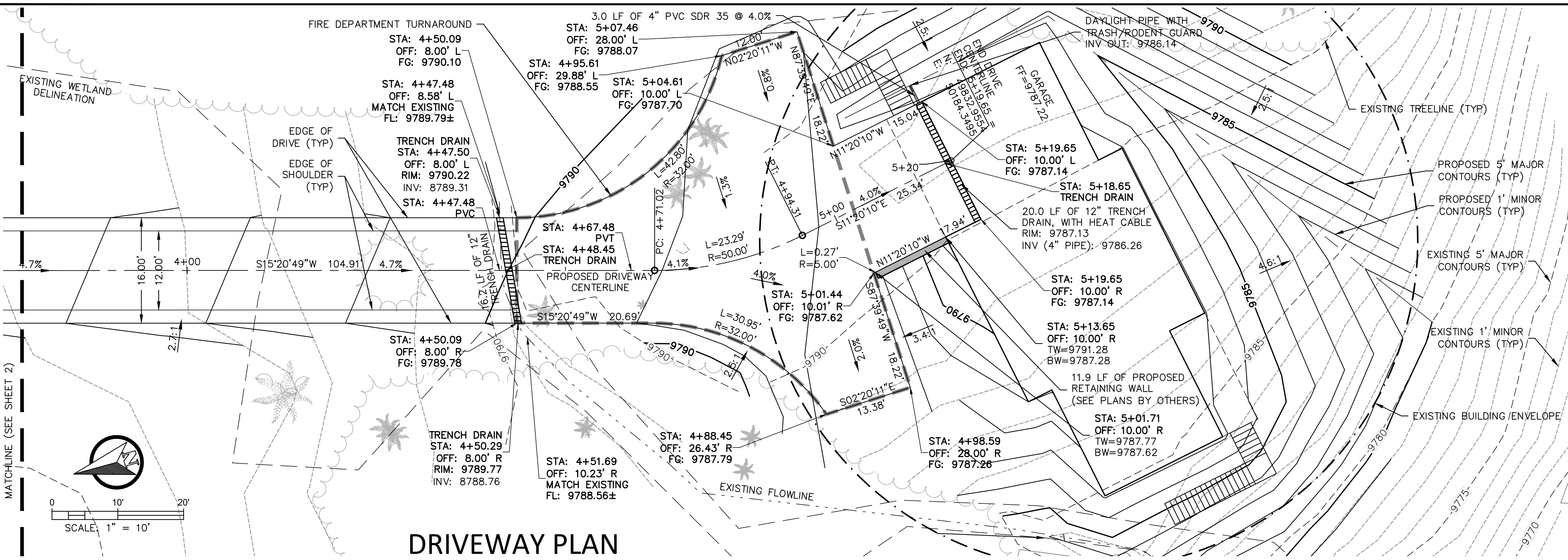
SHEET #:

2 OF 6

NO.	REVISIONS	DATE



DRIVEWAY PROFILE

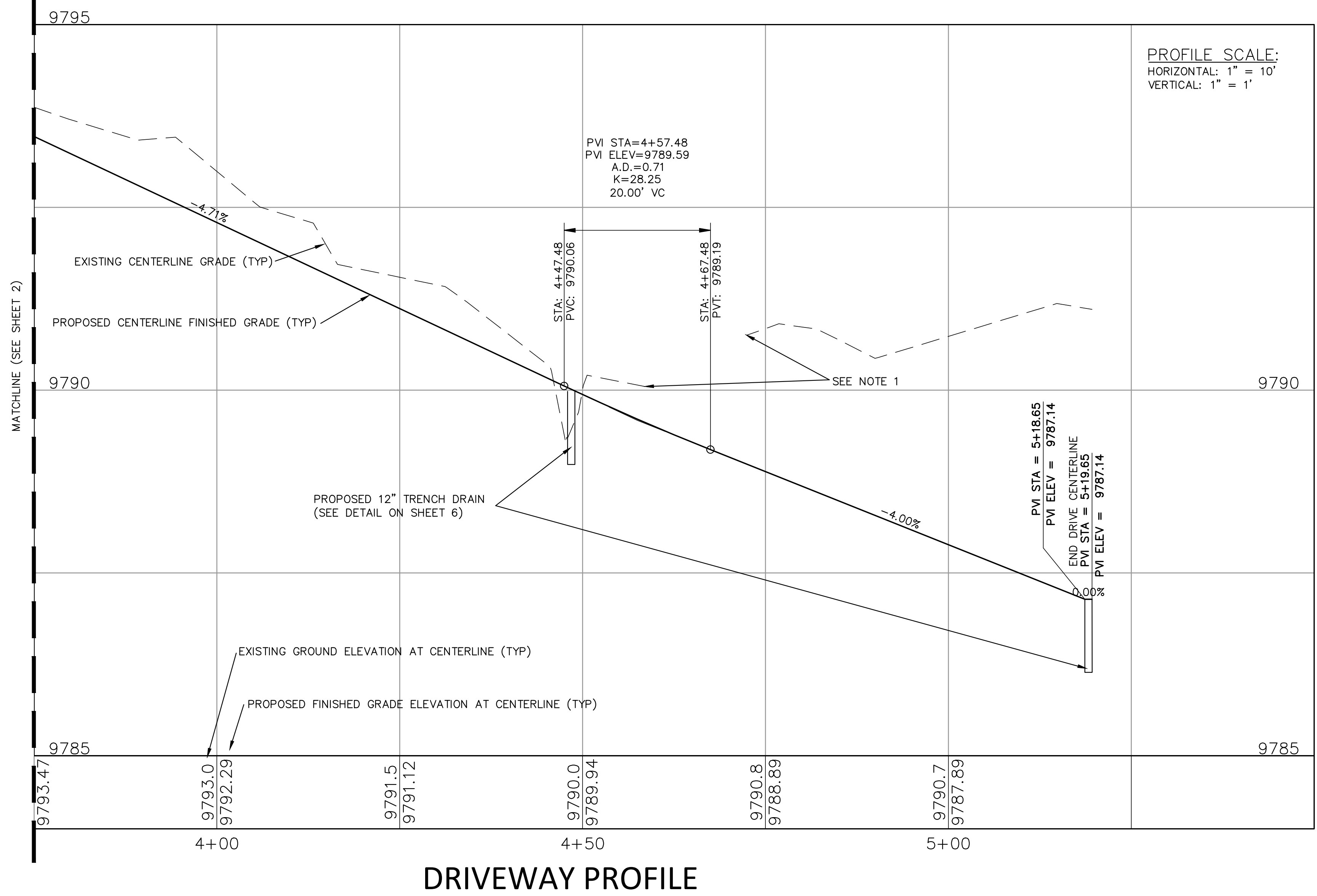


NOTES

- SOME FIELD MODIFICATIONS MAY BE REQUIRED AS THE EXISTING TOPOGRAPHIC INFORMATION PROVIDED WAS LIMITED IN SOME AREAS. CONTACT THE ENGINEER WITH ANY DISCREPANCIES TO AVOID ANY ADDITIONAL COSTS.
- MAXIMUM SLOPE GRADING IS TO BE 2.5(H):1(V).
- NO DEVELOPMENT ACTIVITY SHALL BE ALLOWED WITHIN ANY WETLAND OR BUFFER ZONE WITHOUT A WETLAND SPECIAL USE PERMIT.
- SEE PLANS BY OTHERS FOR SITE GRADING.

LEGEND

- FF = FINISHED FLOOR
- FG = FINISHED GRADE
- FL = FLOWLINE
- FL/FES = FLOWLINE/FLARED END SECTION



CALL UTILITY NOTIFICATION
 CENTER OF COLORADO
1-800-922-1987
 OR
811
 CALL 2-BUSINESS DAYS IN ADVANCE
 BEFORE YOU DIG, GRADE, OR
 EXCAVATE FOR THE MARKING OF
 UNDERGROUND MEMBER UTILITIES.



GREGORY E. ANDERSON
 COLORADO PROFESSIONAL ENGINEER
 REGISTRATION NO. 35736



**SITE 66 TROUT LAKE
 DRIVEWAY**
 DRIVEWAY PLAN AND
 PROFILE

CLIENT:
 JUSTIN MEYER
 JUSTIN@ROCKETSCIENCE.CC

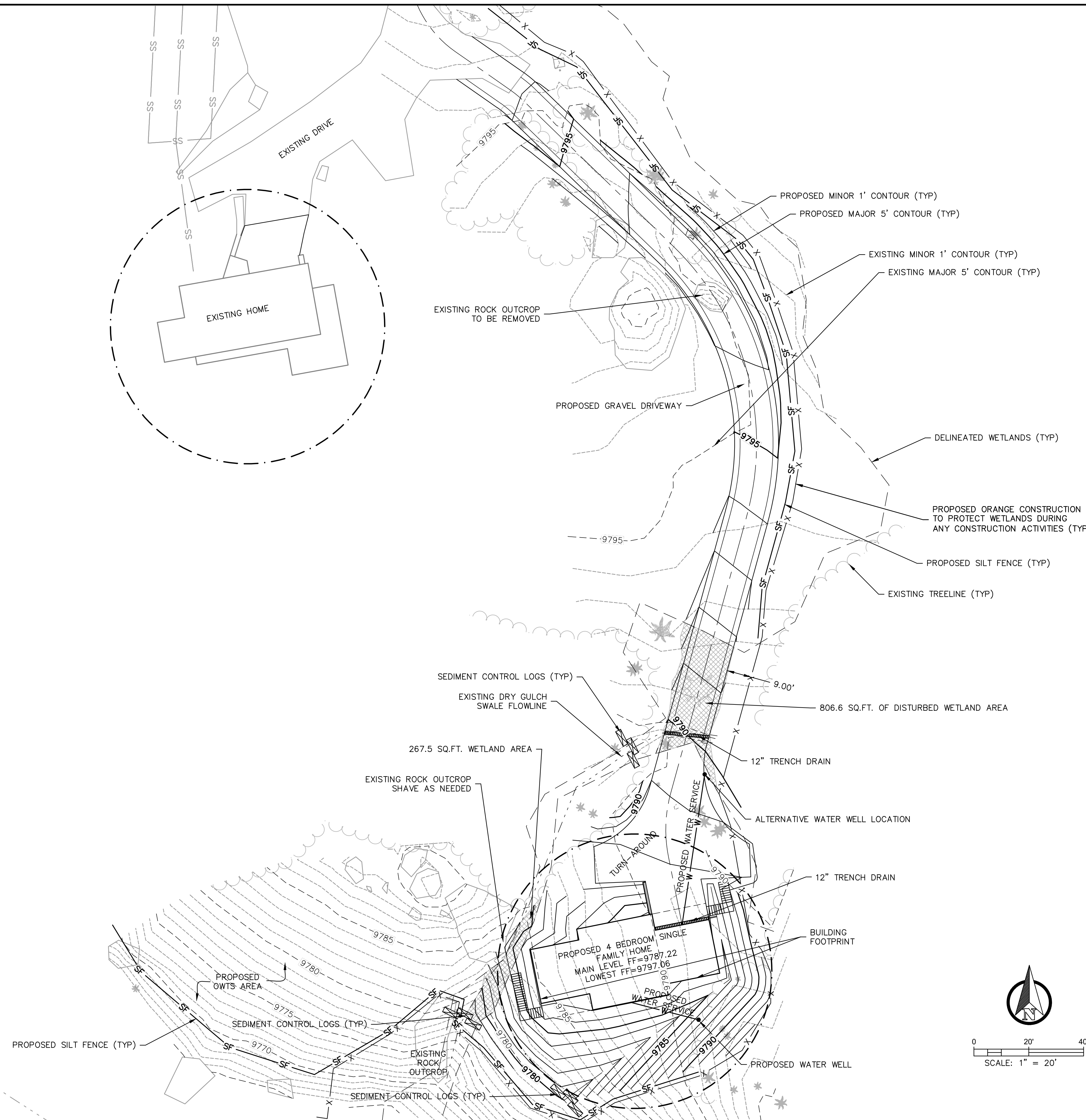
DATE: SEPTEMBER 16, 2020

PROJECT #: 2018008

PROJECT MANAGER: GEA
 DRAWN BY: ADM

SHEET #:

NO.	REVISIONS	DATE



DRAINAGE AND EROSION CONTROL PLAN

NOTES

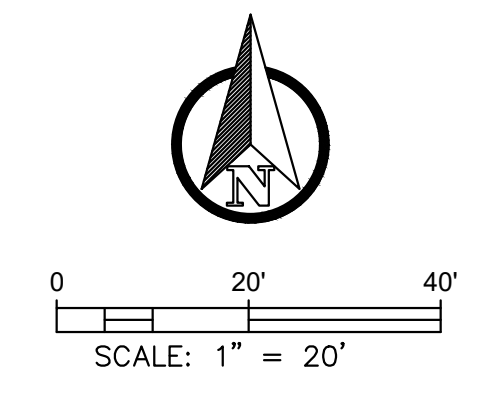
1. ALL EXISTING TOPOGRAPHIC SURVEY INFORMATION PROVIDED BY BACKCOUNTRY SURVEYING INC. SEE SHEET 1 (NOTE 9) FOR BENCHMARK INFORMATION.
2. NO DEVELOPMENT ACTIVITY SHALL BE ALLOWED WITHIN ANY WETLAND OR BUFFER ZONE WITHOUT SAN MIGUEL COUNTY AND US ARMY CORPS PERMIT.

CALL UTILITY NOTIFICATION
CENTER OF COLORADO
1-800-922-1987
OR
811
CALL 2-BUSINESS DAYS IN ADVANCE
BEFORE YOU DIG, GRADE, OR
EXCAVATE FOR THE MARKING OF
UNDERGROUND MEMBER UTILITIES.

THESE DRIVEWAY CONSTRUCTION DOCUMENTS WERE PREPARED BY ME AND UNDER MY DIRECT SUPERVISION ON BEHALF OF ALPINE LAND CONSULTING, LLC FOR JUSTIN MEYER AND INCLUDES DRIVEWAY AND CULVERT DESIGN ONLY, AND DOES NOT INCLUDE ANY OTHER PLANNING OR ENGINEERING.



GREGORY E. ANDERSON
COLORADO PROFESSIONAL ENGINEER
REGISTRATION NO. 35736



ALPINE LAND CONSULTING, LLC
P.O. BOX 234
RICO, COLORADO 81552
970-708-0326
GREGG@ALPINELANDCONSULTING.COM

SITE 66 TROUT LAKE DRIVEWAY
DRAINAGE AND EROSION CONTROL PLAN

CLIENT:
JUSTIN MEYER
JUSTIN@ROCKETSCIENCE.CC

DATE: SEPTEMBER 16, 2020

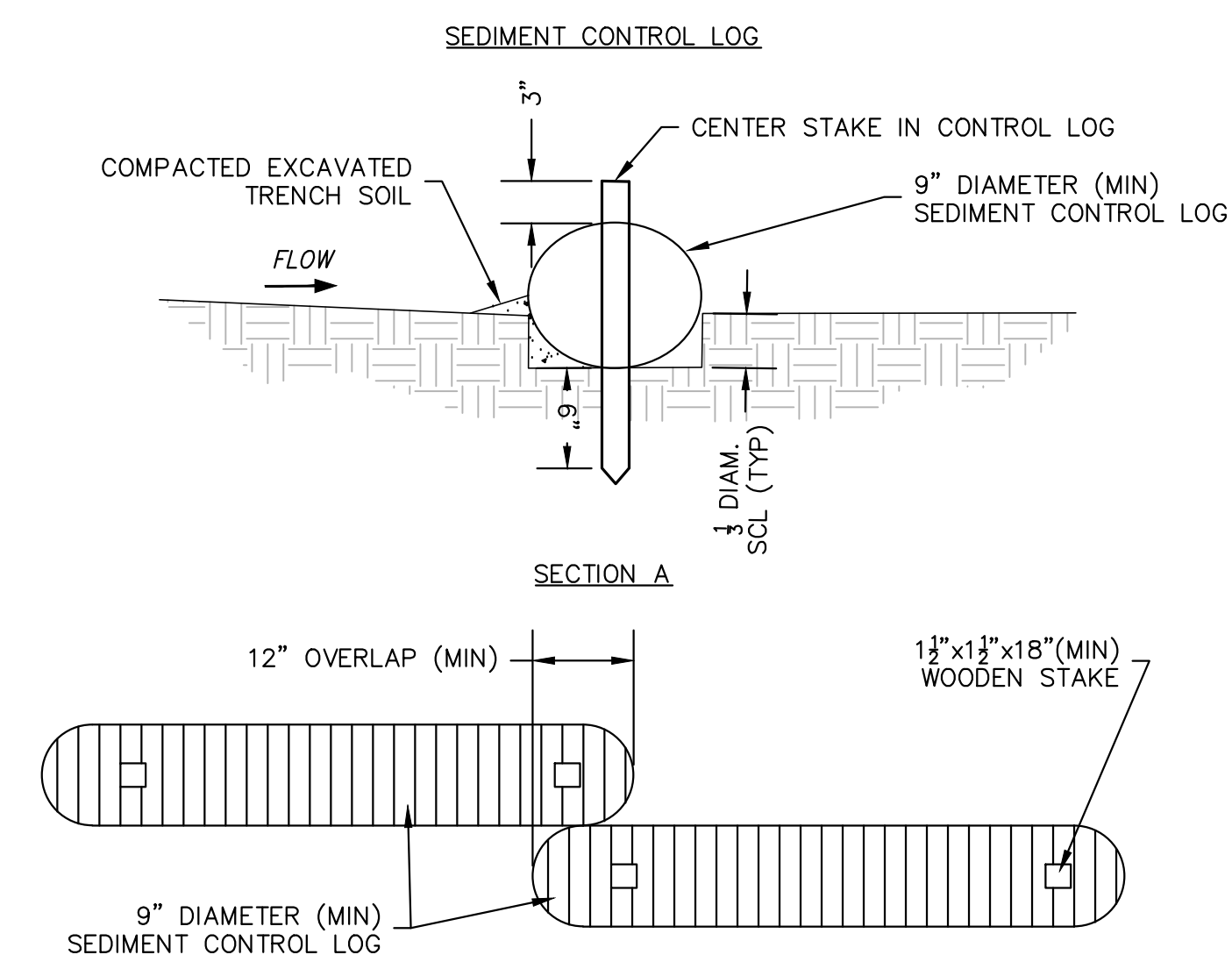
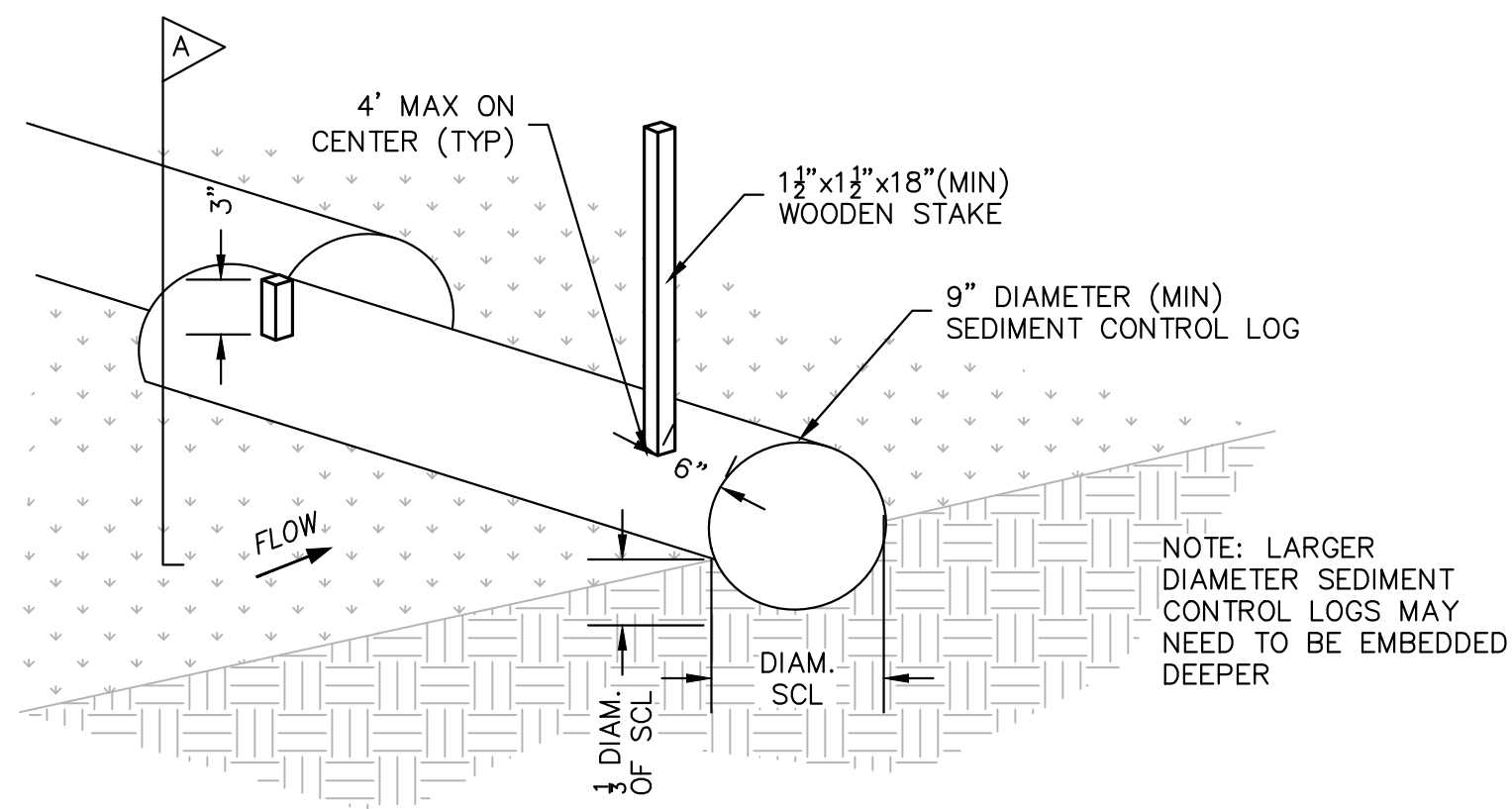
PROJECT #: 2018008

PROJECT MANAGER: GEA
DRAWN BY: ADM

SHEET #:

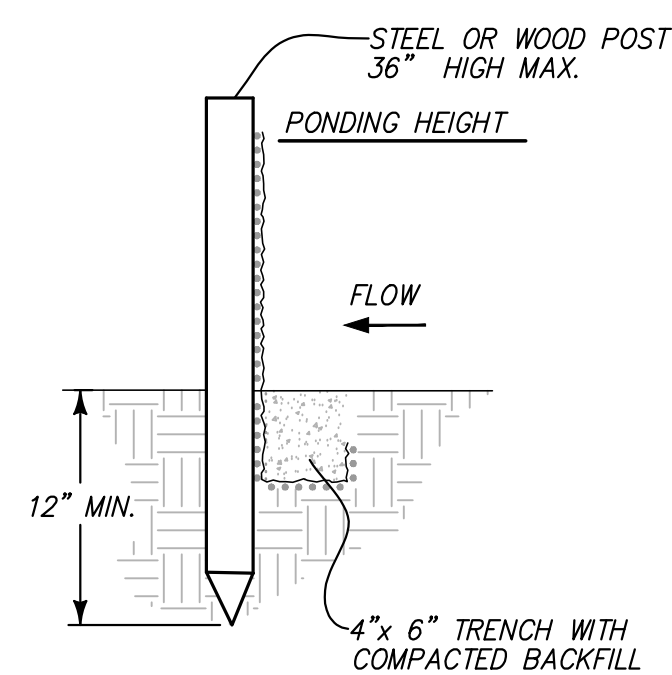
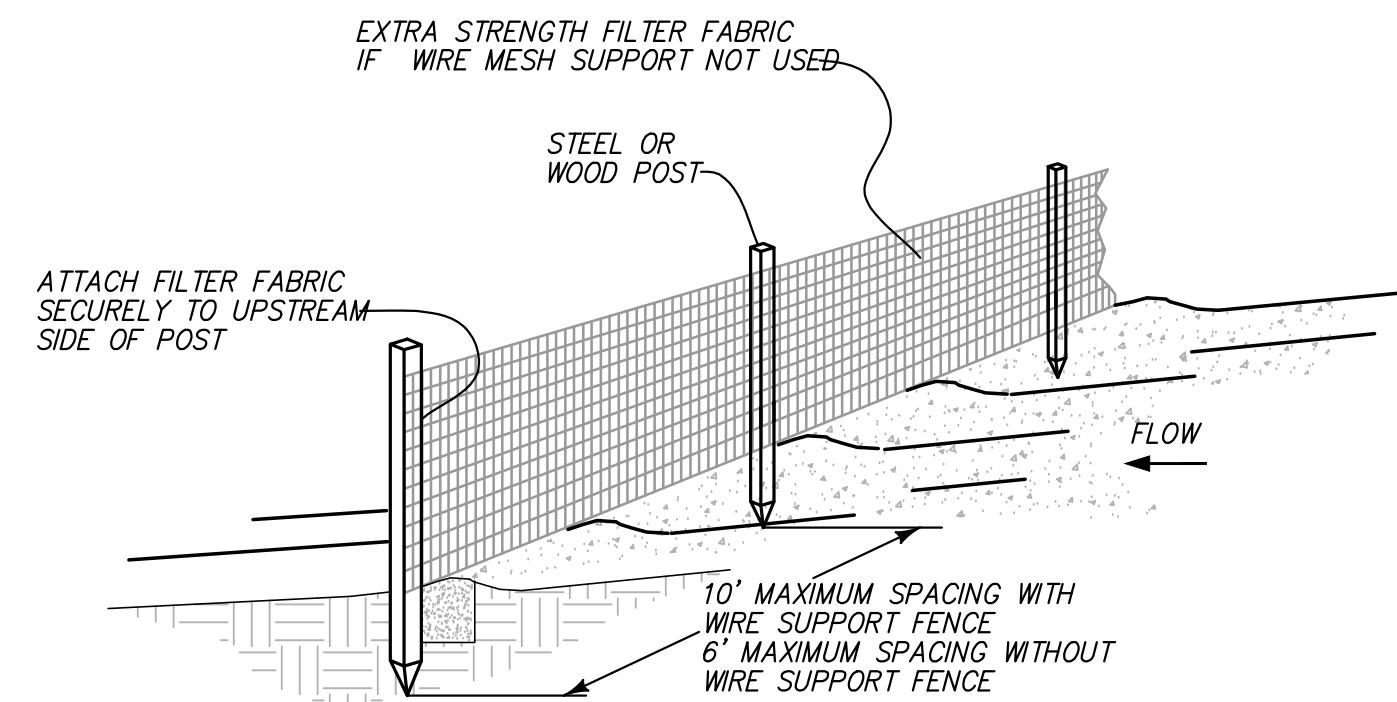
4 OF 6

NO.	REVISIONS	DATE



SEDIMENT CONTROL LOGS

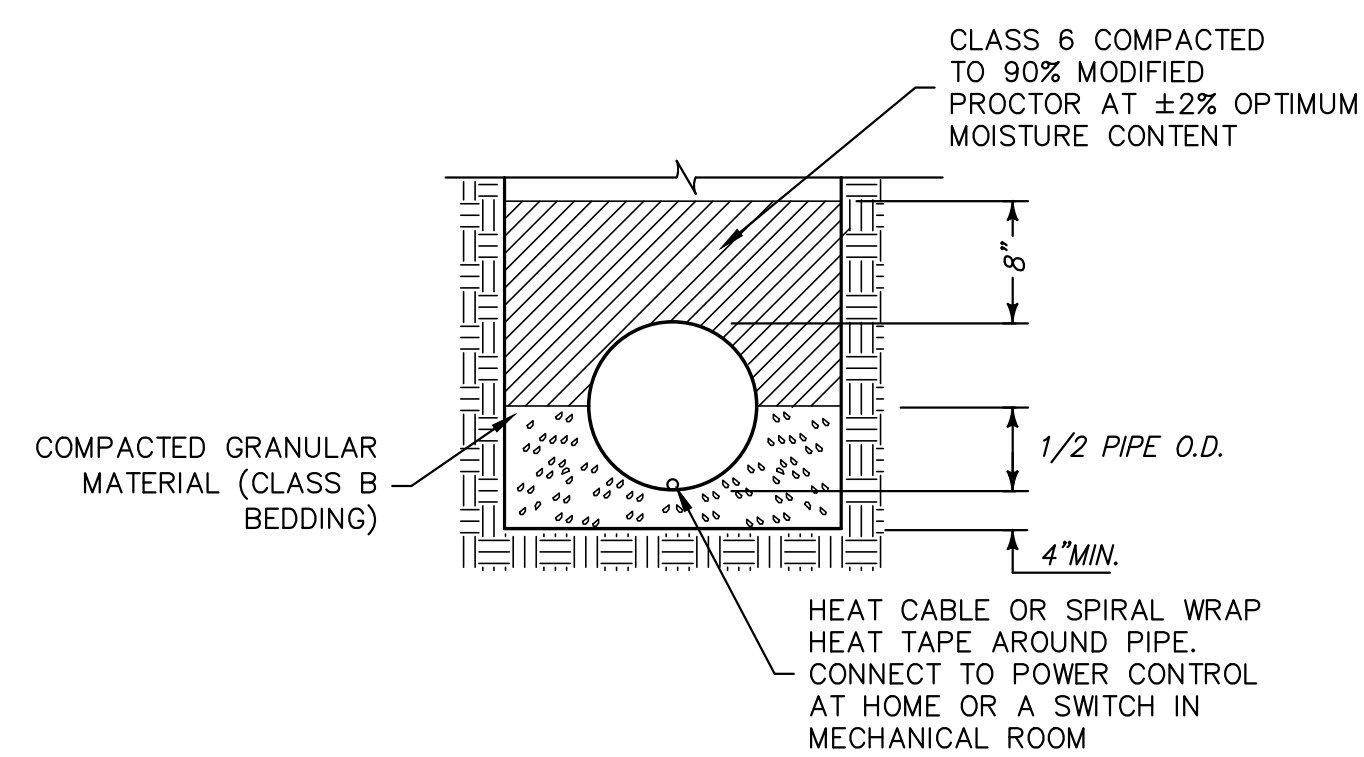
NTS



SILT FENCE DETAIL

NTS

- NOTES:**
1. SILT FENCE SHALL BE PLACED ON SLOPE CONTOURS TO MAXIMIZE PONDING EFFICIENCY.
 2. INSPECT AND REPAIR FENCE AFTER EACH STORM EVENT AND REMOVE SEDIMENT WHEN NECESSARY. 9" MAXIMUM RECOMMENDED STORAGE HEIGHT.
 3. REMOVED SEDIMENT SHALL BE DEPOSITED TO AN AREA THAT WILL NOT CONTRIBUTE SEDIMENT OFF-SITE AND CAN BE PERMANENTLY STABILIZED.



TYPICAL DRAIN PIPE BEDDING

NTS

Part No.	Description	Color	Pkg. Qty.	Wt. Ea. (lbs.)	Product Class	Specifications
844	12" Deep Profile End Cap/ 4" S&D SPT Knock Out End Outlet*	Light Gray	1	1.60	25IN	NDS #844, 12" Wide Deep Profile high impact PVC End Cap/End Outlet.

Part No.	Description	Color	Pkg. Qty.	Wt. Ea. (lbs.)	Product Class	Specifications
847	12" x 20" Light Traffic Channel Grate*	Gray	1	4.64	25IN	NDS #847, 12" Wide UV protected high impact PVC light traffic channel grate. Open surface area 48.77 square inch/foot. 63.89 GPM per foot.

Part No.	Description	Color	Pkg. Qty.	Wt. Ea. (lbs.)	Product Class	Specifications
843	12" x 20" Deep Profile Channel Drain*	Light Gray	1	6.00	25IN	NDS #843, 12" Wide Deep Profile UV protected high impact PVC channel drain with mechanical interlocking joints.

TRENCH DRAIN

NTS

CALL UTILITY NOTIFICATION CENTER OF COLORADO
1-800-922-1987
 OR
811
 CALL 2-BUSINESS DAYS IN ADVANCE BEFORE YOU DIG, GRADE, OR EXCAVATE FOR THE MARKING OF UNDERGROUND MEMBER UTILITIES.

THESE DRIVEWAY CONSTRUCTION DOCUMENTS WERE PREPARED BY ME AND UNDER MY DIRECT SUPERVISION ON BEHALF OF ALPINE LAND CONSULTING, LLC FOR JUSTIN MEYER AND INCLUDES DRIVEWAY AND CULVERT DESIGN ONLY, AND DOES NOT INCLUDE ANY OTHER PLANNING OR ENGINEERING.



GREGORY E. ANDERSON
 COLORADO PROFESSIONAL ENGINEER
 REGISTRATION NO. 35736

ALPINE LAND CONSULTING, LLC
 P.O. BOX 234
 RICO, COLORADO 81552
 970-708-0326
 GREGG@ALPINELANDCONSULTING.COM

SITE 66 TROUT LAKE DRIVEWAY
 DETAILS

CLIENT:
 JUSTIN MEYER
 JUSTIN@ROCKETSCIENCE.CC

DATE: SEPTEMBER 16, 2020

PROJECT #: 2018008

PROJECT MANAGER: GEA
 DRAWN BY: ADM

SHEET #:
6 OF 6

NO.	REVISIONS	DATE